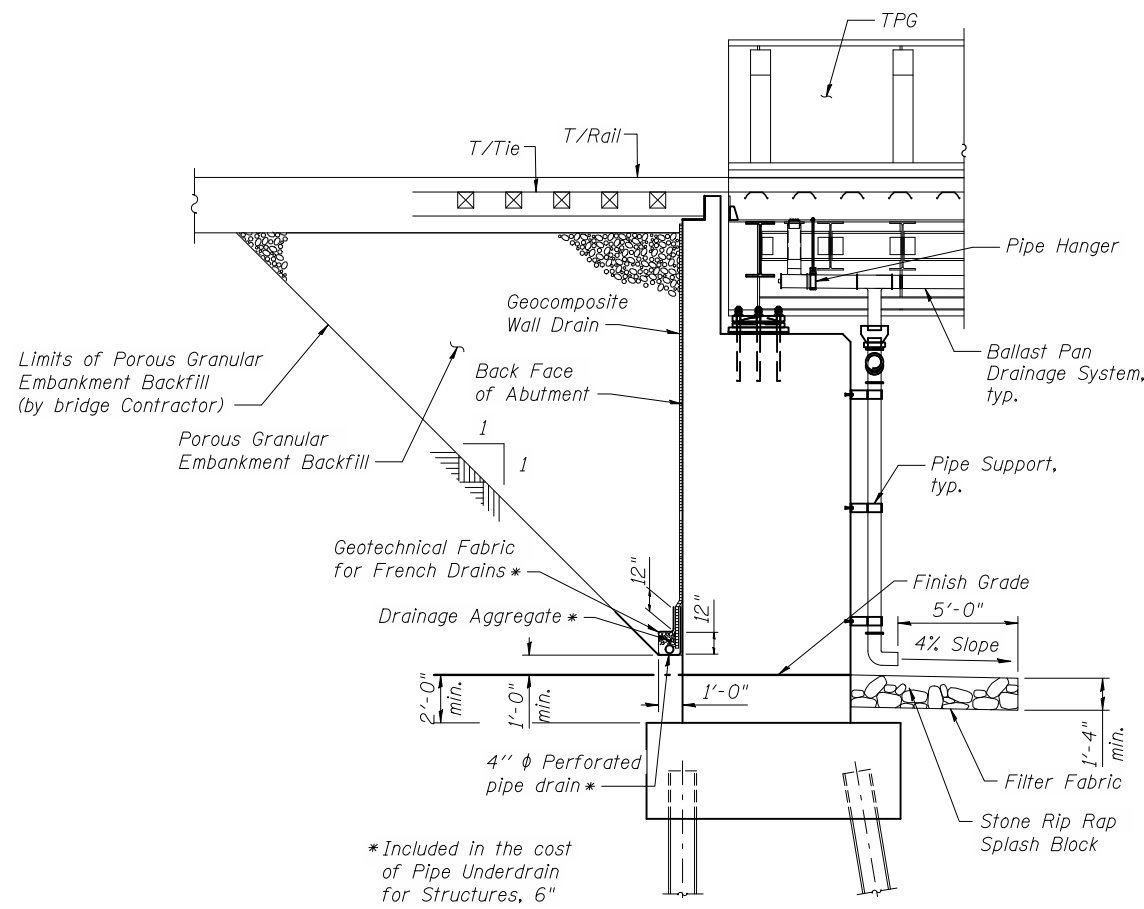
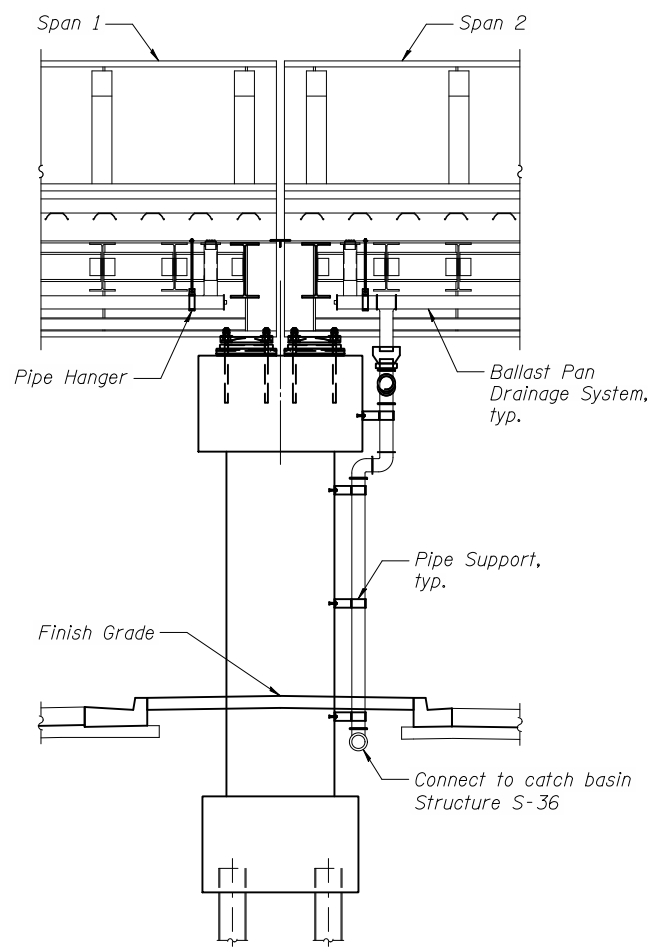


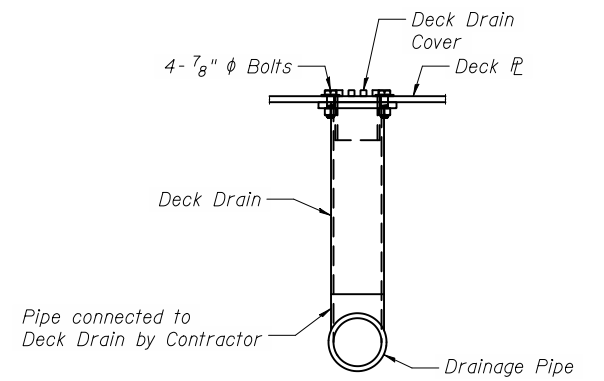
11/2/2012 11:25:10 AM
 c:\pwworking\oma\0463409\0220226-60842-025-DRD.DGN
 jmgus



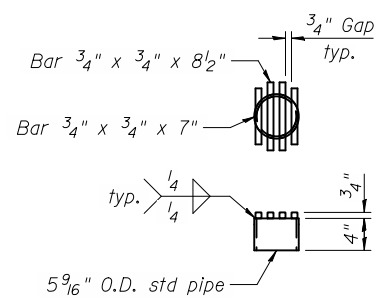
DRAINAGE AT SOUTH ABUTMENT



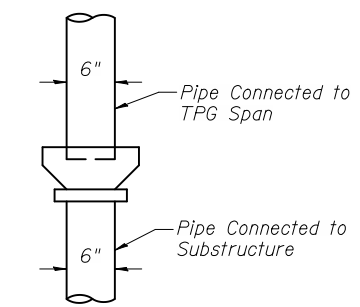
DRAINAGE AT PIER



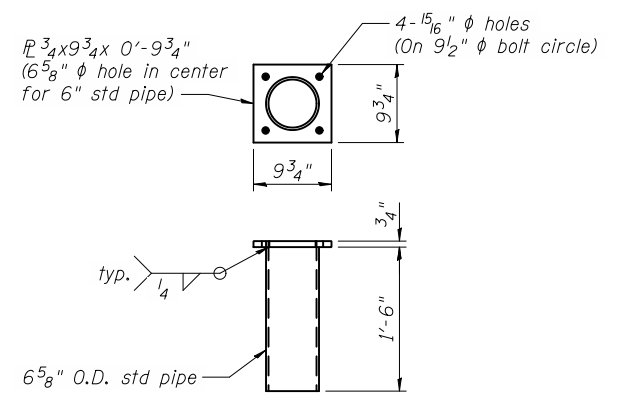
DECK DRAIN CONNECTION DETAIL



DECK DRAIN COVER DETAIL



DETAIL 1



DECK DRAIN DETAIL



USER NAME = jmgus	DESIGNED - AMM	REVISED -
FILE NAME = 0220226-60842-025-DRD.DGN	CHECKED - LAG	REVISED -
PLOT SCALE = NONE	DRAWN - RMA	REVISED -
PLOT DATE = 11/2/2012	CHECKED - AMM	REVISED -

**STATE OF ILLINOIS
 DEPARTMENT OF TRANSPORTATION**

**DRAINAGE DETAILS
 STRUCTURE NO. 022-0226**

SHEET NO. 25 OF 43 SHEETS

F.A.U. RTE.	SECTION	COUNTY	TOTAL SHEETS	SHEET NO.
1321	32VB	DU PAGE	388	166
CONTRACT NO. 60W01				
ILLINOIS FED. AID PROJECT				