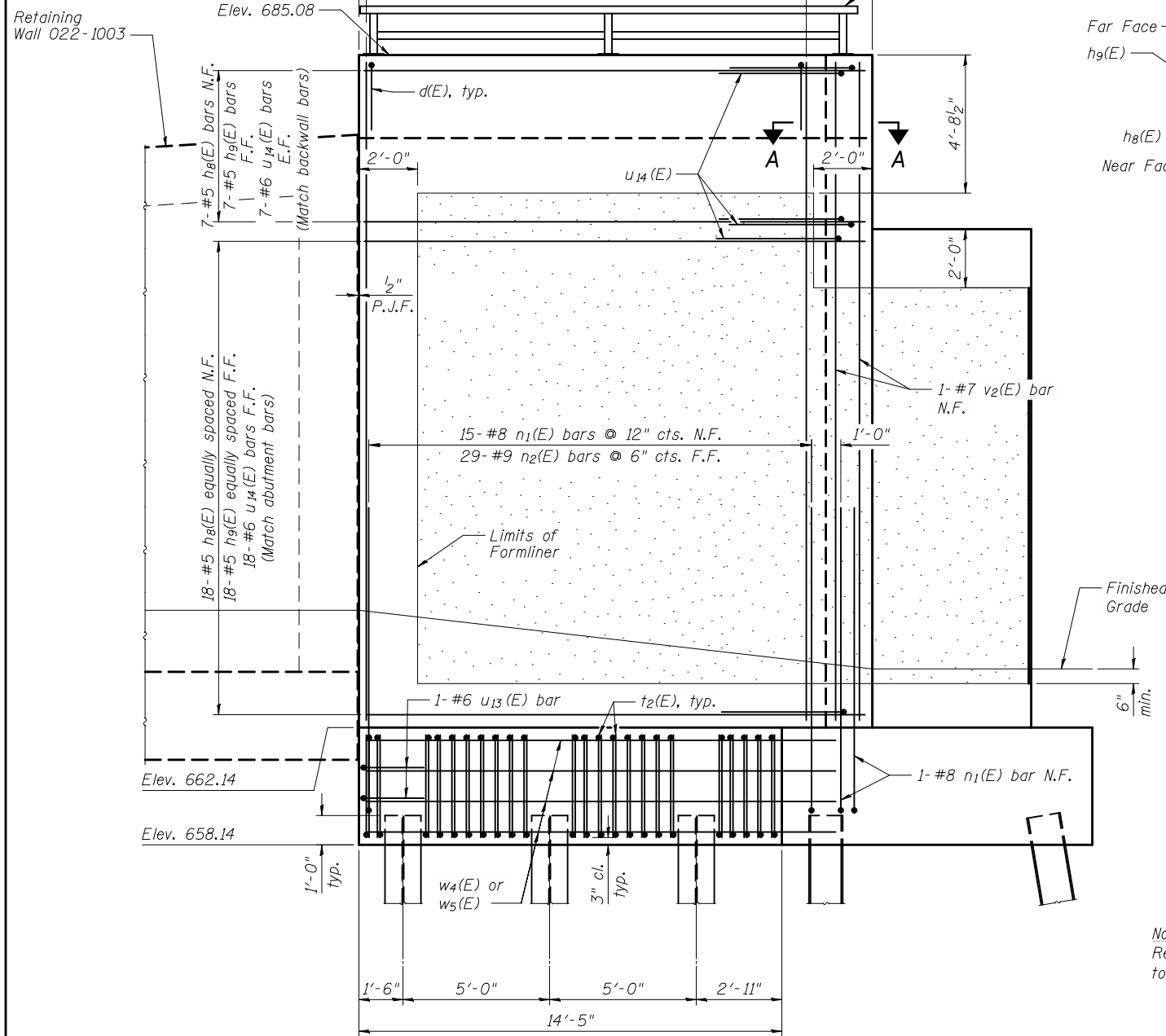


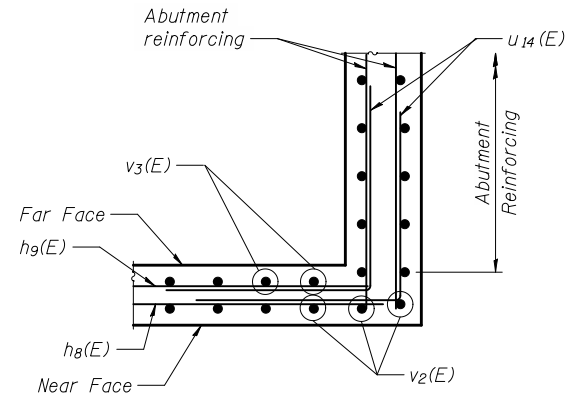
ca:\pwworking\oma\0463409\0220226-60842-028-ABD.DGN  
jmlgus

11/2/2012  
11:25:32 AM



**SOUTH ABUTMENT EAST WINGWALL ELEVATION**

Abutment footing, stem and backwall reinforcing not shown for clarity

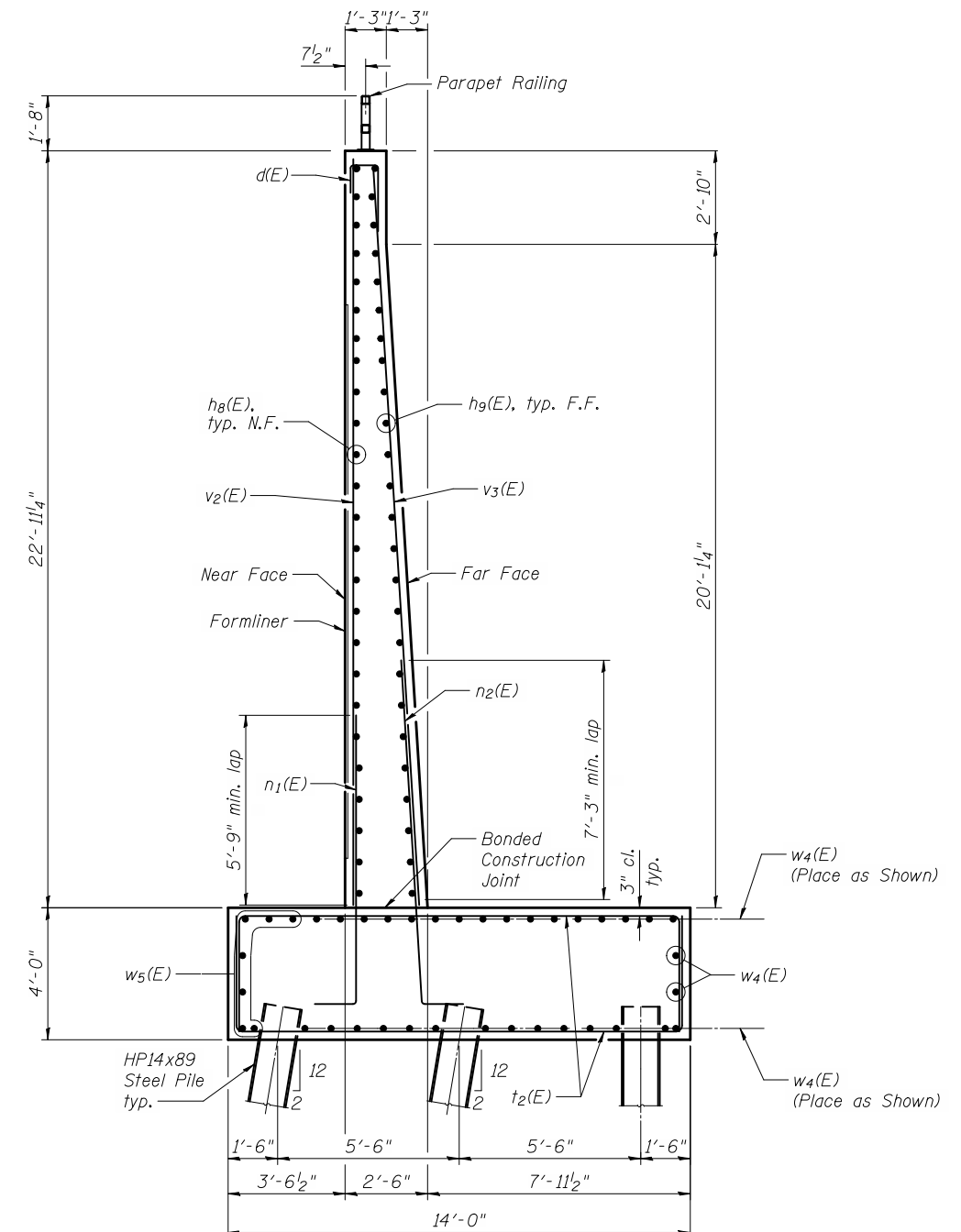


**SECTION A-A**

d(E) bars not shown

Note:  
N.F. = Near Face  
F.F. = Far Face

Note:  
Reinforcing clear cover may be reduced to 2" min. at formliner.



**SOUTH ABUTMENT EAST WINGWALL SECTION**



USER NAME = jmlgus  
FILE NAME = 0220226-60842-028-ABD.DGN  
PLOT SCALE = NONE  
PLOT DATE = 11/2/2012

DESIGNED - AMM  
CHECKED - LAG  
DRAWN - RMA  
CHECKED - AMM

REVISED -  
REVISED -  
REVISED -  
REVISED -

STATE OF ILLINOIS  
DEPARTMENT OF TRANSPORTATION

SOUTH ABUTMENT EAST WINGWALLS DETAILS  
STRUCTURE NO. 022-0226

SHEET NO. 28 OF 43 SHEETS

F.A.U. RTE.	SECTION	COUNTY	TOTAL SHEETS	SHEET NO.
1321	32VB	DU PAGE	388	169
CONTRACT NO. 60W01				

ILLINOIS FED. AID PROJECT