

11/2/2012 11:25:39 AM  
 c:\pwworking\oma\0463409\0220226-60842-029-ABD.DGN  
 jmlgus



USER NAME = jmlgus  
 FILE NAME = 0220226-60842-029-ABD.DGN  
 PLOT SCALE = NONE  
 PLOT DATE = 11/2/2012

DESIGNED - AMM  
 CHECKED - LAG  
 DRAWN - RMA  
 CHECKED - AMM

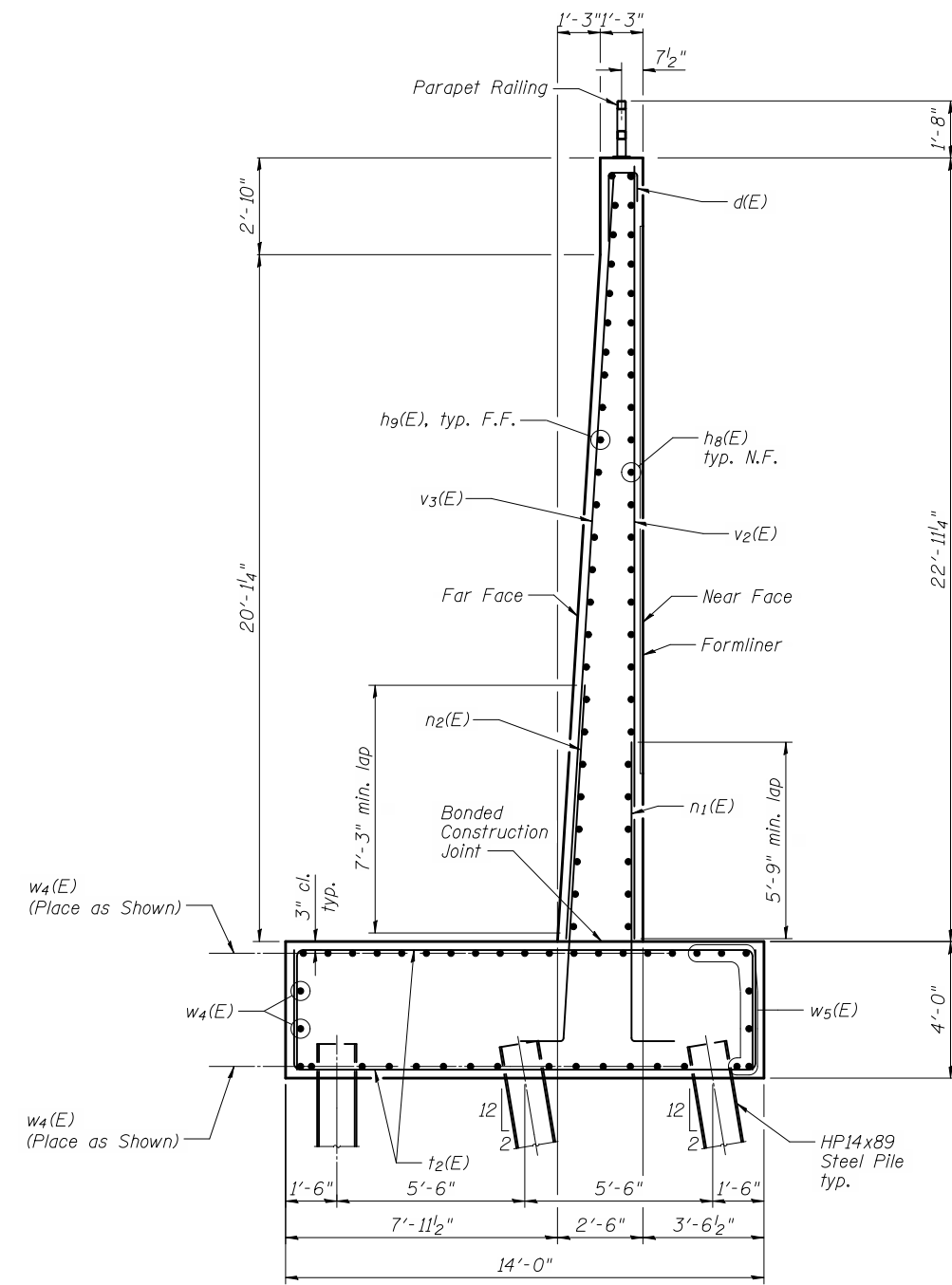
REVISED -  
 REVISED -  
 REVISED -  
 REVISED -

STATE OF ILLINOIS  
 DEPARTMENT OF TRANSPORTATION

SOUTH ABUTMENT WEST WINGWALLS DETAILS  
 STRUCTURE NO. 022-0226

SHEET NO. 29 OF 43 SHEETS

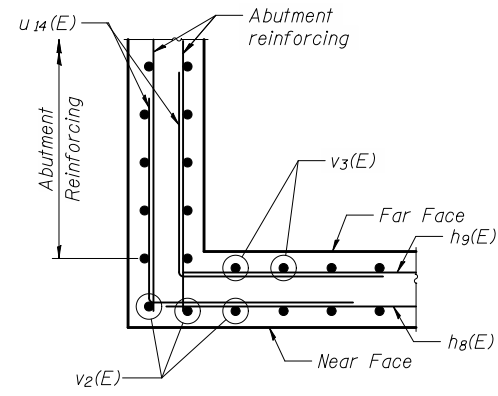
F.A.U. RTE.	SECTION	COUNTY	TOTAL SHEETS	SHEET NO.
1321	32VB	DU PAGE	388	170
CONTRACT NO. 60W01				
ILLINOIS FED. AID PROJECT				



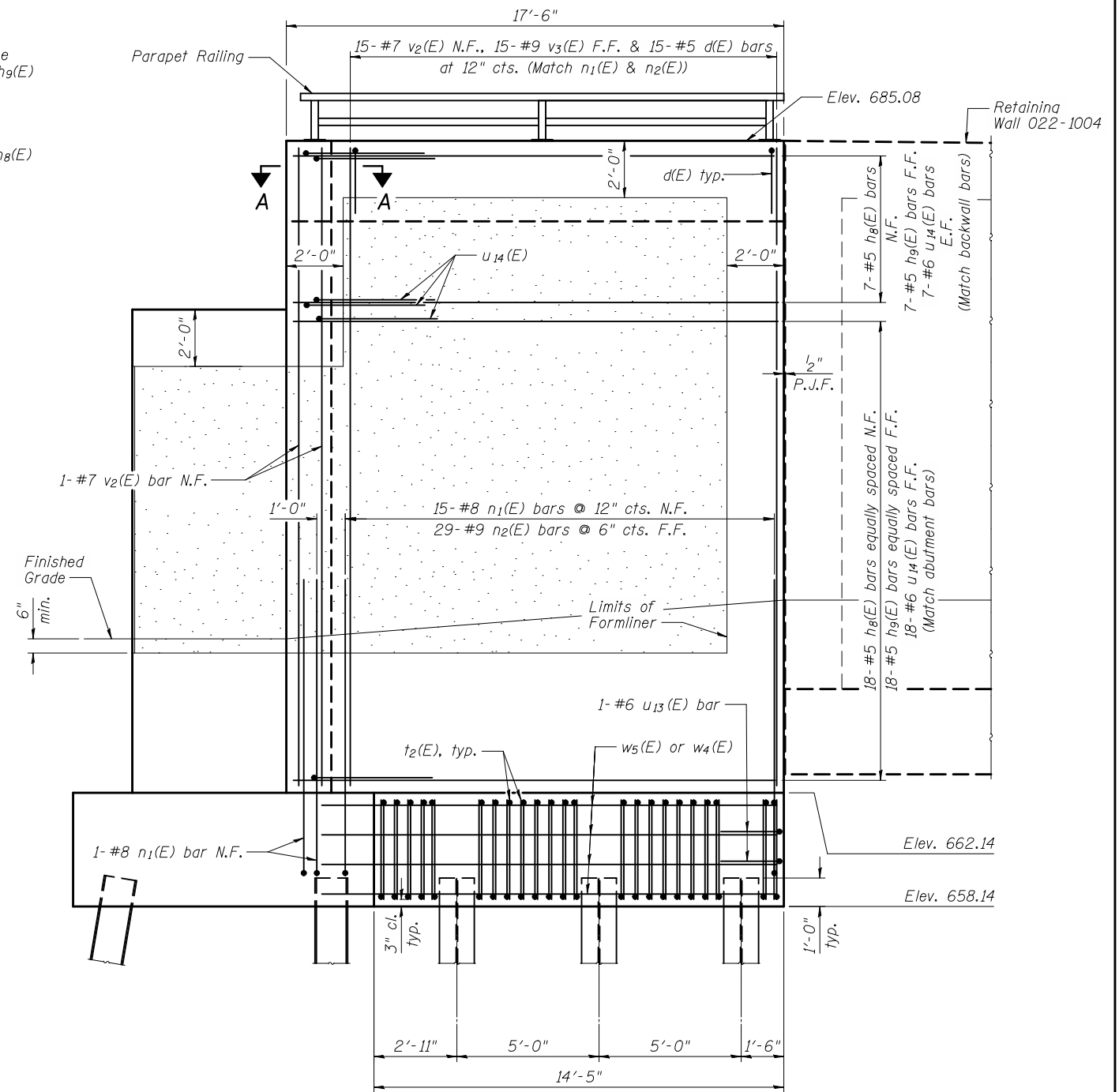
**SOUTH ABUTMENT WEST WINGWALL SECTION**

Note:  
 N.F. = Near Face  
 F.F. = Far Face

Note:  
 Reinforcing clear cover may be reduced to 2" min. at formliner.



**SECTION A-A**  
 d(E) bars not shown



**SOUTH ABUTMENT WEST WINGWALL ELEVATION**

Abutment footing, stem and backwall reinforcing not shown for clarity