

**N. ABUTMENT
BILL OF MATERIAL**

Bar	No.	Size	Length	Shape
d(E)	30	#5	3'-7"	┐
h ₁ (E)	40	#5	38'-0"	—
h ₂ (E)	74	#5	43'-0"	—
h ₃ (E)	8	#5	13'-10"	—
h ₄ (E)	4	#5	5'-5"	┘
h ₅ (E)	4	#5	3'-11"	—
h ₆ (E)	2	#5	11'-6"	┘
h ₇ (E)	2	#5	8'-4"	—
h ₈ (E)	54	#5	17'-0"	—
h ₉ (E)	54	#5	16'-3"	—
h ₁₀ (E)	2	#5	18'-2"	—

PILE DATA

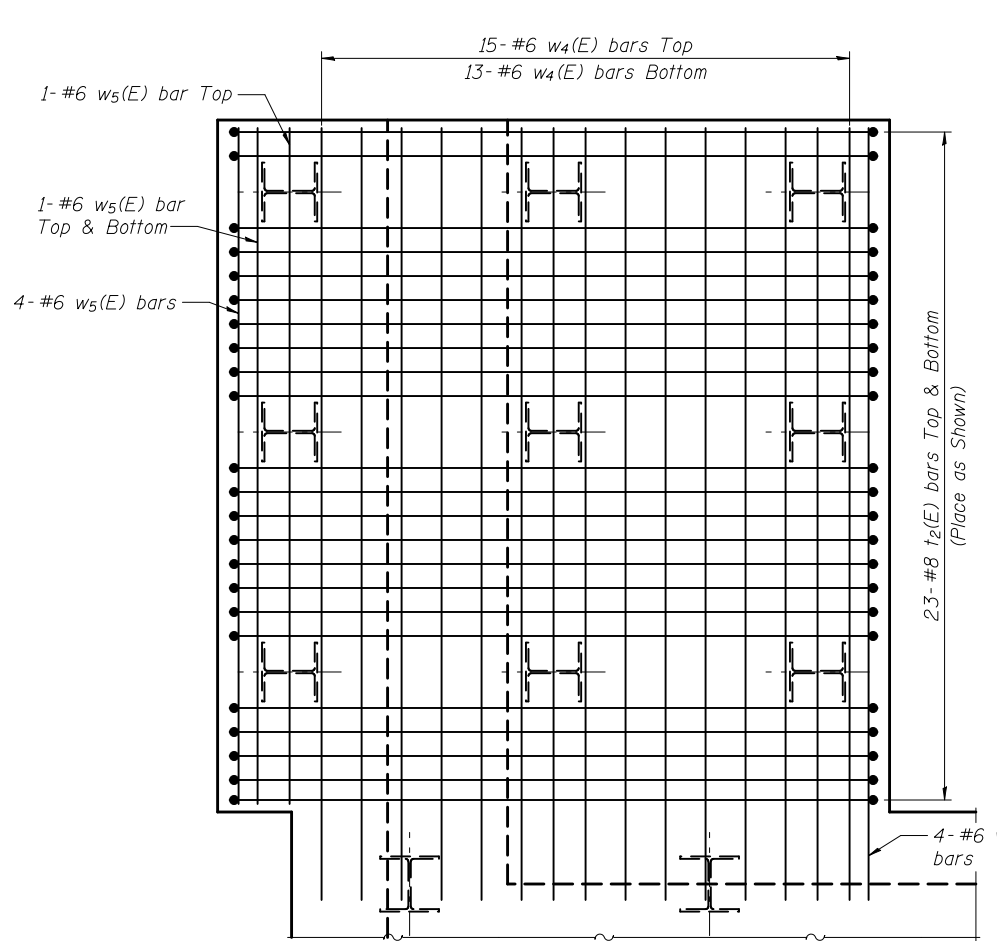
Type: HP14x89
 Pile Cutoff Elev.: 658.06
 Min. Pile Tip Elev.: 589.06
 Est. Pile Length: 69'
 Required Resistance: 270 kips
 Allowable Resistance Available: 135 kips
 No. Piles: 45+1 Test Pile

- Notes:**
- All piles must be driven to the minimum tip elevation shown. At the minimum tip elevation, driving shall be continued until the required resistance is achieved. "Required resistance" is equivalent to "nominal required bearing" in the IDOT Standard Specifications. The nominal driven bearing, as determined by the pile driving formula specified in Art. 512.14 of the IDOT Standard Specifications and modified by the Special Provisions, must be greater than or equal to the required resistance shown.
 - In addition to meeting the minimum tip elevation requirements of Note 1, piles shall be driven to fractured rock. If fractured rock is encountered above the minimum tip elevation, the piles may be terminated after driving 2'-0" into the fractured rock.

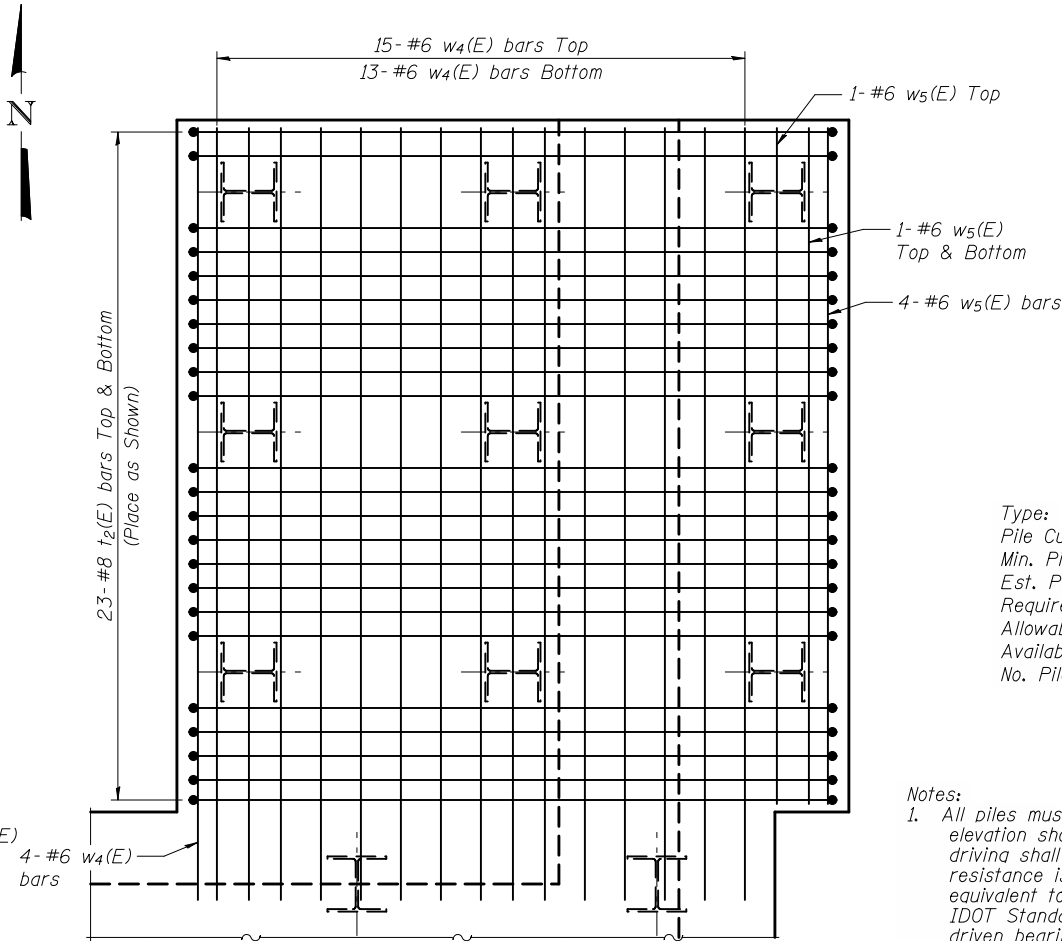
n ₁ (E)	116	#8	10'-2"	L
n ₂ (E)	58	#9	12'-3"	L
n ₃ (E)	163	#9	11'-11"	L
s ₂ (E)	36	#8	8'-4"	┘
t ₁ (E)	194	#6	16'-11"	┐
t ₂ (E)	92	#8	20'-4"	┐
u ₃ (E)	40	#5	12'-7"	┘
u ₄ (E)	72	#6	10'-6"	┘
u ₅ (E)	2	#6	9'-7"	┘
u ₆ (E)	2	#6	8'-7"	┘
u ₇ (E)	2	#6	7'-7"	┘
u ₈ (E)	2	#6	6'-7"	┘
u ₉ (E)	2	#6	5'-7"	┘
u ₁₀ (E)	4	#6	13'-11"	┘
u ₁₁ (E)	44	#7	19'-6"	┘
u ₁₂ (E)	38	#7	16'-0"	┘
u ₁₃ (E)	4	#6	17'-4"	┘
u ₁₄ (E)	68	#6	5'-0"	L
v ₅ (E)	30	#6	2'-6"	—
v ₆ (E)	82	#8	18'-6"	—
v ₇ (E)	34	#7	22'-5"	—
v ₈ (E)	30	#9	24'-5"	—
v ₉ (E)	82	#9	18'-6"	—
w ₂ (E)	30	#8	45'-0"	—
w ₃ (E)	8	#6	45'-0"	—
w ₄ (E)	64	#6	16'-0"	—
w ₅ (E)	14	#6	13'-11"	—

Structural Excavation	Cu. Ft.	424
Form Liner Textured Surface	Sq. Ft.	1,911
Reinforcing Bars, Epoxy Coated	Pounds	54,840
Parapet Railing	Foot	61
Furnishing Steel Piles HP14X89	Foot	3,174
Driving Piles	Foot	3,174
Test Pile Steel HP14X89	Each	1
Concrete Sealer	Sq. Ft.	2,048
Geocomposite Wall Drain	Sq. Yd.	204
Concrete Structure CPR Special	Cu. Yd.	656.3

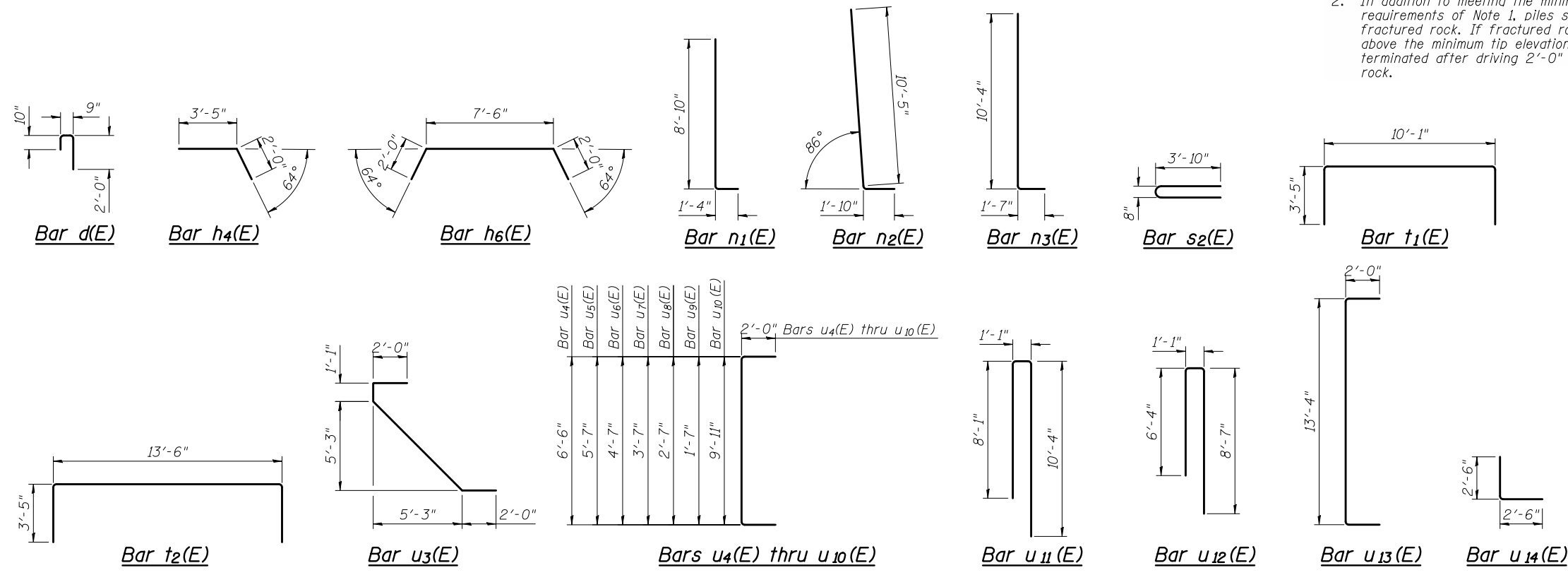
Bars indicated thus 6 x 2-#6 etc. indicates 6 lines of bars with 2 lengths per line.



WEST WINGWALL FOOTING REINFORCING PLAN
 Abutment and Wingwall Reinforcing not shown for clarity



EAST WINGWALL FOOTING REINFORCING PLAN
 Abutment and Wingwall Reinforcing not shown for clarity



c:\pwworking\oma\d0463409\0220226-60842-035-ABD.DGN jmlgus

11/2/2012 11:26:23 AM



USER NAME = jmlgus	DESIGNED - AMM	REVISED -
FILE NAME = 0220226-60842-035-ABD.DGN	CHECKED - LAG	REVISED -
PLOT SCALE = NONE	DRAWN - RMA	REVISED -
PLOT DATE = 11/2/2012	CHECKED - AMM	REVISED -

**STATE OF ILLINOIS
DEPARTMENT OF TRANSPORTATION**

**NORTH ABUTMENT WINGWALL FOOTING PLANS
STRUCTURE NO. 022-0226**

SHEET NO. 35 OF 43 SHEETS

F.A.U. RTE.	SECTION	COUNTY	TOTAL SHEETS	SHEET NO.
1321	32VB	DU PAGE	388	176
CONTRACT NO. 60W01				
ILLINOIS FED. AID PROJECT				