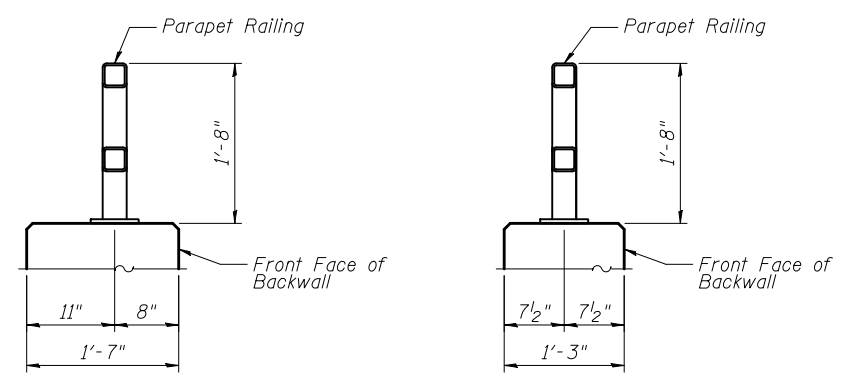
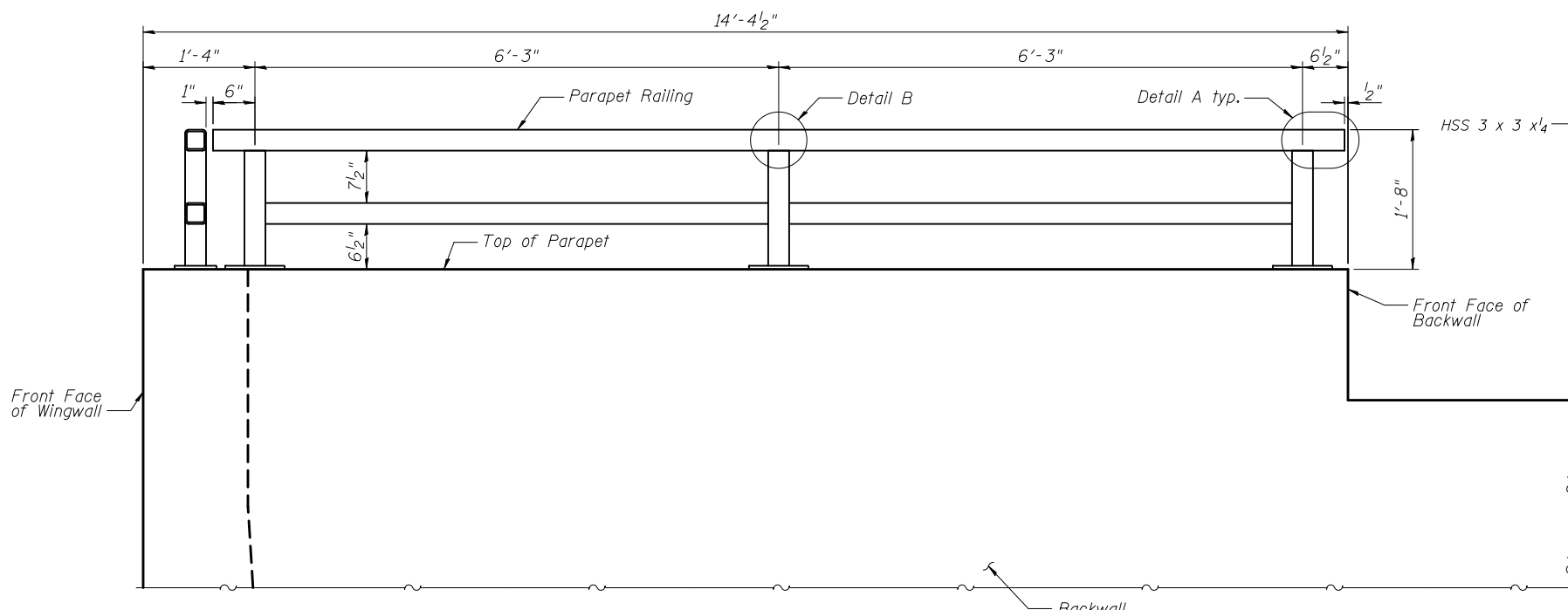


**SECTION A-A**

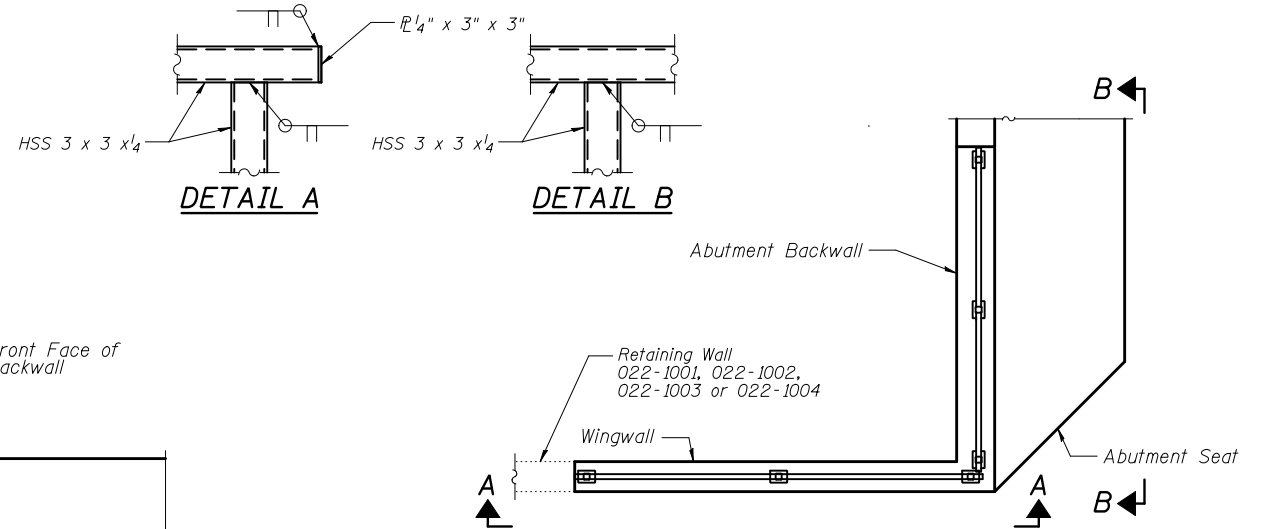


**SECTION THRU BACKWALL**

**SECTION THRU WINGWALL**



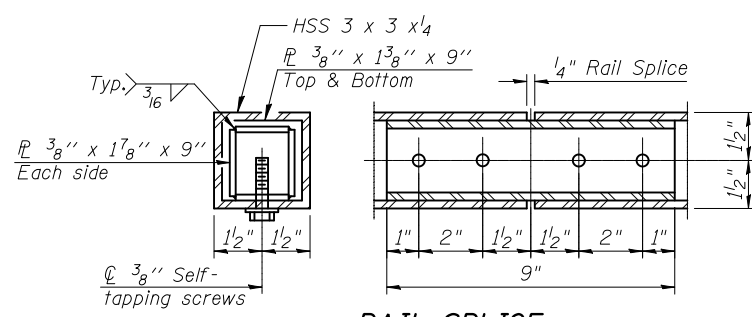
**SECTION B-B**



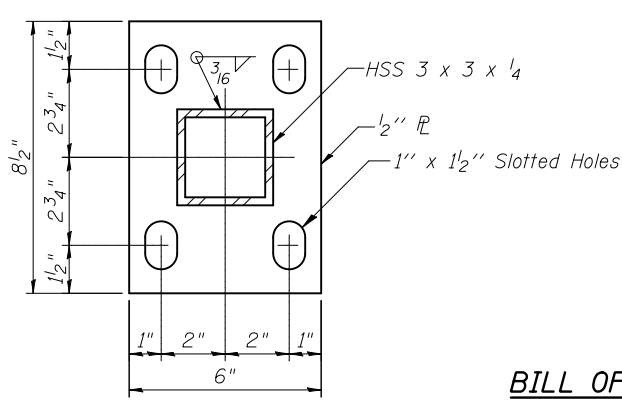
**DETAIL A**

**DETAIL B**

**TYPICAL PARAPET RAILING PLAN**



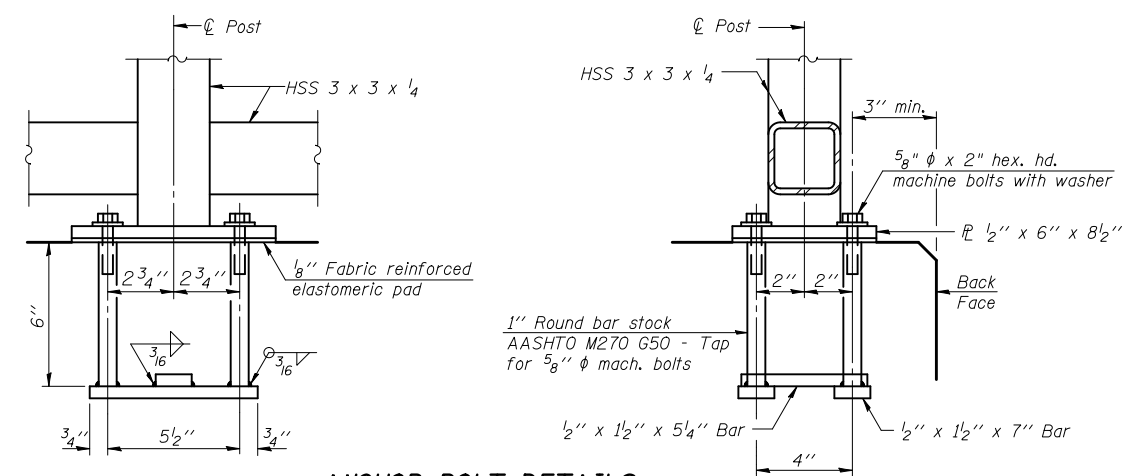
**RAIL SPLICE**



**BASE PLATE**

**BILL OF MATERIAL**

| ITEM            | UNIT | QUANTITY |
|-----------------|------|----------|
| Parapet Railing | Foot | 122      |



**ANCHOR BOLT DETAILS**

In lieu of the cast-in-place anchor device shown, the Contractor has the option of drilling and setting 5/8"  $\phi$  anchor rods according to Article 509.06 of the Standard Specifications. Embedment shall be according to the manufacturer's specifications.

Note: Vent holes shall be provided as required by Standard Specification Article 509.

cc:\pwworking\oma\0463409\0220226-60B42-038-RDT.DGN  
jmgus

11/2/2012 11:26:50 AM



|                                       |                |           |
|---------------------------------------|----------------|-----------|
| USER NAME = jmgus                     | DESIGNED - AMM | REVISED - |
| FILE NAME = 0220226-60B42-038-RDT.DGN | CHECKED - LAG  | REVISED - |
| PLOT SCALE = NONE                     | DRAWN - RMA    | REVISED - |
| PLOT DATE = 11/2/2012                 | CHECKED - AMM  | REVISED - |

**STATE OF ILLINOIS  
DEPARTMENT OF TRANSPORTATION**

**PARAPET RAILING DETAILS  
STRUCTURE NO. 022-0226**  
SHEET NO. 38 OF 43 SHEETS

| F.A.U. RTE.               | SECTION | COUNTY  | TOTAL SHEETS | SHEET NO. |
|---------------------------|---------|---------|--------------|-----------|
| 1321                      | 32VB    | DU PAGE | 388          | 179       |
| CONTRACT NO. 60W01        |         |         |              |           |
| ILLINOIS FED. AID PROJECT |         |         |              |           |