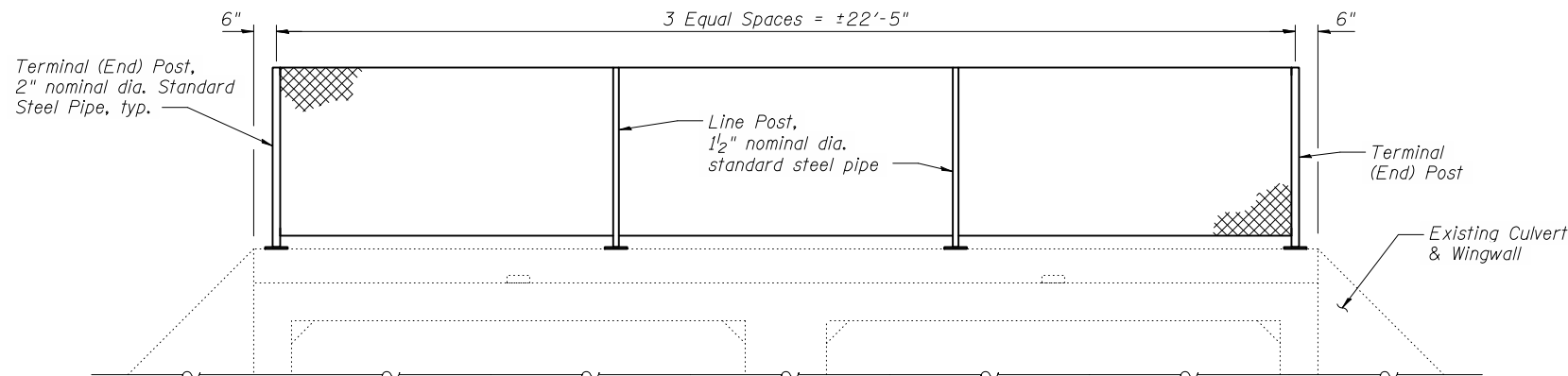


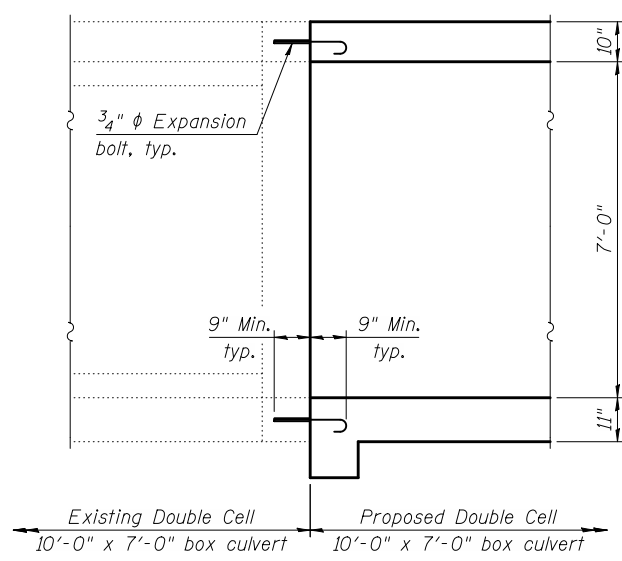
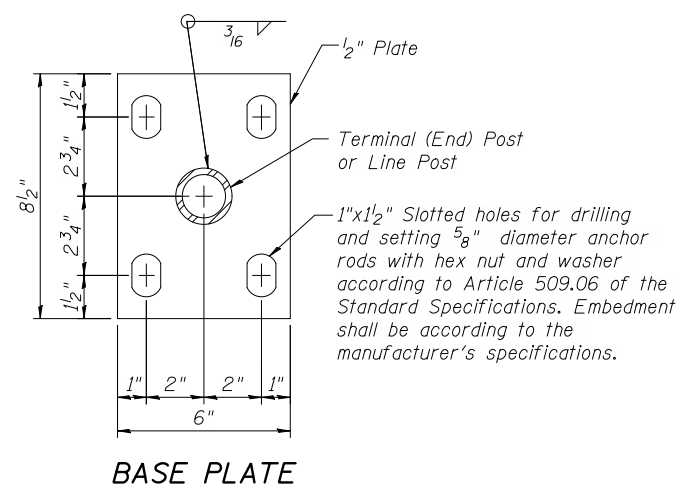
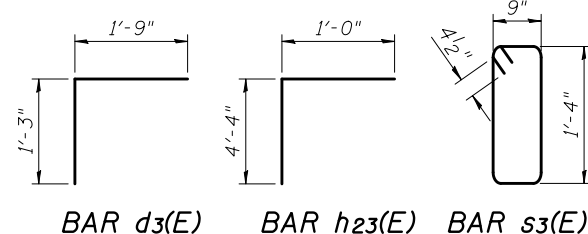
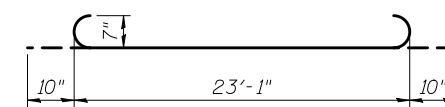
END ELEVATION OF EXISTING CULVERT
Shown at east end of existing culvert



END ELEVATION OF EXISTING CULVERT
West end of existing culvert showing Chain Link Fence, 4'

BILL OF MATERIAL

Bar	No.	Size	Length	Shape
a6(E)	136	#7	23'-1"	—
a7(E)	136	#7	24'-9"	—
d3(E)	24	#4	3'-0"	┌
h11(E)	96	#7	19'-0"	—
h12(E)	48	#4	17'-6"	—
h13(E)	56	#5	5'-8"	—
h23(E)	16	#5	5'-4"	┌
h24(E)	96	#5	18'-1"	—
h25(E)	2	#7	23'-2"	—
s3(E)	24	#4	4'-11"	┌
v6(E)	105	#5	8'-5"	—
Concrete Box Culverts		Cu. Yd.		76.4
Reinforcement Bars, Epoxy Coated		Pound		20,960
Chain Link Fence, 4'		Foot		23
Expansion Bolts 3/4 Inch		Each		38



SECTION C-C
Upstream end of proposed culvert extension showing bolt locations

Notes:
All items associated with constructing the chain-link fence shall be galvanized according to the Standard Specifications. See Article 509 of the Standard Specifications and Chain Link Fence Standard 664001-02 for more information regarding chain link fence. Expansion bolts shall be placed along centerlines of walls, top slab and bottom slab of existing culvert.

11/2/2012 11:28:52 AM c:\pwworking\oma\0464045\0223125-60842-005-EDT.DGN jmgus



USER NAME = jmgus	DESIGNED - DLO	REVISED -
FILE NAME = 0223125-60842-005-EDT.DGN	CHECKED - LJC	REVISED -
PLOT SCALE = NONE	DRAWN - RMA	REVISED -
PLOT DATE = 11/2/2012	CHECKED - LGP	REVISED -

STATE OF ILLINOIS
DEPARTMENT OF TRANSPORTATION

DOUBLE CELL BOX CULVERT EXTENSION DETAILS
STRUCTURE NO. 022-3125

F.A.P. RTE.	SECTION	COUNTY	TOTAL SHEETS	SHEET NO.
345A	32VB	DU PAGE	388	194
CONTRACT NO. 60W01				

SHEET NO. 5 OF 13 SHEETS

ILLINOIS FED. AID PROJECT