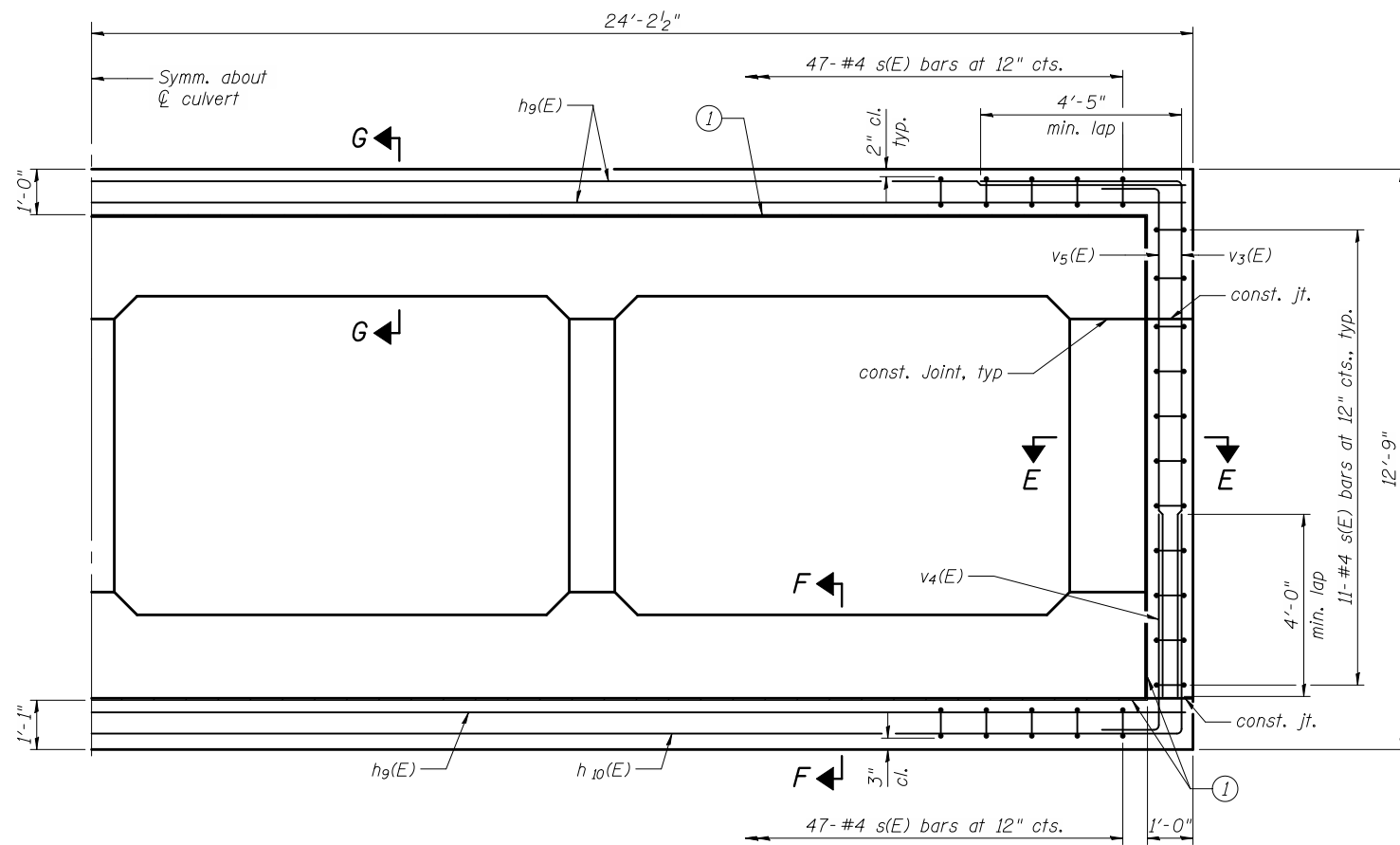
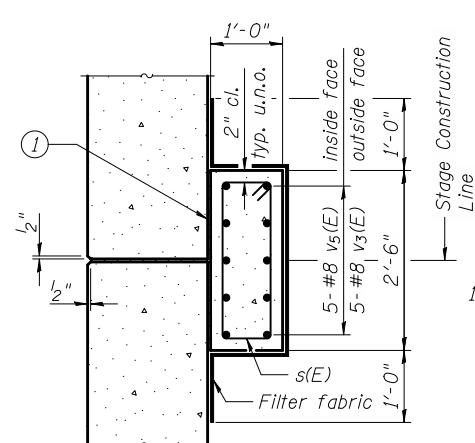


cc:\pwworking\oma\0464045\0223125-60842-010-CDT.DGN  
jmlgus

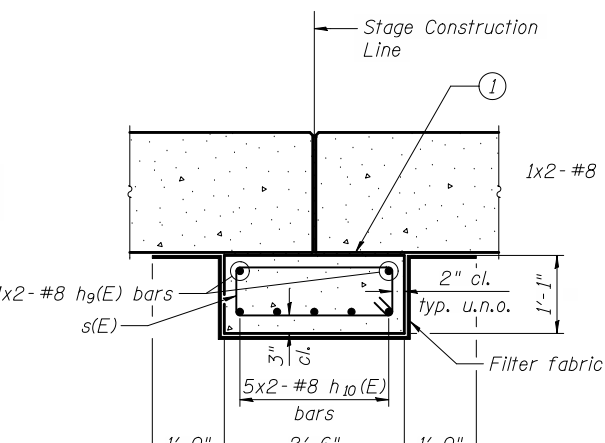
11/2/2012  
11:29:37 AM



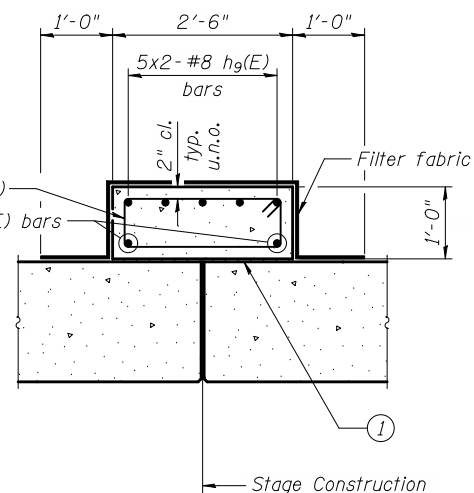
**SECTION THRU BOX AT COLLAR**  
Culvert reinforcement not shown for clarity.



**SECTION E-E**

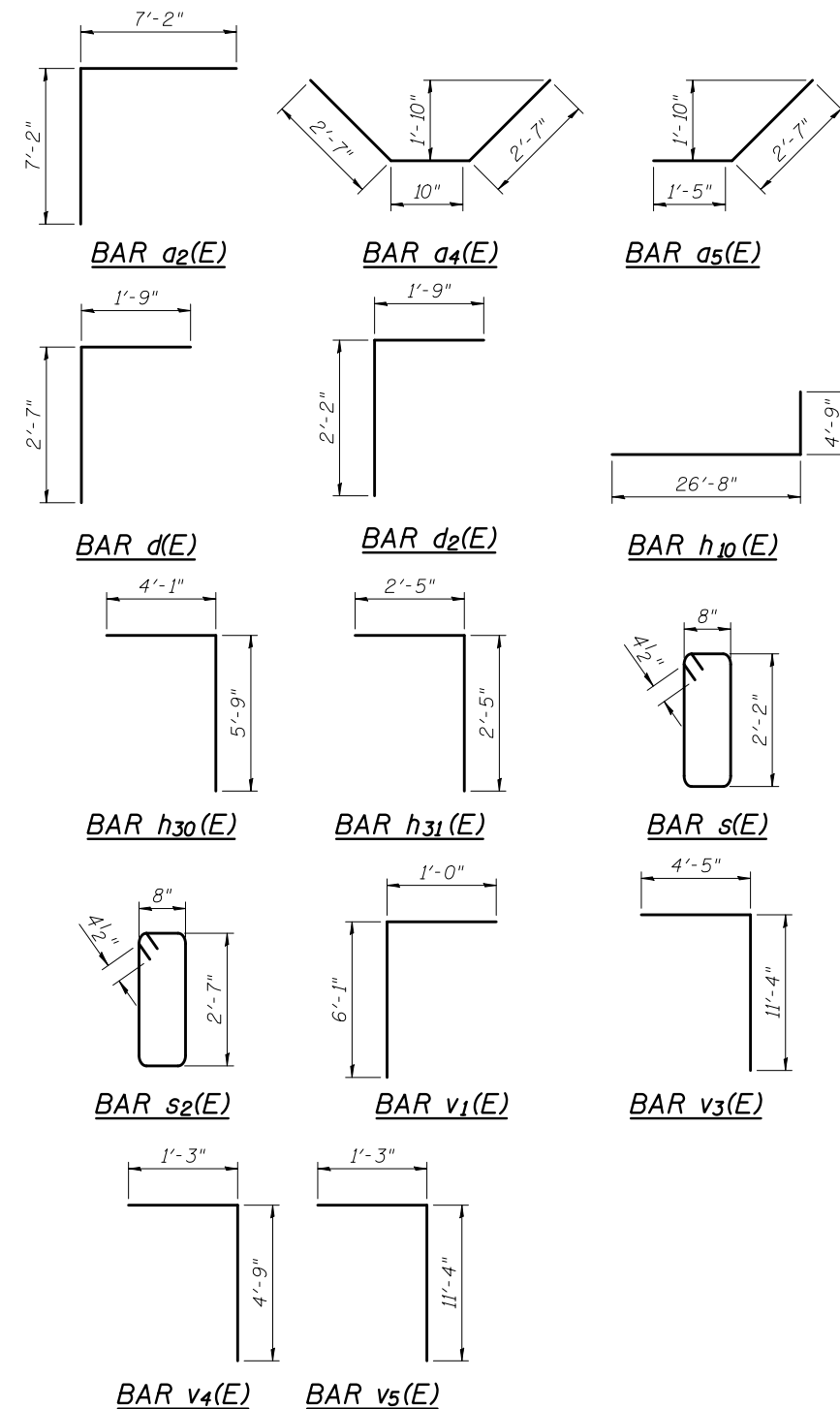


**SECTION F-F**



**SECTION G-G**

① 1/2" P.J.F.  
P.J.F. and filter fabric included in the cost  
of Concrete Box Culverts CPR Special



**BILL OF MATERIAL**

Bar	No.	Size	Length	Shape
a1(E)	460	#8	40'-0"	—
a2(E)	926	#7	14'-4"	┌
a3(E)	920	#6	25'-1"	—
a4(E)	1,386	#4	6'-0"	└
a5(E)	926	#4	4'-0"	└
a16(E)	2	#8	29'-4"	—
a17(E)	2	#6	32'-5"	—
a18(E)	2	#8	15'-10"	—
a19(E)	2	#6	18'-11"	—
d(E)	47	#4	4'-4"	┌
d2(E)	47	#4	3'-11"	┌
h(E)	1158	#6	32'-3"	—
h2(E)	386	#6	32'-6"	—
h6(E)	36	#7	25'-8"	—
h9(E)	18	#8	26'-8"	—
h10(E)	10	#8	31'-5"	┌
h30(E)	11	#8	9'-10"	┌
h31(E)	11	#5	4'-10"	┌
h32(E)	13	#8	7'-5"	—
h33(E)	12	#5	7'-5"	—
s(E)	351	#4	6'-5"	┌
s2(E)	47	#4	7'-3"	┌
v(E)	463	#6	10'-2"	—
v1(E)	2,772	#5	7'-1"	┌
v3(E)	10	#8	15'-9"	┌
v4(E)	10	#8	6'-0"	┌
v5(E)	10	#8	12'-7"	┌
v30(E)	8	#5	12'-4"	┌
v31(E)	8	#5	11'-7"	┌
Concrete Box Culverts CPR Special		Cu. Yd.	972.8	
Reinforcement Bars, Epoxy Coated		Pound	229,640	



USER NAME = jmlgus  
FILE NAME = 0223125-60842-010-CDT.DGN  
PLOT SCALE = NONE  
PLOT DATE = 11/2/2012

DESIGNED - DLO  
CHECKED - LJC  
DRAWN - RMA  
CHECKED - LGP

REVISED -  
REVISED -  
REVISED -  
REVISED -

**STATE OF ILLINOIS  
DEPARTMENT OF TRANSPORTATION**

**4 CELL BOX CULVERT DETAILS  
STRUCTURE NO. 022-3125**

SHEET NO. 10 OF 13 SHEETS

F.A.P. RTE.	SECTION	COUNTY	TOTAL SHEETS	SHEET NO.
345A	32VB	DU PAGE	388	199
CONTRACT NO. 60W01				

ILLINOIS FED. AID PROJECT