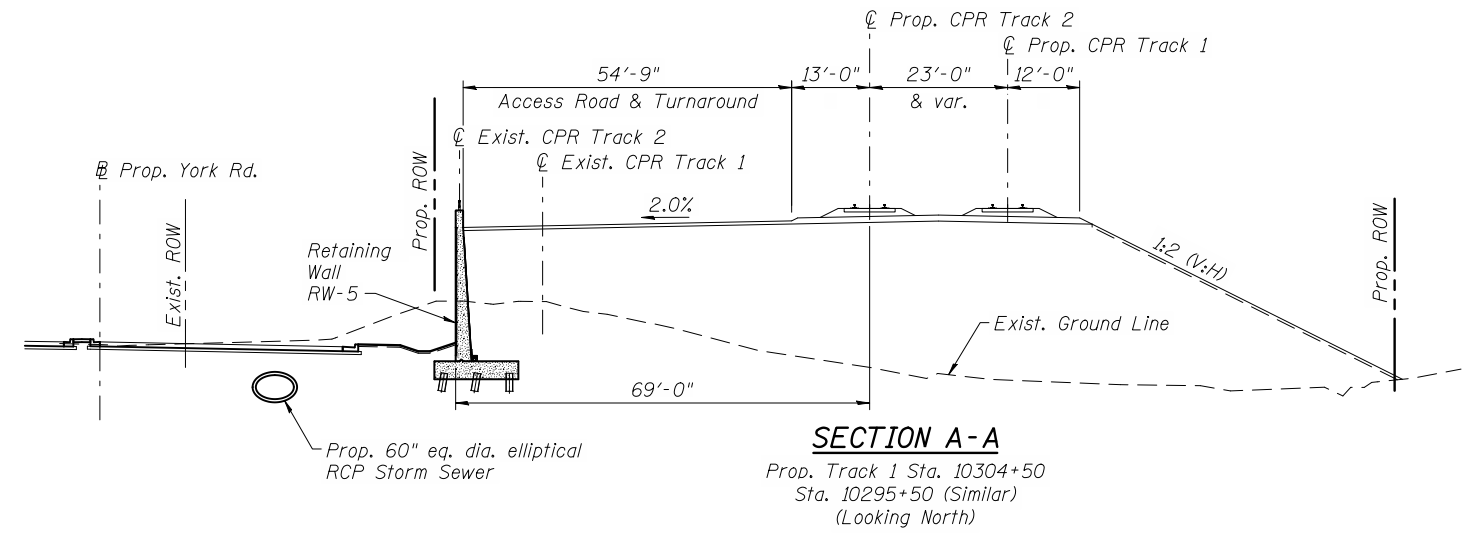
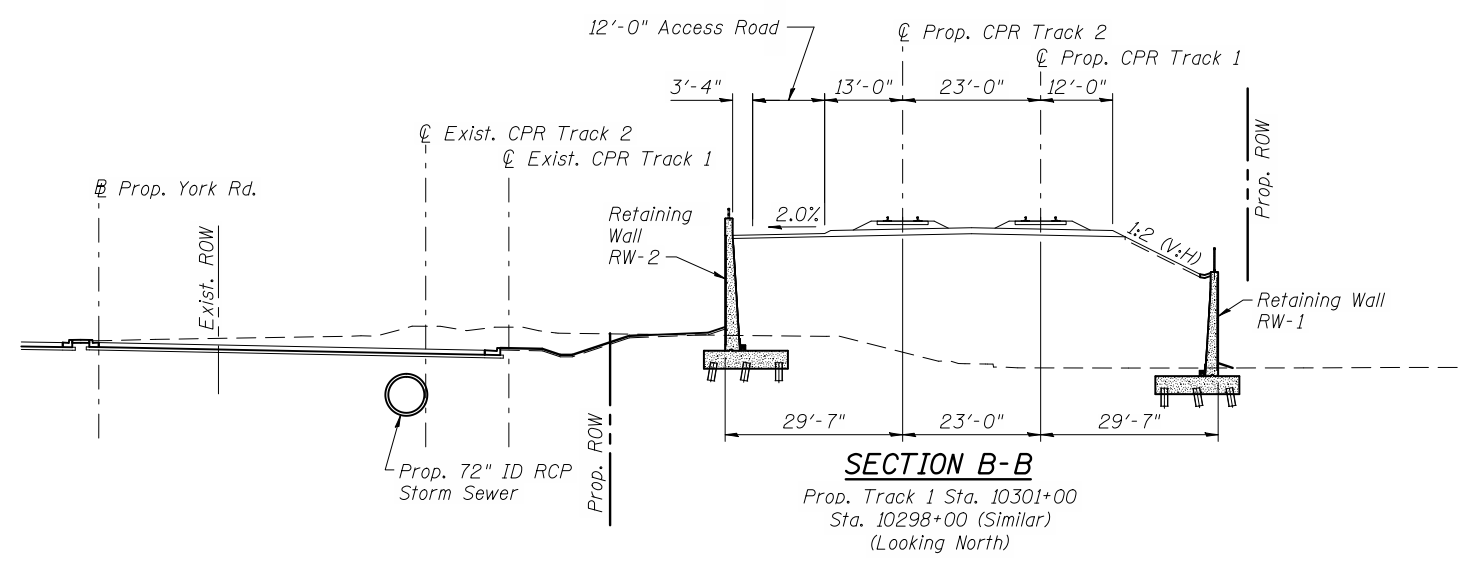


11/2/2012 11:30:48 AM c:\pwworking\oma\d0593503\WXXX-60B42-006-GEN.dgn jmiqus



SECTION A-A
 Prop. Track 1 Sta. 10304+50
 Sta. 10295+50 (Similar)
 (Looking North)



SECTION B-B
 Prop. Track 1 Sta. 10301+00
 Sta. 10298+00 (Similar)
 (Looking North)

STATION 10300+33.90
 TO 10303+95.86
 BUILT 20__ BY
 STATE OF ILLINOIS
 LOADING COOPER E90
 STRUCTURE NO. 022-1001

NAME PLATE
 Wall CPR RW-1
 See Std. 515001

STATION 20300+33.90
 TO 20303+95.86
 BUILT 20__ BY
 STATE OF ILLINOIS
 LOADING COOPER E90
 & HS20-44
 STRUCTURE NO. 022-1002

NAME PLATE
 Wall CPR RW-2
 See Std. 515001

STATION 10297+74.99
 TO 10298+27.74
 BUILT 20__ BY
 STATE OF ILLINOIS
 LOADING COOPER E90
 STRUCTURE NO. 022-1003

NAME PLATE
 Wall CPR RW-3
 See Std. 515001

STATION 20296+24.15
 TO 20298+27.74
 BUILT 20__ BY
 STATE OF ILLINOIS
 LOADING COOPER E90
 & HS20-44
 STRUCTURE NO. 022-1004

NAME PLATE
 Wall CPR RW-4
 See Std. 515001

STATION 20303+88.61
 TO 20305+38.61
 BUILT 20__ BY
 STATE OF ILLINOIS
 LOADING HS20-44
 STRUCTURE NO. 022-1005

NAME PLATE
 Wall CPR RW-5
 See Std. 515001

STATION 20294+63.42
 TO 20296+03.42
 BUILT 20__ BY
 STATE OF ILLINOIS
 LOADING HS20-44
 STRUCTURE NO. 022-1006

NAME PLATE
 Wall CPR RW-6
 See Std. 515001

NOTE:

- See Sheets 1 and 2 for Locations of Sections A-A and B-B.



USER NAME = jmiqus	DESIGNED - BWC	REVISED -
FILE NAME = WXXX-60B42-006-GEN.DGN	CHECKED - JAR	REVISED -
PLOT SCALE = NONE	DRAWN - JM	REVISED -
PLOT DATE = 11/2/2012	CHECKED - JAR	REVISED -

**STATE OF ILLINOIS
 DEPARTMENT OF TRANSPORTATION**

**TYPICAL SECTIONS
 CPR RETAINING WALLS**
 SHEET NO. 6 OF 42 SHEETS

F.A.P. RTE.	SECTION	COUNTY	TOTAL SHEETS	SHEET NO.
345A	32VB	DU PAGE	388	208
CONTRACT NO. 60W01				
<small>ILLINOIS FED. AID PROJECT</small>				