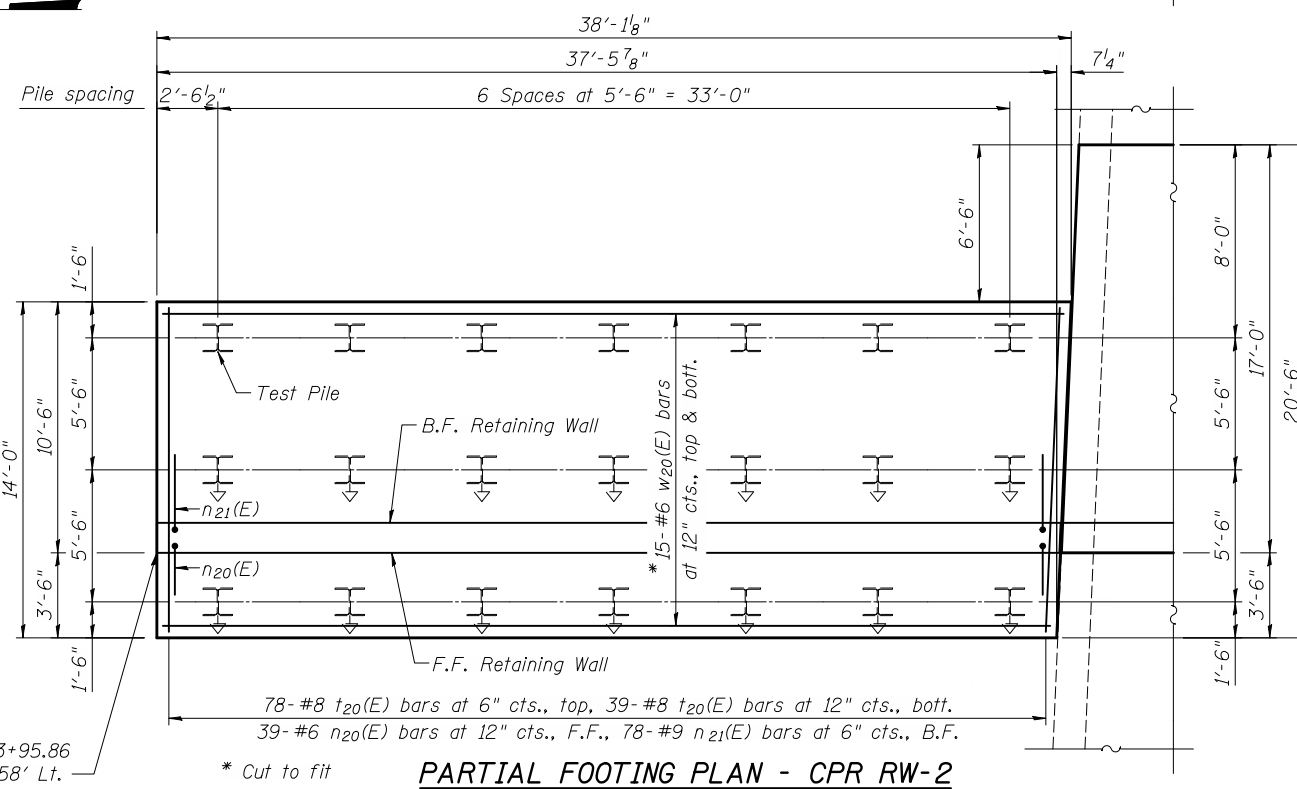
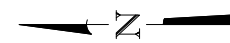
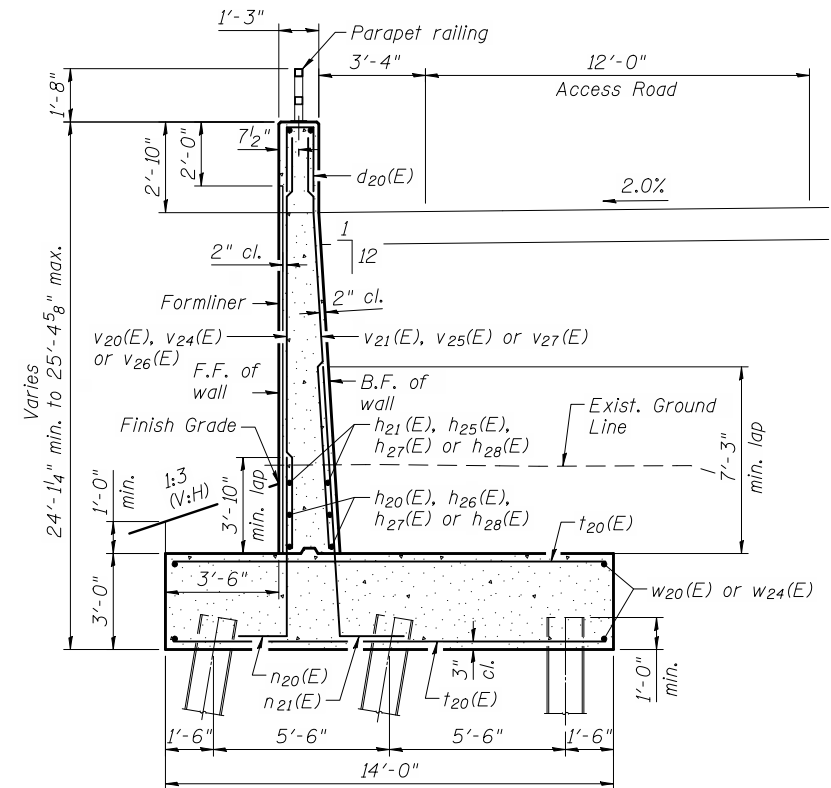


PARTIAL ELEVATION - CPR RW-2
(Front Face Looking East)



PARTIAL FOOTING PLAN - CPR RW-2
* Cut to fit



SECTION A-A
(Looking upstation)

NOTES:

1. See Sheet 4 for Joint Details.

11/2/2012 11:31:0 AM
c:\pwworking\oma\d0593503\WXXX-60B42-013-WEL.DGN
jmgus



USER NAME = jmgus	DESIGNED - BWC	REVISED -
FILE NAME = WXXX-60B42-013-WEL.DGN	CHECKED - JAR	REVISED -
PLOT SCALE = NONE	DRAWN - JM	REVISED -
PLOT DATE = 11/2/2012	CHECKED - JAR	REVISED -

STATE OF ILLINOIS
DEPARTMENT OF TRANSPORTATION

CPR RW-2 PLAN AND ELEVATION
CPR RETAINING WALLS

SHEET NO. 13 OF 42 SHEETS

F.A.P. RTE.	SECTION	COUNTY	TOTAL SHEETS	SHEET NO.
345A	32VB	DU PAGE	388	215
CONTRACT NO. 60W01				
ILLINOIS FED. AID PROJECT				