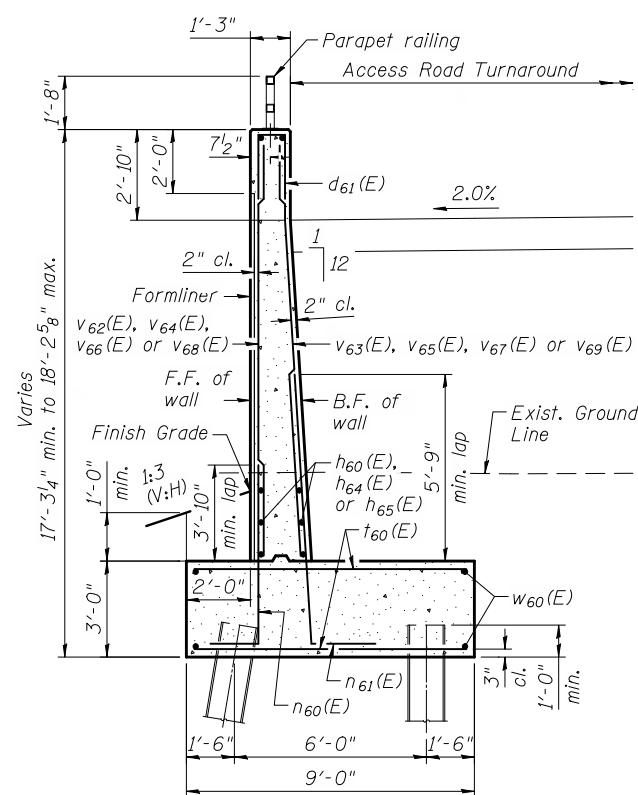
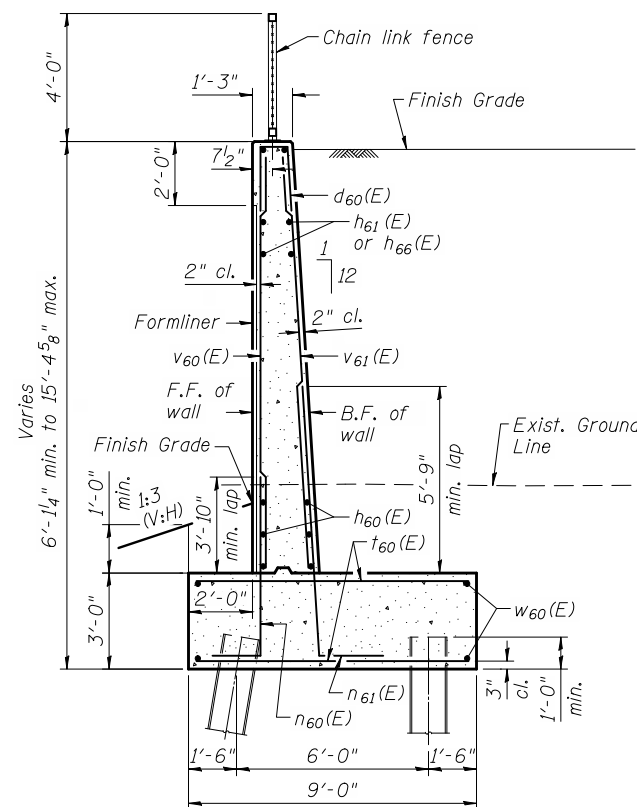


**CPR RW-6  
BILL OF MATERIAL**

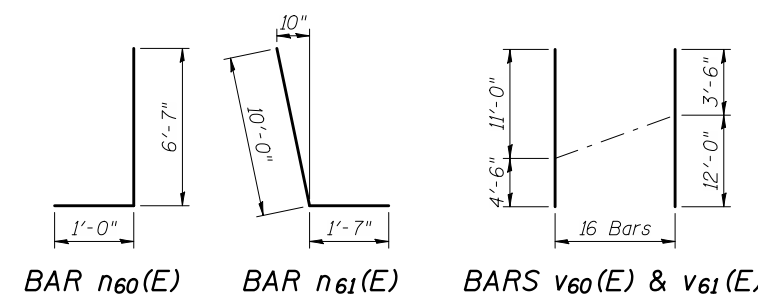
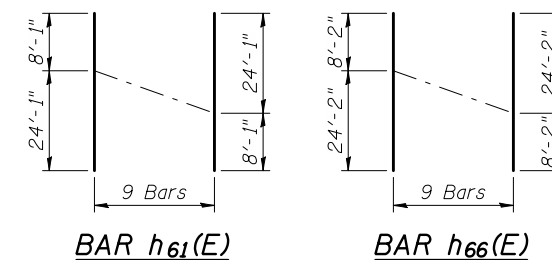
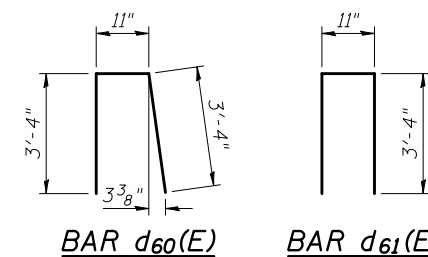
Bar	No.	Size	Length	Shape
d <sub>60</sub> (E)	34	#6	7'-7"	Π
d <sub>61</sub> (E)	108	#6	7'-7"	Π
h <sub>60</sub> (E)	14	#5	24'-8"	—
h <sub>61</sub> (E)	9	#5	32'-2"	—
h <sub>62</sub> (E)	12	#5	8'-0"	—
h <sub>63</sub> (E)	4	#5	18'-8"	—
h <sub>64</sub> (E)	30	#5	29'-8"	—
h <sub>65</sub> (E)	60	#5	33'-6"	—
h <sub>66</sub> (E)	9	#5	32'-4"	—
n <sub>60</sub> (E)	140	#6	7'-7"	J
n <sub>61</sub> (E)	140	#8	11'-7"	L
t <sub>60</sub> (E)	140	#6	8'-8"	—
v <sub>60</sub> (E)	16	#6	15'-6"	—
v <sub>61</sub> (E)	16	#8	15'-6"	—
v <sub>62</sub> (E)	9	#6	14'-11"	—
v <sub>63</sub> (E)	9	#8	14'-11"	—
v <sub>64</sub> (E)	30	#6	14'-8"	—
v <sub>65</sub> (E)	30	#8	14'-8"	—
v <sub>66</sub> (E)	30	#6	14'-5"	—
v <sub>67</sub> (E)	30	#8	14'-5"	—
v <sub>68</sub> (E)	39	#6	14'-1"	—
v <sub>69</sub> (E)	39	#8	14'-1"	—
w <sub>60</sub> (E)	80	#6	38'-1"	—
Porous Granular Embankment			Cu. Yd.	213
Removal and Disposal of Unsuitable Material for Structures			Cu. Yd.	244
Form Liner Textured Surface			Sq. Ft.	1,552
Reinforcement Bars, Epoxy Coated			Pound	25,640
Furnishing Steel Piles HP14x89			Foot	990
Driving Piles			Foot	990
Test Pile Steel HP14x89			Each	1
Geocomposite Wall Drain			Sq. Yd.	139
Pipe Underdrains for Structures 4"			Foot	140
Chain Link Fence, 4'			Foot	38
Parapet Railing			Foot	107
Concrete Structures CPR Special			Cu. Yd.	252.2



**SECTION A-A**  
(Looking upstasion)



**SECTION B-B**  
(Looking upstasion)



**PILE DATA**

Type: HP14x89  
 Min. Tip Elevation: 648.0  
 Required Resistance: 230 kips  
 Allowable Resistance  
 Available: 115 kips  
 Est. Length: 22 feet  
 No. Piles: 45 + 1 Test Pile

**NOTES:**

- All piles must be driven to the minimum tip elevation shown. At the minimum tip elevation, driving shall be continued until the required resistance is achieved. "Required resistance" is equivalent to "nominal required bearing" in the IDOT Standard Specifications. The nominal driven bearing, as determined by the pile driving formula specified in Art. 512.14 of the IDOT Standard Specifications and modified by the Special Provisions, must be greater than or equal to the required resistance shown.
- Bars indicated thus 13 x 5-#6 etc. indicates 13 lines of bars with 5 lengths per line.

cc:\pwworking\oma\d0593503\WXXX-60B42-026-WEL.DGN  
 jmiqus

11/2/2012 11:31:50 AM



USER NAME = jmiqus	DESIGNED - BWC	REVISED -
FILE NAME = WXXX-60B42-026-WEL.DGN	CHECKED - JAR	REVISED -
PLOT SCALE = NONE	DRAWN - JM	REVISED -
PLOT DATE = 11/2/2012	CHECKED - JAR	REVISED -

**STATE OF ILLINOIS  
DEPARTMENT OF TRANSPORTATION**

**CPR RW-6 SECTIONS & BILL OF MATERIAL  
CPR RETAINING WALLS**

SHEET NO. 28 OF 42 SHEETS

F.A.P. RTE.	SECTION	COUNTY	TOTAL SHEETS	SHEET NO.
345A	32VB		388	230
CONTRACT NO. 60W01				
ILLINOIS FED. AID PROJECT				