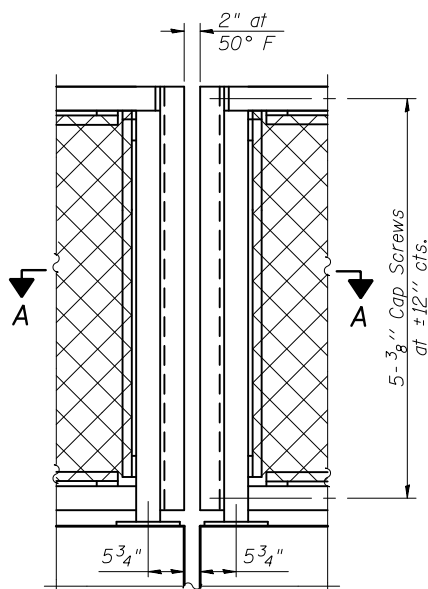
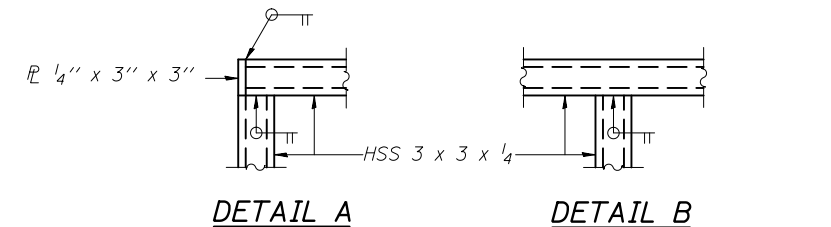


**CHAIN LINK FENCE**

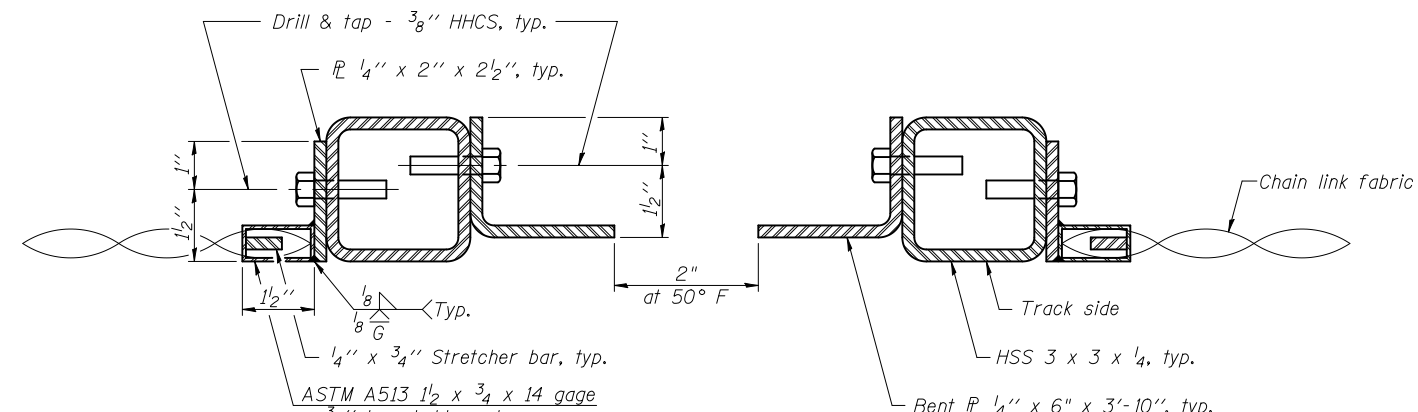


**CHAIN LINK FENCE**

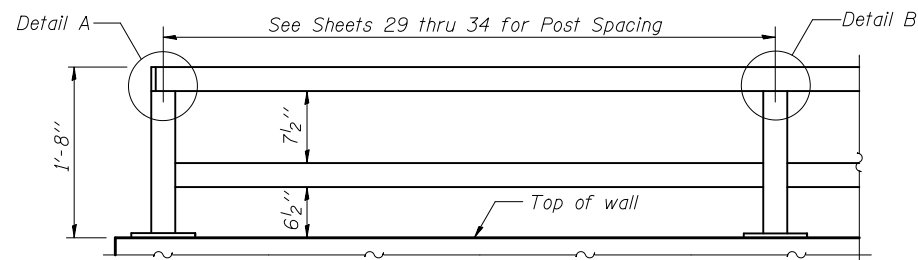


**DETAIL A**

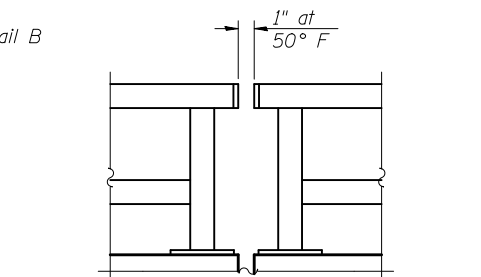
**DETAIL B**



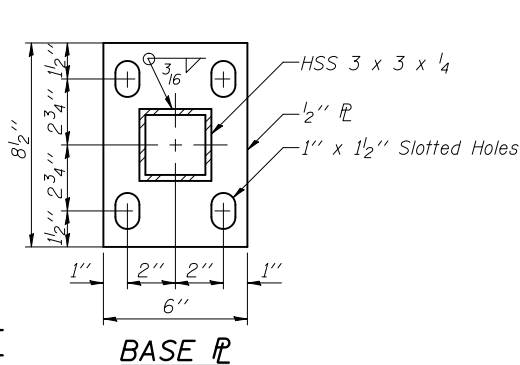
**SECTION A-A**



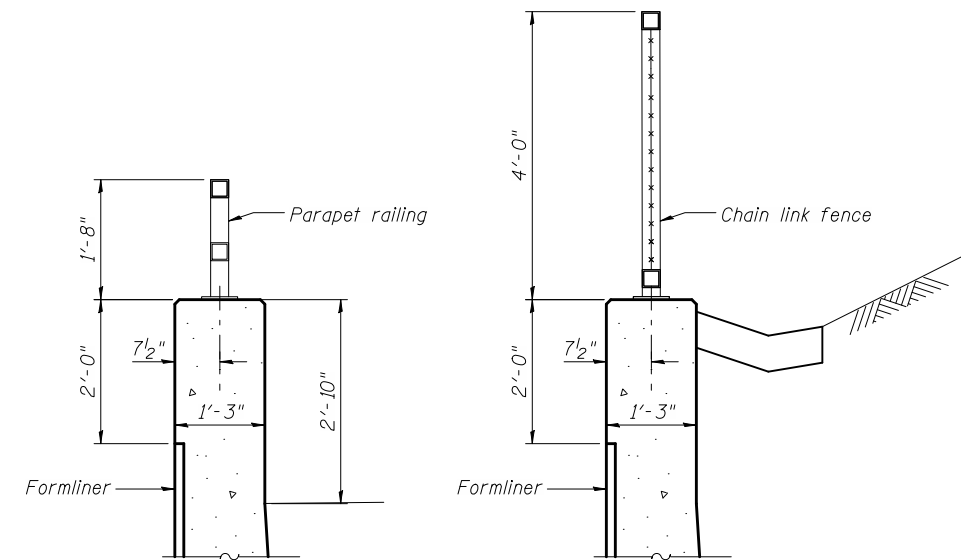
**PARAPET RAILING  
ELEVATION  
(Inside Face)**



**PARAPET RAILING  
ELEVATION AT EXPANSION JOINT**

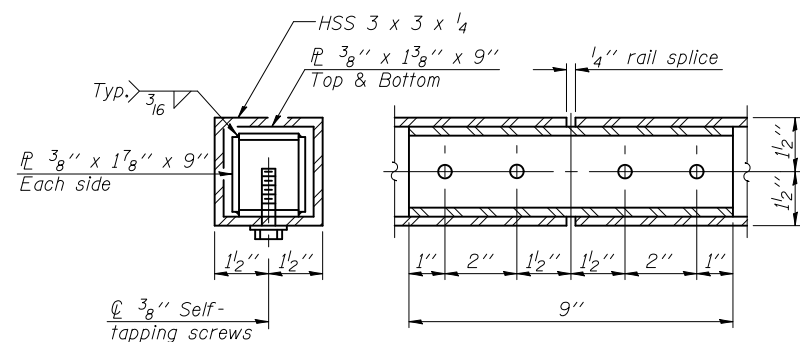


**BASE PLATE**

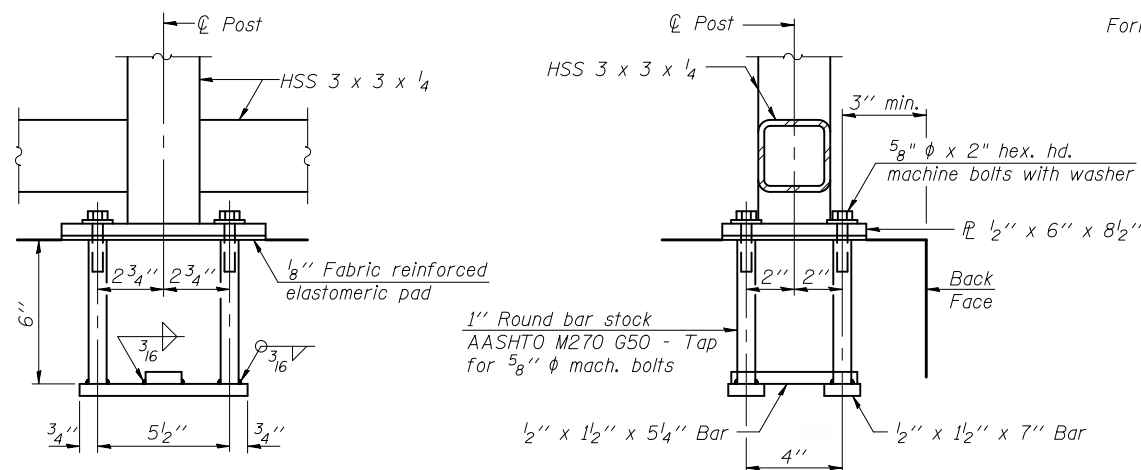


**SECTION THRU WALL**

**SECTION THRU WALL**



**RAIL SPLICE**



**ANCHOR BOLT DETAILS**

In lieu of the cast-in-place anchor device shown, the Contractor has the option of drilling and setting 5/8"  $\phi$  anchor rods according to Article 509.06 of the Standard Specifications. Embedment shall be according to the manufacturer's specifications.

**NOTES:**

- All steel rail elements shall be galvanized according to Article 509.05 of the Standard Specifications.

ca:\pwworking\oma\d0593503\WXXX-60B42-035-RDT.DGN  
jmlgus

11/2/2012  
11:32:09 AM



USER NAME = jmlgus	DESIGNED - JM	REVISED -
FILE NAME = WXXX-60B42-035-RDT.DGN	CHECKED - JAR	REVISED -
PLOT SCALE = NONE	DRAWN - JM	REVISED -
PLOT DATE = 11/2/2012	CHECKED - JAR	REVISED -

**STATE OF ILLINOIS  
DEPARTMENT OF TRANSPORTATION**

**RAILING DETAILS  
CPR RETAINING WALLS**

SHEET NO. 35 OF 42 SHEETS

F.A.P. RTE.	SECTION	COUNTY	TOTAL SHEETS	SHEET NO.
345A	32VB	DU PAGE	388	237
CONTRACT NO. 60W01				

ILLINOIS FED. AID PROJECT