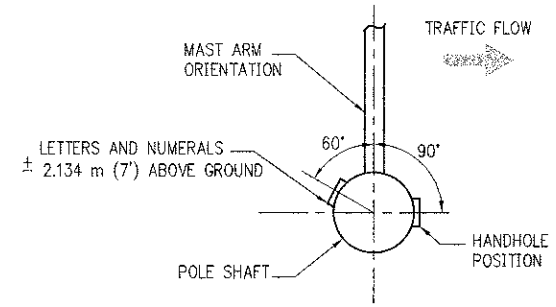
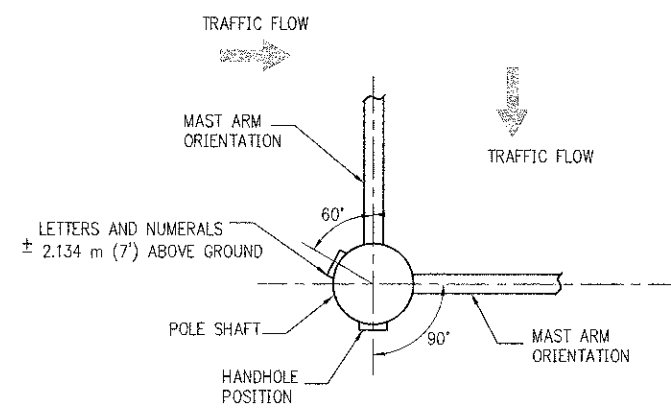


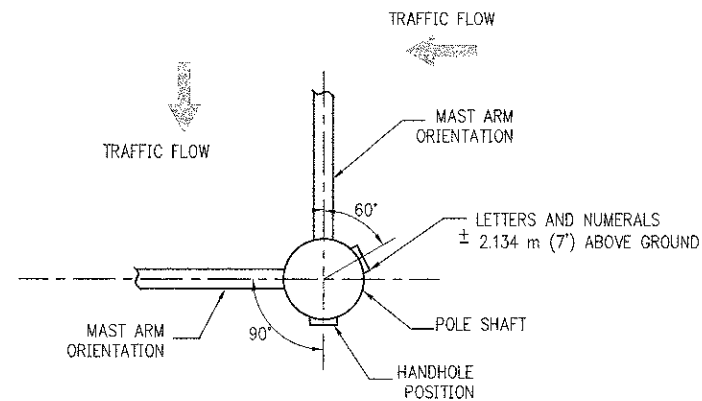
1 ALUMINUM LIGHT POLE (TYPE - A)
NOT TO SCALE



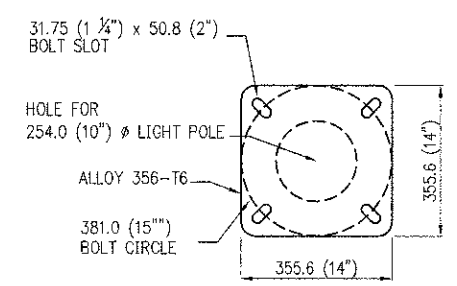
POSITION OF HANDHOLE AND POLE NUMBER FOR SINGLE MAST ARM POLES



POSITION OF HANDHOLE AND POLE NUMBER FOR TWO 90° MAST ARMS POLES

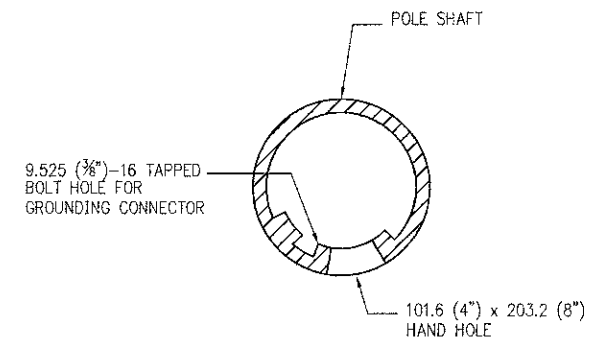


POSITION OF HANDHOLE AND POLE NUMBER FOR TWO 90° MAST ARMS POLES



LIGHT POLE BASE PLATE DETAIL

2 381.0 (15") BOLT CIRCLE
NOT TO SCALE



3 HANDHOLE DETAIL
NOT TO SCALE

NOTES:

- ALL DIMENSIONS ARE IN MILLIMETERS (INCHES) UNLESS OTHERWISE SHOWN.
- MOUNTING HEIGHT IS DEFINED AS THE DISTANCE FROM THE CENTERLINE OF THE TENON TO THE BOTTOM OF THE ANCHOR BASE.
- THE LIGHT POLE WILL MEET AASHTO DESIGN CRITERIA AS SPECIFIED.
- THE INSTALLING CONTRACTOR WILL PROVIDE A UL LISTED GROUNDING CONNECTOR, BURNDY K2C323, T&B SP4DL OR APPROVED EQUAL.
- LIGHT POLES WILL NOT BE INSTALLED WITHOUT MAST ARMS AND LUMINAIRES.
- LIGHT POLES WILL BE SET PLUMB ON THE FOUNDATION WITHOUT THE USE OF LEVELING NUTS, WASHERS OR SHIMS.
- LIGHTING UNIT IDENTIFICATION NUMBERS SHALL BE INSTALLED BEFORE THE LIGHTING UNIT IS ENERGIZED.
- LIGHT POLE SHALL BE UL OR ETL LISTED OR CLASSIFIED



REVISIONS	
NAME	DATE
REVISED	11/13/2012