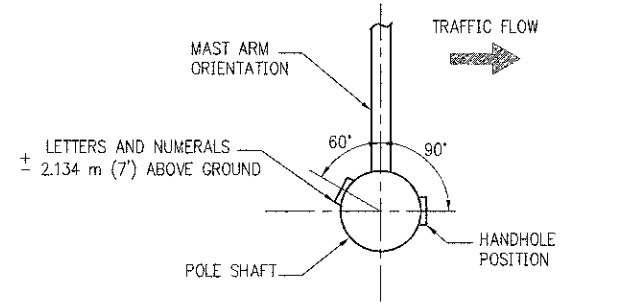
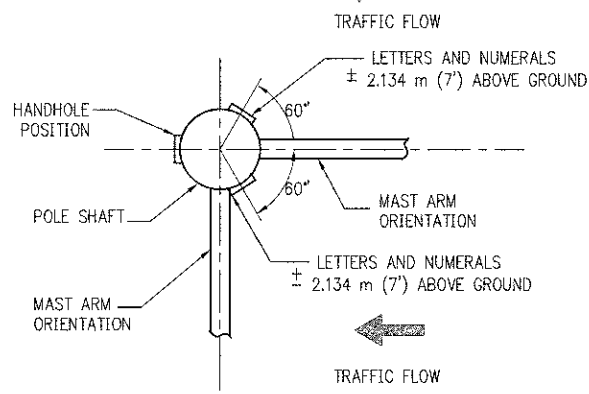


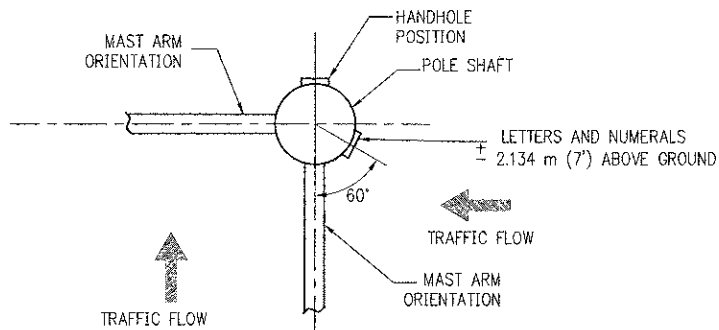
1 ALUMINUM LIGHT POLE (TYPE - B)
NOT TO SCALE



POSITION OF HANDHOLE AND POLE NUMBER FOR SINGLE MAST ARM POLES



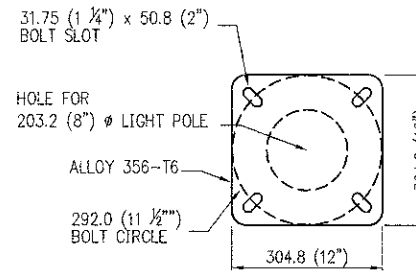
POSITION OF HANDHOLE AND POLE NUMBER FOR TWO 90° MAST ARMS POLES



POSITION OF HANDHOLE AND POLE NUMBER FOR TWO 90° MAST ARMS POLES

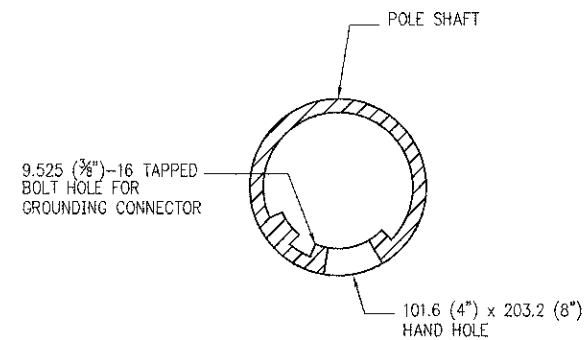
NOTES:

- ALL DIMENSIONS ARE IN MILLIMETERS (INCHES) UNLESS OTHERWISE SHOWN.
- MOUNTING HEIGHT IS DEFINED AS THE DISTANCE FROM THE CENTERLINE OF THE TENON TO THE BOTTOM OF THE ANCHOR BASE.
- THE LIGHT POLE WILL MEET AASHTO DESIGN CRITERIA AS SPECIFIED.
- THE INSTALLING CONTRACTOR WILL PROVIDE A UL LISTED GROUNDING CONNECTOR, BURNDY K2C323, T&B SP4DL OR APPROVED EQUAL.
- LIGHT POLES WILL NOT BE INSTALLED WITHOUT MAST ARMS AND LUMINAIRES.
- LIGHT POLES WILL BE SET PLUMB ON THE FOUNDATION WITHOUT THE USE OF LEVELING NUTS, WASHERS OR SHIMS.
- LIGHTING UNIT IDENTIFICATION NUMBERS SHALL BE INSTALLED BEFORE THE LIGHTING UNIT IS ENERGIZED.
- LIGHT POLE SHALL BE UL OR ETL LISTED OR CLASSIFIED.



LIGHT POLE BASE PLATE DETAIL

2 292.0 (11 1/2") BOLT CIRCLE
NOT TO SCALE



3 HANDHOLE DETAIL
NOT TO SCALE



REVISIONS	
NAME	DATE
REVISED	11/13/2012



VILLAGE OF ARLINGTON HEIGHTS

DETAILS-4
U.S. ROUTE 14

NOT TO SCALE

DATE: 08/17/2012
DESIGNED BY: EE
TECHNICIAN: EE
CHECKED BY: DEM