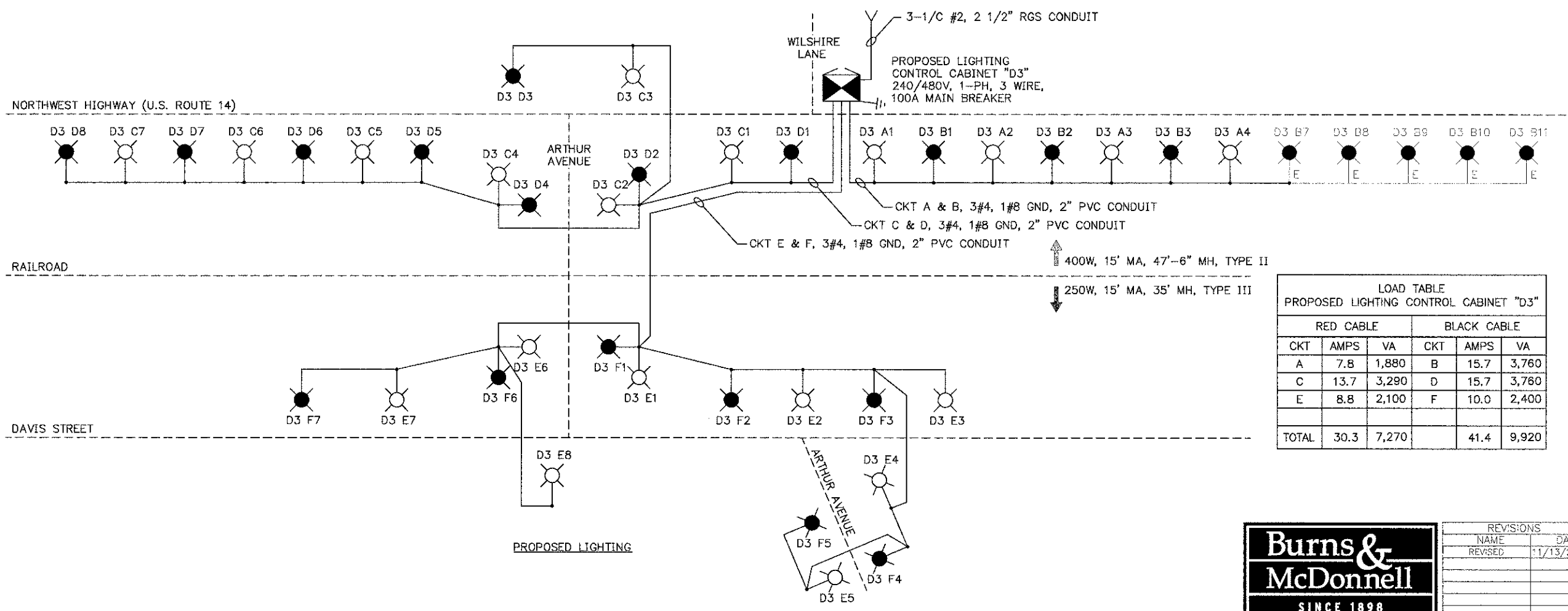


LOAD TABLE
EXISTING LIGHTING CONTROL CABINET "D3"

RED PHASE			BLACK PHASE		
CKT	AMPS	VA	CKT	AMPS	VA
A	23.5	5,640	B	15.7	3,760
C	13.7	3,290	D	15.0	3,600
TOTAL	37.2	8,930		30.7	7,360

- LEGEND:**
- EXISTING LIGHTING CONTROL CABINET
 - PROPOSED LIGHTING CONTROL CABINET
 - PROPOSED ELECTRIC UTILITY SERVICE
 - GROUND FIELD
 - D3 TA1 LUMINAIRE DESIGNATION
TEMPORARY WOOD POLE WITH HPS LUMINAIRE
 - D3 A1 LUMINAIRE DESIGNATION
PROPOSED LIGHTING UNIT WITH HPS LUMINAIRE
RED PHASE - OPEN SYMBOL
 - D3 B1 LUMINAIRE DESIGNATION
PROPOSED LIGHTING UNIT WITH HPS LUMINAIRE
BLACK PHASE - SOLID SYMBOL
 - D3 B7 LUMINAIRE DESIGNATION
EXISTING LIGHTING UNIT WITH HPS LUMINAIRE
BLACK PHASE - SOLID SYMBOL



LOAD TABLE
PROPOSED LIGHTING CONTROL CABINET "D3"

RED CABLE			BLACK CABLE		
CKT	AMPS	VA	CKT	AMPS	VA
A	7.8	1,880	B	15.7	3,760
C	13.7	3,290	D	15.7	3,760
E	8.8	2,100	F	10.0	2,400
TOTAL	30.3	7,270		41.4	9,920

- ABBREVIATIONS:**
- A AMPS
 - C CONDUCTOR
 - CKT CIRCUIT
 - E EXISTING
 - MA MAST ARM
 - MH MOUNTING HEIGHT
 - PH PHASE
 - RGS RIGID GALVANIZED STEEL
 - V VOLTS
 - VA VOLTAGE AMPERES
 - W WATTS
 - WP WOOD POLE



REVISIONS

NAME	DATE
REVISED	11/13/2012

E22 OF E24

VILLAGE OF ARLINGTON HEIGHTS

SINGLE LINE
U.S. ROUTE 14

DATE: 08/17/2012
DESIGNED BY: EE
TECHNICIAN: EE
CHECKED BY: DEM