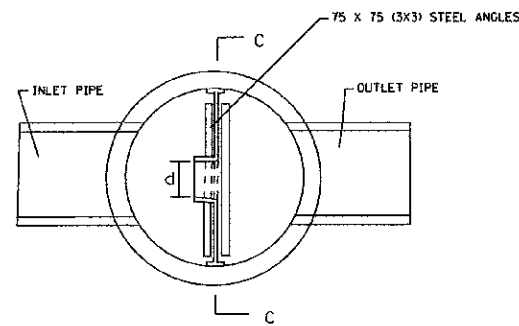
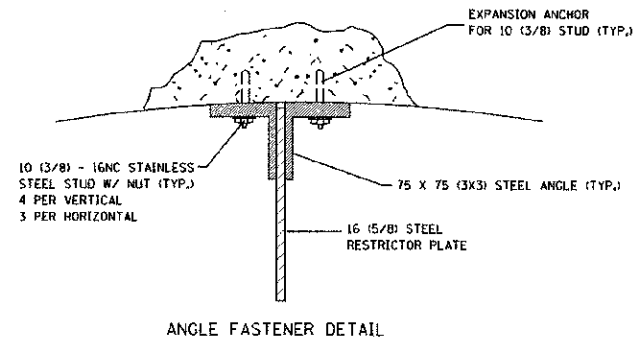


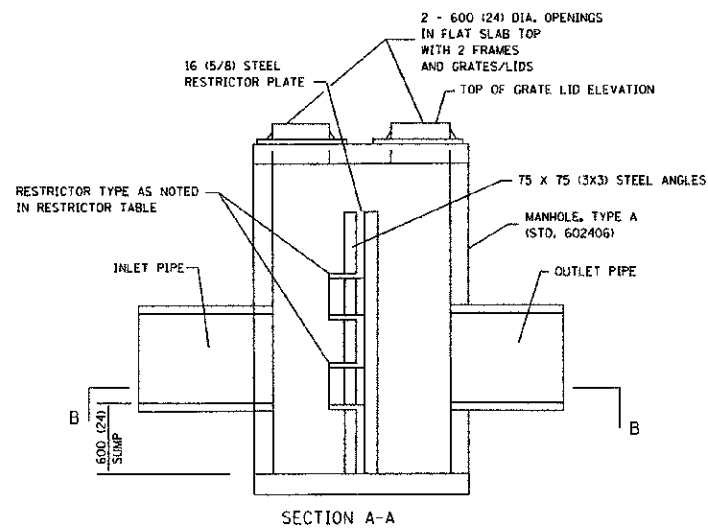
PLAN



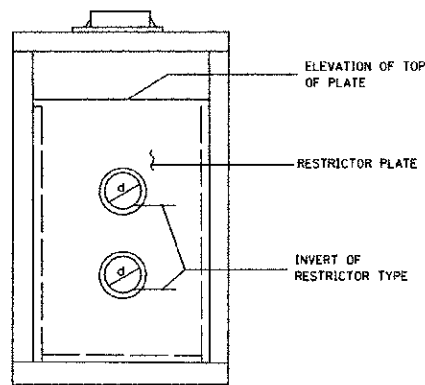
SECTION B-B



ANGLE FASTENER DETAIL



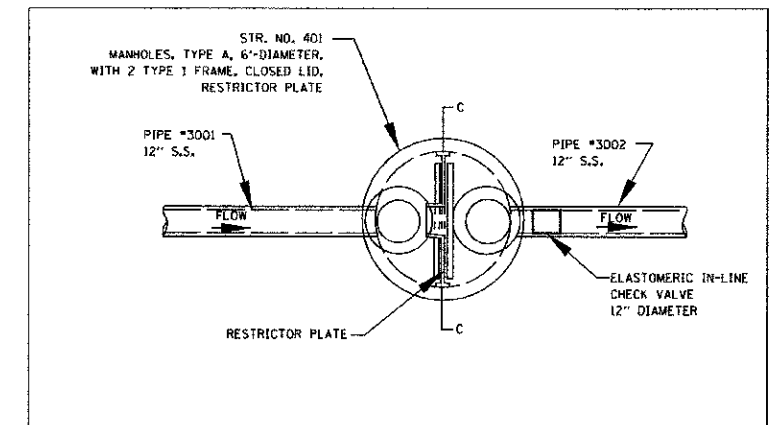
SECTION A-A



SECTION C-C

NOTES:

1. ALL STEEL ANGLES AND PLATES TO BE GALVANIZED AFTER FABRICATION.
2. ALL RESTRICTOR PLATES, ANGLES AND HARDWARE TO BE INCLUDED IN THE COST OF THE MANHOLE.
3. BASIS OF PAYMENT: "MANHOLES, TYPE A, 6 FT-DIAMETER, WITH TWO TYPE 1 FRAME, CLOSED LID, RESTRICTOR PLATE" EACH

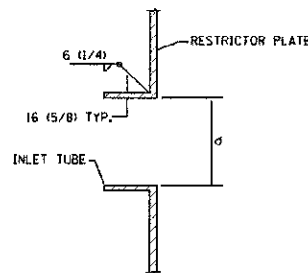


STATION	COORDINATE	MANHOLE DIAMETER	FRAME AND GRATE	RESTRICTOR TYPE	INSIDE RESTRICTOR TYPE DIAMETER mm (in.) (d)	INVERT OF RESTRICTOR TYPE	ELEVATION OF TOP OF PLATE OVERFLOW
350+48.5 492 RT	N 1,834,328.64 E 1,033,322.38	6-FOOT	2 - TY-1 FR. CL.	2 OR 3	d = 4.35 in.	625.88	630.00
		SECOND ORIFICE		2 OR 3	d = 5.10 in.	627.00	

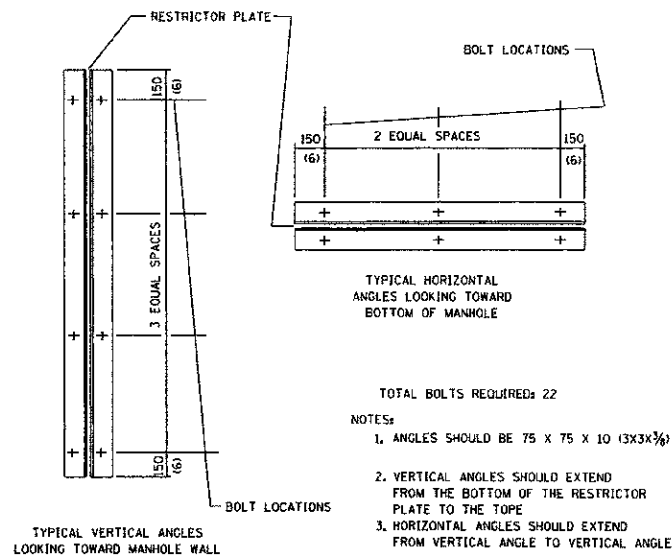
RESTRICTOR TYPE					
1	2	3	4	5	6
RE-ENTRANT TUBE	SHARP EDGED	SQUARE EDGED	RE-ENTRANT TUBE	SQUARE EDGED	ROUNDED
LENGTH: 1/2 DIA		STREAM CLEARS SIDES	LENGTH: 2-1/2 DIA	LENGTH: 2-1/2 DIA	
C=.52	C=.61	C=.61	C=.73	C=.82	C=.98

VALUES OF "C" FOR CIRCULAR AND SQUARE ORIFICES

ALL DIMENSIONS ARE IN MILLIMETERS (INCHES) UNLESS OTHERWISE SHOWN



INLET TUBE DETAIL



STEEL ANGLE BOLTING DETAILS

URS

100 S. WACKER DR., SUITE 500
CHICAGO, IL 60606
TEL (312) 939-4000
FAX (312) 939-4998

USER NAME: r_james.pugh
DESIGNED - JRP
DRAWN - MRF
CHECKED - JRP
DATE - 10/19/2012

REVISIONS
REVISED -
REVISED -
REVISED -
REVISED -

STATE OF ILLINOIS
DEPARTMENT OF TRANSPORTATION

95TH STREET
MANHOLE WITH RESTRICTOR PLATE

SCALE: DRAWING NO. 18 OF 18 STA. TO STA.

F.A.U. RTE. 1644	SECTION 01-00181-00-FP	COUNTY WILL	TOTAL SHEETS 328	SHEET NO. 89
CONTRACT NO. 63647				
ILLINOIS FED. AID PROJECT				