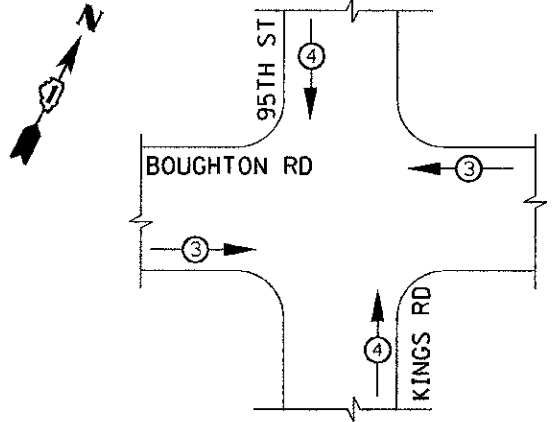


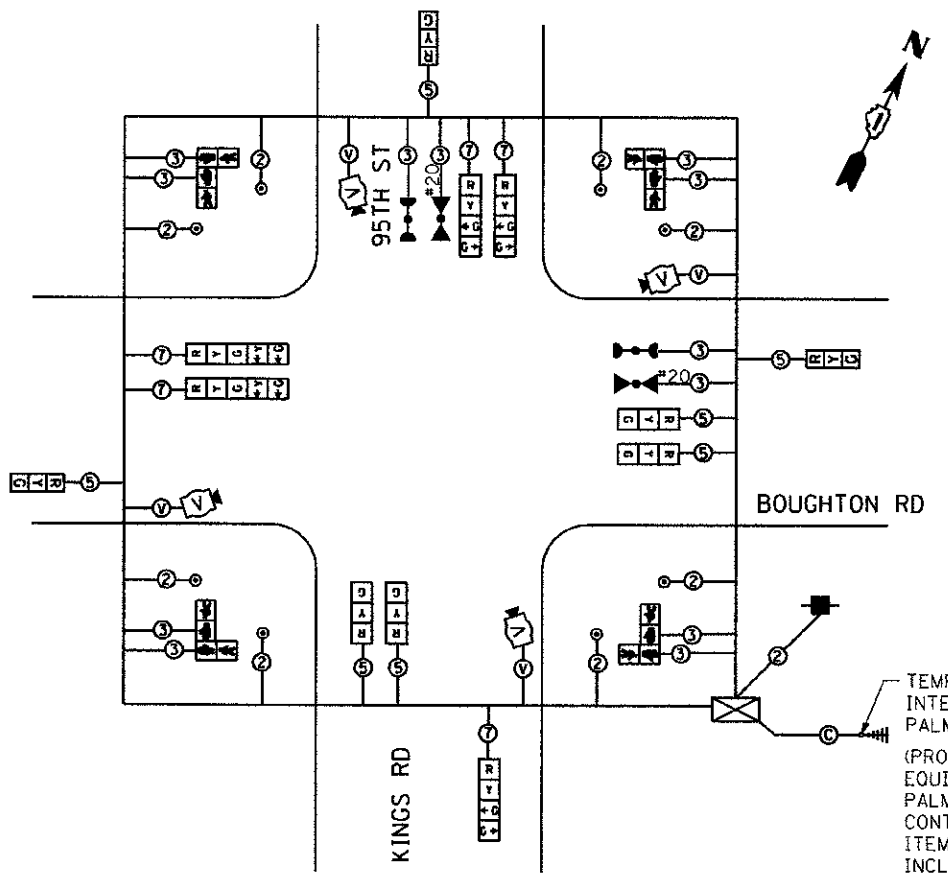
TEMPORARY PHASE DESIGNATION DIAGRAM

THE TRAFFIC SIGNAL CONTROL EQUIPMENT FOR THIS PROJECT SHALL BE ECONOLITE TO MATCH THE EXISTING SYSTEM.



TEMPORARY EMERGENCY VEHICLE PREEMPTION SEQUENCE

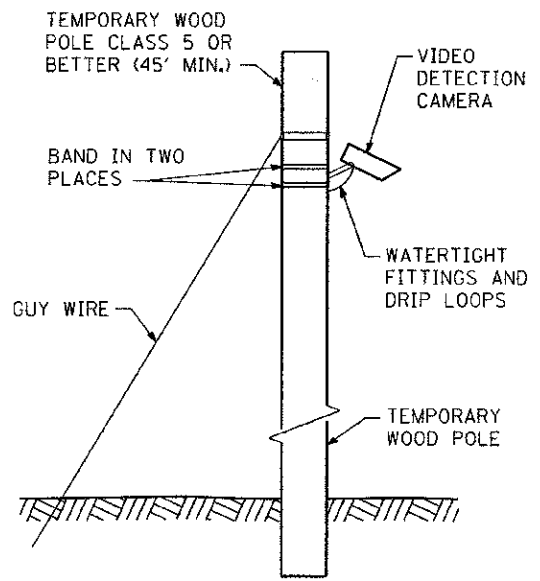
TEMPORARY EMERGENCY VEHICLE PREEMPTORS		
EMERGENCY VEHICLE PREEMPTOR	3	4
MOVEMENT	← →	↓ ↑



TEMPORARY CABLE PLAN

TEMPORARY RADIO INTERCONNECT TO PALMER DRIVE (PROVIDE SIMILAR EQUIPMENT IN PALMER DRIVE CONTROLLER. ALL ITEMS SHALL BE INCLUDED IN PAY ITEM "TEMPORARY TRAFFIC SIGNAL INSTALLATION")

TEMPORARY RADIO INTERCONNECT SHALL NOT BE REMOVED UNTIL FIBER INTERCONNECT TO PALMER DRIVE IS REINSTALLED AND OPERATIONAL.



TEMPORARY VIDEO DETECTION MOUNTING DETAIL (NOT TO SCALE)

RESTORATION OF WORK AREA. RESTORATION OF THE TRAFFIC SIGNAL WORK AREA SHALL BE INCIDENTAL TO THE RELATED PAY ITEM SUCH AS FOUNDATION, CONDUIT, HANDHOLE, TRENCH AND BACKFILL, ETC., AND NO EXTRA COMPENSATION SHALL BE ALLOWED. ALL ROADWAY SURFACES SUCH AS SHOULDERS, MEDIANS, SIDEWALKS, PAVEMENT, ETC. SHALL BE REPLACED IN KIND. ALL DAMAGE TO MOWED LAWNS SHALL BE REPLACED WITH AN APPROVED SOD, AND ALL DAMAGE TO UNMOWED FIELDS SHALL BE SEEDED IN ACCORDANCE WITH STANDARD SPECIFICATIONS 252 AND 250 RESPECTIVELY.

I.D.O.T. TRAFFIC SIGNAL INSTALLATION ELECTRICAL SERVICE REQUIREMENTS					TOTAL WATTAGE
TYPE	NO. LAMPS	WATTAGE INCAND.	LED	% OPERATION	
SIGNAL (RED)	12	-	17	0.50	102.00
(YELLOW)	12	-	25	0.25	75.00
(GREEN)	9	-	15	0.25	33.75
ARROW	10	-	12	0.10	12.00
PED. SIGNAL	8	-	25	1.00	200.00
CONTROLLER	1	-	100	1.00	100.00
ILLUM. SIGN	-	-	25	0.50	-
VIDEO SYSTEM	1	150	-	1.00	150.00
ENERGY COSTS TO:					TOTAL = 672.75

VILLAGE OF BOLINGBROOK
375 BRIARCLIFF ROAD
BOLINGBROOK, ILLINOIS 60440-0951
ENERGY SUPPLY CONTACT: DAVE BOLLINGER
PHONE: (815) 724-5717
COMPANY: COMED

URS 100 S. WACKER DR., SUITE 500, CHICAGO, IL 60606
TEL: (312) 939-1000 FAX: (312) 939-4998

DESIGNED - JRP
DRAWN - MRF
CHECKED - JRP
DATE - 10/19/2012

REVISED -
REVISED -
REVISED -
REVISED -

STATE OF ILLINOIS DEPARTMENT OF TRANSPORTATION

TEMPORARY TRAFFIC SIGNAL INSTALLATION AND TEMPORARY CABLE PLAN
95TH KINGS AND BOUGHTON RD
SCALE: 1" = 20' DRAWING NO. 2 OF 6 STA. TO STA.

F.A.U. RTE. 1644	SECTION 01-00181-00-FF	COUNTY WILL	TOTAL SHEETS 328	SHEET NO. 118
CONTRACT NO. 63647				
ILLINOIS FED. AID PROJECT				