

PROPOSED NAPERVILLE DPU-E
ELECTRIC SERVICE PEDESTAL
STA. 319+47, 58 LT
120/240 VAC, 1Ø, 3 WIRE

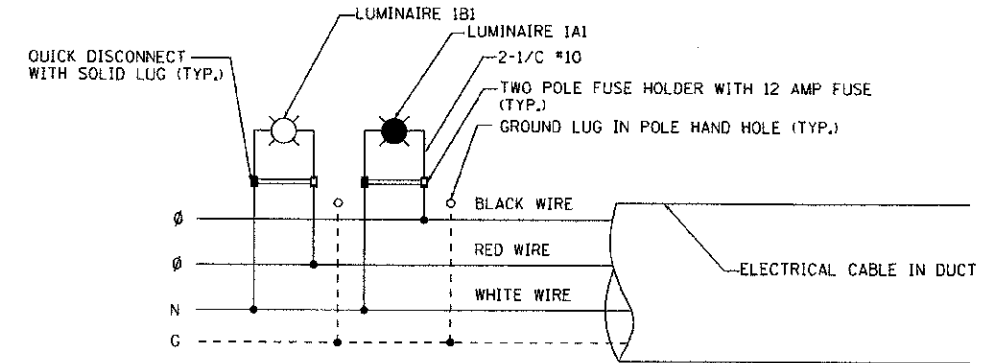
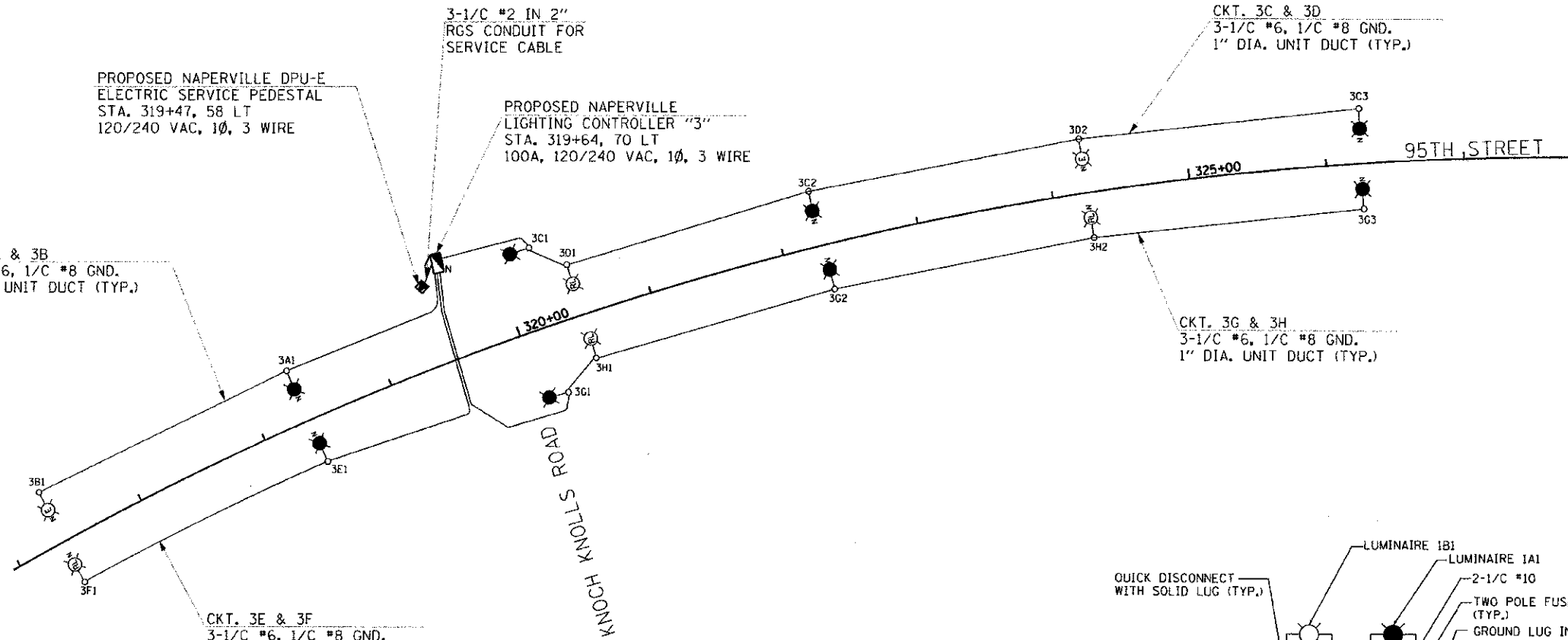
PROPOSED NAPERVILLE
LIGHTING CONTROLLER "3"
STA. 319+64, 70 LT
100A, 120/240 VAC, 1Ø, 3 WIRE

CKT. 3A & 3B
3-1/C #6, 1/C #8 GND.
1" DIA. UNIT DUCT (TYP.)

CKT. 3C & 3D
3-1/C #6, 1/C #8 GND.
1" DIA. UNIT DUCT (TYP.)

CKT. 3G & 3H
3-1/C #6, 1/C #8 GND.
1" DIA. UNIT DUCT (TYP.)

CKT. 3E & 3F
3-1/C #6, 1/C #8 GND.
1" DIA. UNIT DUCT (TYP.)



DETAIL "A"
LUMINAIRE WIRING CONNECTION (TYP.)

LOAD TABLE PROPOSED LIGHTING CONTROLLER "3" (@ 120 VOLTS)					
CIRCUIT	BLACK PHASE		CIRCUIT	RED PHASE	
	AMPS	WATTS		AMPS	WATTS
A	3.1	372	B	3.1	372
C	9.3	1116	D	6.2	744
E	3.1	372	F	3.1	372
G	9.3	1116	H	6.2	744
TOTAL	24.8	2976	TOTAL	18.6	2232

TOTAL LOAD ON CONTROLLER (@120 V): **43.4 AMP**

- LEGEND**
- PROPOSED LIGHTING CONTROLLER, SINGLE DOOR, 100A, 120/240V, 1Ø CITY OF NAPERVILLE MAINTAINED
 - PROPOSED/RELOCATED/EXISTING LIGHTING UNIT 40' M.H., 12" M.A., 310W HPS TYPE MC-III, 120V LUMINAIRE (BLACK PHASE)
 - PROPOSED/RELOCATED/EXISTING LIGHTING UNIT 40' M.H., 12" M.A., 310W HPS TYPE MC-III, 120V LUMINAIRE (RED PHASE)
 - PROPOSED ELECTRIC SERVICE PEDESTAL

NOTES:

1. ELECTRIC SERVICES FOR ALL NAPERVILLE MAINTAINED LIGHTING CONTROLLERS SHALL BE FED FROM NAPERVILLE DEPARTMENT OF PUBLIC UTILITIES-ELECTRICAL (NDPU-E) DESIGNATED SERVICE TRANSFORMERS OR PEDESTALS.
2. CONTRACTOR SHALL FURNISH AND INSTALL CONDUIT, CABLE AND TRENCHING (OR PUSHING) FOR SERVICE CONNECTION TO UTILITY TRANSFORMER OR PEDESTAL. THE EXACT LOCATION OF THE SERVICE TRANSFORMER SHALL BE DETERMINED BY THE UTILITY. FINAL CONNECTION TO THE TRANSFORMER MUST BE MADE BY THE UTILITY COMPANY.
3. ELECTRIC SERVICES TO THE NAPERVILLE MAINTAINED LIGHTING CABINETS ARE NOT METERED.
4. ALL ELECTRIC SERVICE AND BRANCH CIRCUIT CONDUCTORS SHALL BE XLP TYPE USE-2.



100 S. WACKER DR.
SUITE 500
CHICAGO, IL 60606
TEL (312) 939-1000
FAX (312) 939-4198

USER NAME: jgenib.0001
PLT. SCALE: 1/8" = 1'-0"
PLT. DATE: 3/16/2012

DESIGNED MAE
DRAWN MAE
CHECKED DAD
DATE 2/1/2012

REVISED -
REVISED -
REVISED -
REVISED -

STATE OF ILLINOIS
DEPARTMENT OF TRANSPORTATION

95TH STREET
PROPOSED WIRING DIAGRAM - NAPERVILLE CONTROLLER "3"
SCALE: NONE DRAWING NO. 20 OF 30 STA. 316+00 TO STA. 326+25

F.A.U. RTE. 1644	SECTION 01-00181-00-FP	COUNTY WILL	TOTAL SHEETS 328	SHEET NO. 148
CONTRACT NO. 63647				ILLINOIS FED. AID PROJECT

FILE NAME: s:\work\10_25\312\1001\1001.dwg USER: jgenib DATE: 3/16/2012