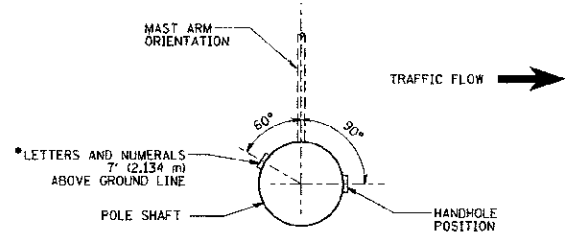
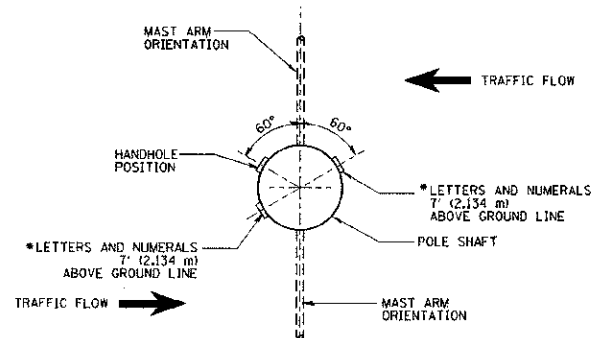


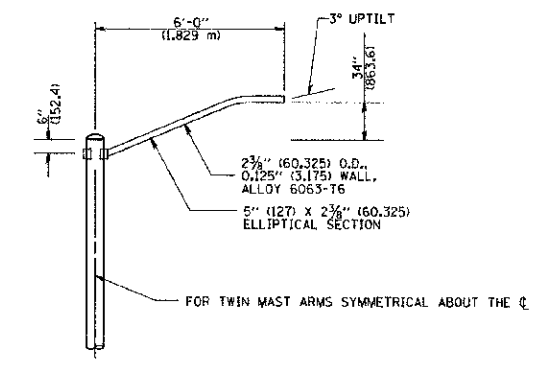
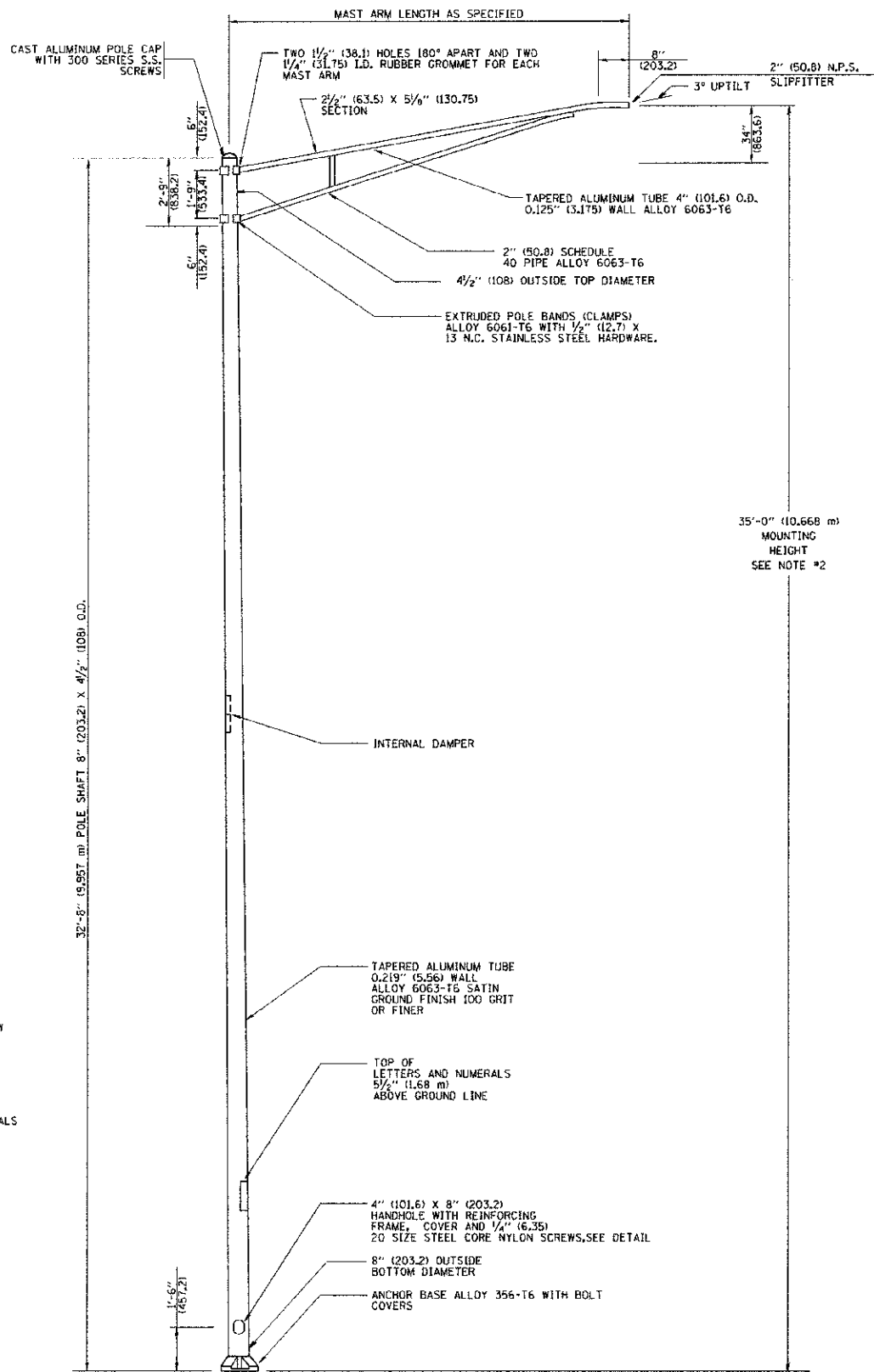
POSITION OF HANDHOLE AND POLE NUMBER FOR SINGLE MAST ARM POLES MOUNTED ON BRIDGE PARAPET OR BARRIER WALL



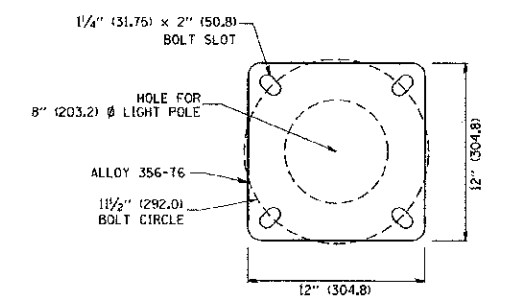
POSITION OF HANDHOLE AND POLE NUMBER FOR SINGLE MAST ARM POLES



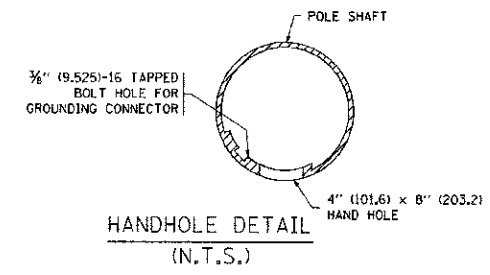
POSITION OF HANDHOLE AND POLE NUMBER FOR TWIN MAST ARM POLES



6' (1.8 m) SINGLE MEMBER MAST ARM (N.T.S.)



LIGHT POLE BASE PLATE DETAIL
11 1/2" (292.0) BOLT CIRCLE



HANDHOLE DETAIL (N.T.S.)

- NOTES:
1. ALL DIMENSIONS ARE IN INCHES (MILLIMETERS) UNLESS OTHERWISE SHOWN.
 2. MOUNTING HEIGHT IS DEFINED AS THE DISTANCE FROM THE CENTERLINE OF THE TENON TO THE BOTTOM OF THE ANCHOR BASE.
 3. THE LIGHT POLE WILL MEET AASHTO DESIGN CRITERIA AS SPECIFIED.
 4. THE INSTALLING CONTRACTOR WILL PROVIDE A UL LISTED GROUNDING CONNECTOR, BURNDY K2C23, T&B SP4DL OR APPROVED EQUAL.
 5. LIGHT POLES WILL NOT BE INSTALLED WITHOUT MAST ARMS AND LUMINAIRES.
 6. LIGHT POLES WILL BE SET PLUMB ON THE FOUNDATION WITHOUT THE USE OF LEVELING NUTS, WASHERS OR SHIMS.
 7. LIGHTING UNIT IDENTIFICATION NUMBERS SHALL BE INSTALLED BEFORE THE LIGHTING UNIT IS ENERGIZED.

THIS STANDARD APPLIES TO WORK WITHIN VILLAGE OF BOLINGBROOK

FILE NAME * W:\drcstd\22x34\be402.dgn	USER NAME * gajlionobt	DESIGNED - DRAWN -	REVISED - R. TOMSONS 09-06-00 REVISED - R. TOMSONS 09-02-03	STATE OF ILLINOIS DEPARTMENT OF TRANSPORTATION	ALUMINUM LIGHT POLE 35'-0" (10.668 m) MOUNTING HEIGHT			F.A.U. RTE. 1644	SECTION 01-00181-00-PP	COUNTY WILL	TOTAL SHEETS 328	SHEET NO. 157
PLOT SCALE = 50.000' / IN.	CHECKED -	REVISED -	SCALE: NONE		SHEET NO. 1 OF 1 SHEETS	STA.	TO STA.	BE-402		CONTRACT NO. 63647		
PLOT DATE = 1/17/2008	DATE -	REVISED -	FED. ROAD DIST. NO. 1 ILLINOIS FED. AID PROJECT									