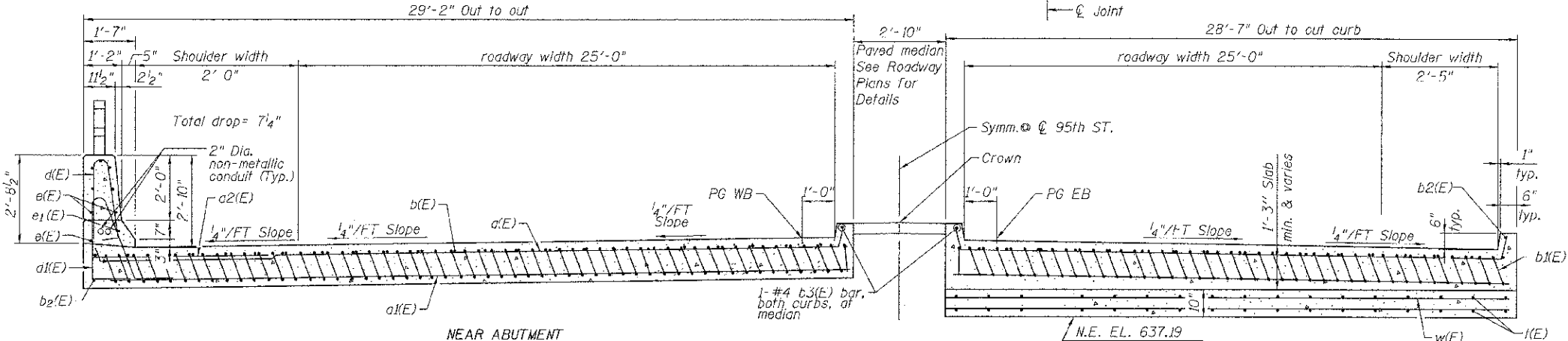
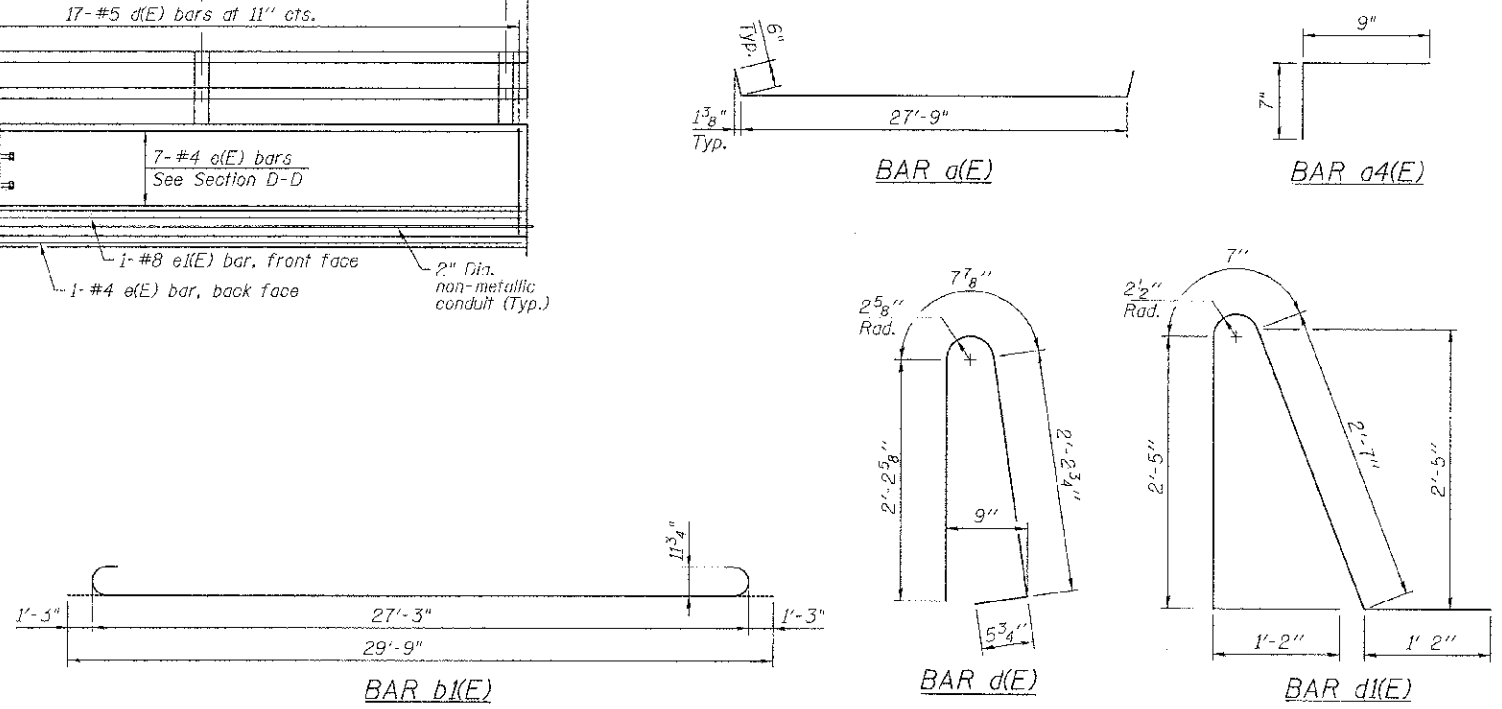
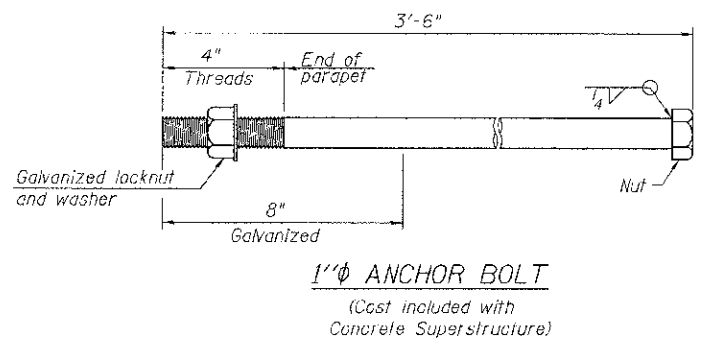
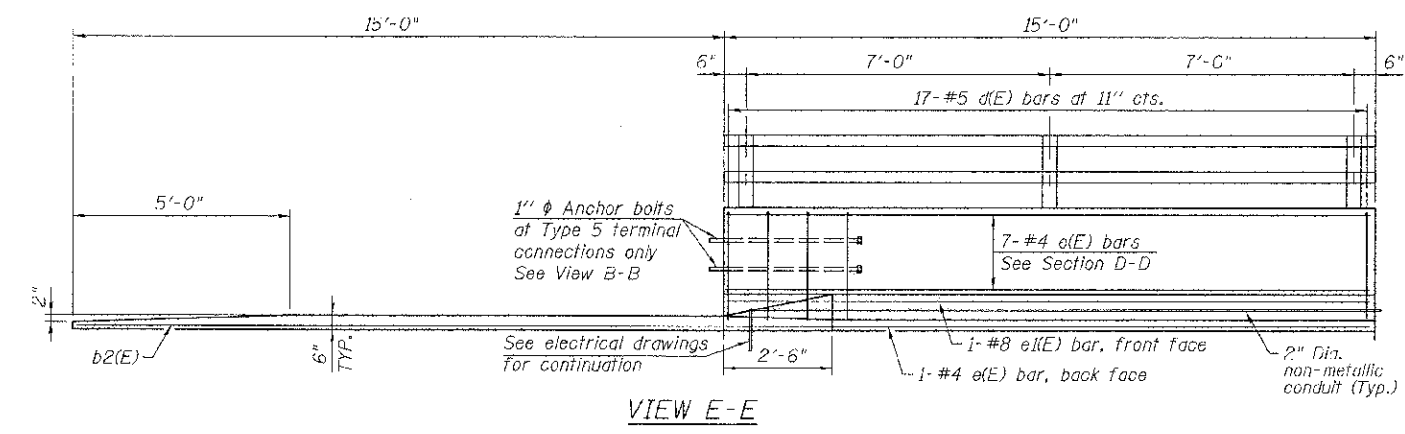


Notes:  
 See East Approach Slab Sheet for Detail A and locations of Sections C-C, D-D, and E-E.  
 Approach slab and parapet concrete shall be paid for as Concrete Superstructure.  
 Approach footing concrete shall be paid for as Concrete Structures.  
 Reinforcement shall be paid for as Reinforcement Bars, Epoxy Coated.  
 For v(E) bar details, see sheet Superstructure Details 2.  
 The approach footing maximum applied service bearing pressure (Q<sub>max</sub>) = 2.0 ksf.  
 For bar splicer details, see Bar Splicer Details sheet.  
 Cost of excavation for approach footing included with Concrete Structures.  
 For Porous Granular Embankment (Special) and drainage treatment details, see Abutment Detail sheets.  
 For additional parapet details, see Superstructure Detail sheet.  
 See Bicycle railing sheet for parapet Railing Details.



\* Tilt #9 b(E) bars as required to maintain clearance.  
 \*\* The cost of expansion anchors/inserts is included in the cost of Reinforcement Bars, Epoxy Coated.  
 \*\*\* Cost included with Concrete Superstructure.  
 \*\*\*\* Full width along joint - Backer rods not required.



**EAST APPROACH BILL OF MATERIAL**

Bar	No.	Size	Length	Shape
a(E)	50	#4	28'-9"	
c1(E)	92	#5	28'-3"	
a2(E)	24	#6	6'-6"	
b(E)	46	#4	29'-8"	
b1(E)	138	#9	29'-5"	
b2(E)	4	#4	14'-8"	
b3(E)	2	#5	29'-8"	
d(E)	34	#5	5'-7"	
d1(E)	34	#5	7'-11"	
e(E)	16	#4	14'-8"	
e1(E)	2	#8	14'-8"	
k(E)	120	#4	10'-5"	
v(E)	80	#5	30'-4"	
Concrete Superstructure	Cu. Yd.		92.7	
Concrete Structures	Cu. Yd.		19.0	
Reinforcement Bars, Epoxy Coated	Pound		22,960	
Bridge Deck Grooving	Sq. Yd.		167	
Protective Coat	Sq. Yd.		203	

Reinforcement bar designated (E) shall be epoxy coated.  
 Bars indicated thus 20X3 - #5 etc. indicates 20 lines of bars with 3 lengths per line.

FILE NAME: c:\p\261-23387381-09th\drawings\contract\east\sub\structure\15\15-12 East approach slab final.dwg

<b>URS</b> 100 S. WACKER DR., SUITE 500 CHICAGO, IL 60606 TEL (312) 939-4000 FAX (312) 939-4998	USER NAME = STB*	DESIGNED - STB	REVISED -
	PLOT SCALE = 2x1 1/2" / IN.	CHECKED - NPP	REVISED -
	PLOT DATE = 10/16/2012	DRAWN - SOI	REVISED -
		CHECKED - NPP	REVISED -

**STATE OF ILLINOIS DEPARTMENT OF TRANSPORTATION**

**EAST APPROACH SLAB DETAILS STRUCTURE NO. 099-3035**

F.A.U. RTE.	SECTION	COUNTY	TOTAL SHEETS
1644	01-00181-00-FP	WILL	328 / 170
			CONTRACT NO. 63647
ILLINOIS FED. AID PROJECT			