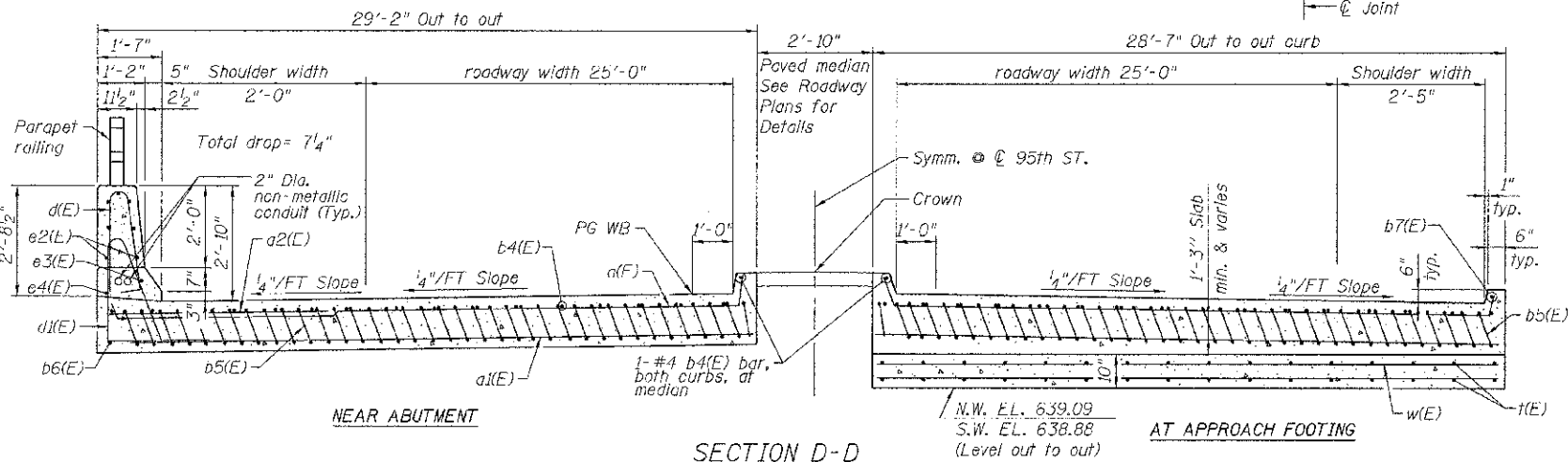
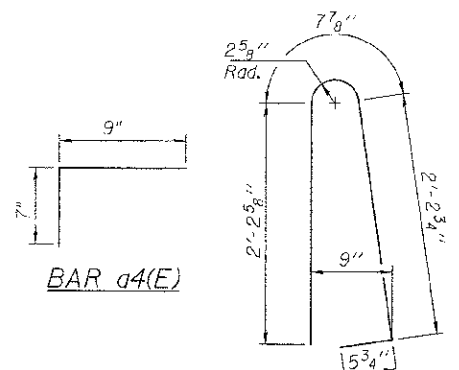
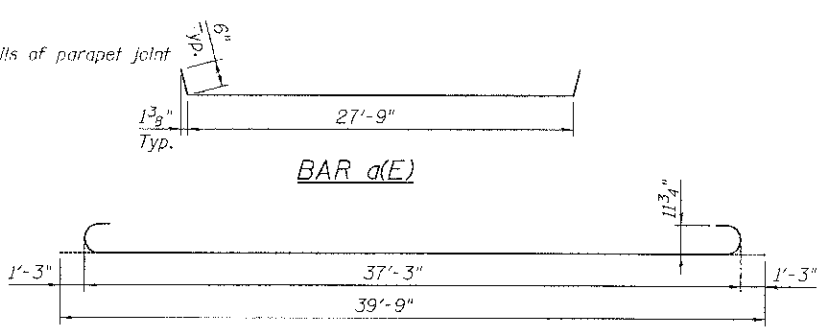
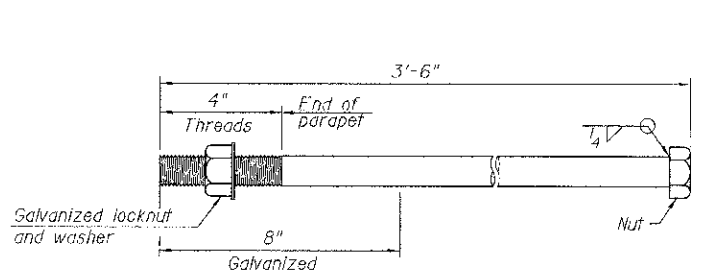
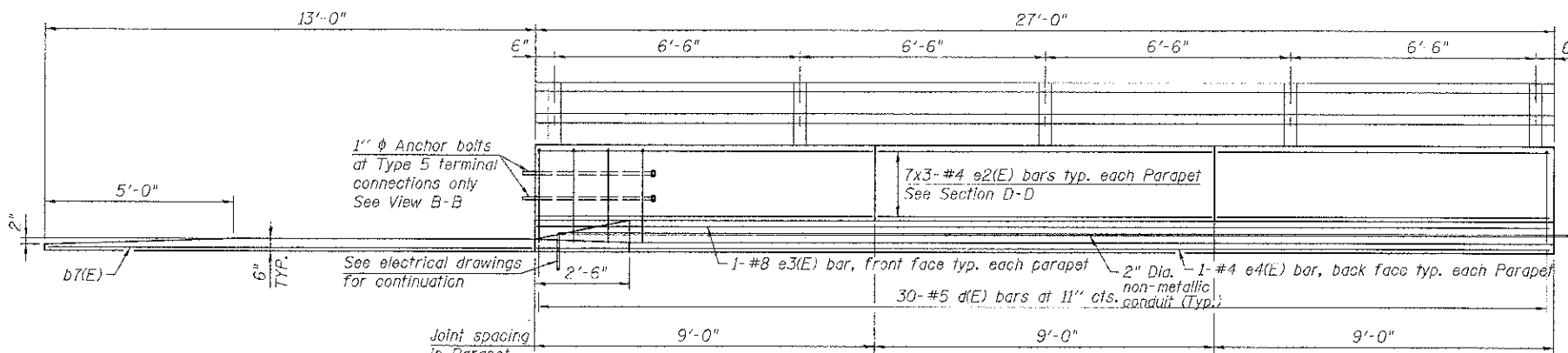


Notes:  
 See West Approach Slab sheet for Detail A and locations of Sections C-C, D-D, C-C & View B-B  
 Approach slab and parapet concrete shall be paid for as Concrete Superstructure.  
 Approach footing concrete shall be paid for as Concrete Structures.  
 Reinforcement shall be paid for as Reinforcement Bars, Epoxy Coated.  
 For v(E) bar details, see sheet Superstructure Details 2.  
 The approach footing maximum applied service bearing pressure (Qmax) = 2.0 ksf.  
 For bar splicer details, see Bar Splicer Details sheet.  
 Cost of excavation for approach footing included with Concrete Structures.  
 For Porous Granular Embankment (Special) and drainage treatment details, see Abutment Detail sheets.  
 For additional parapet details, see Superstructure Detail sheet.  
 See Bicycle Railing sheet for parapet railing details.



- \* Tilt #9 b1(E) bars as required to maintain clearance.
- \*\* The cost of expansion anchors/inserts is included in the cost of Reinforcement Bars, Epoxy Coated.
- \*\*\* Cost included with Concrete Superstructure.
- \*\*\*\* Full width along joint - Backer rods not required.



WEST APPROACH BILL OF MATERIAL

Bar	No.	Size	Length	Shape
a(E)	66	#4	28'-9"	
a1(E)	122	#5	28'-3"	
a2(E)	44	#6	6'-6"	
b4(E)	48	#4	39'-8"	
b5(E)	138	#9	39'-9"	
b6(E)	2	#4	26'-8"	
b7(E)	2	#4	12'-8"	
d(E)	60	#5	5'-1"	
d1(E)	60	#5	7'-11"	
e2(E)	42	#4	8'-8"	
e3(E)	2	#8	26'-8"	
e4(E)	2	#4	26'-8"	
k(E)	120	#4	10'-5"	
w(E)	80	#5	30'-4"	
Concrete Superstructure	Cu. Yd.	123.1		
Concrete Structures	Cu. Yd.	19.0		
Reinforcement Bars, Epoxy Coated	Pound	29,900		
Bridge Deck Grooving	Sq. Yd.	222		
Protective Coat	Sq. Yd.	281		

Reinforcement bar designated (E) shall be epoxy coated.



100 S. WACKER DR. SUITE 500 CHICAGO, IL 60605 TEL (312) 339-1000 FAX (312) 339-4998	USER NAME - #STB#	DESIGNED - STB	REVISED -
PLOT SCALE = 2H 1/4" = 1"	CHECKED - NPP	CHECKED - NPP	REVISED -
PLOT DATE = 10/16/2012	DRAWN - SOI	DRAWN - SOI	REVISED -
	CHECKED - NPP	CHECKED - NPP	REVISED -

STATE OF ILLINOIS  
DEPARTMENT OF TRANSPORTATION

WEST APPROACH SLAB DETAILS  
STRUCTURE NO. 099-3035

F.A.I. RTE. 1644	SECTION 01-00181-00-FP	COUNTY WILL	TOTAL SHEETS 328	SHEET NO. 172
SHEET NO. 14 OF 36 SHEETS			CONTRACT NO. 63647	
ILLINOIS FED. AID PROJECT				