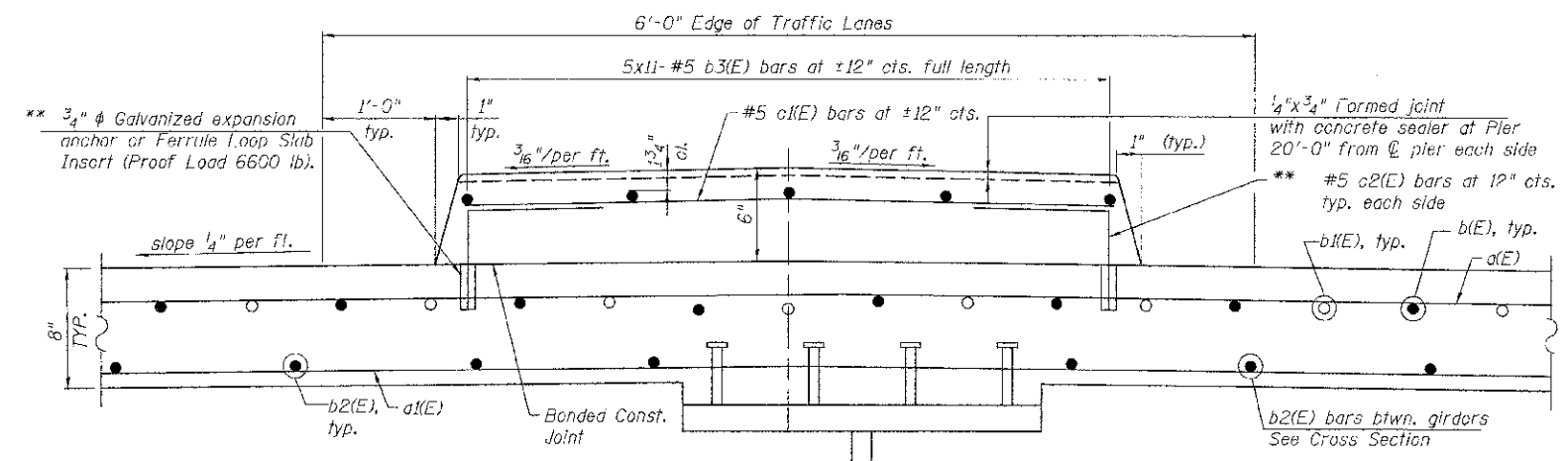
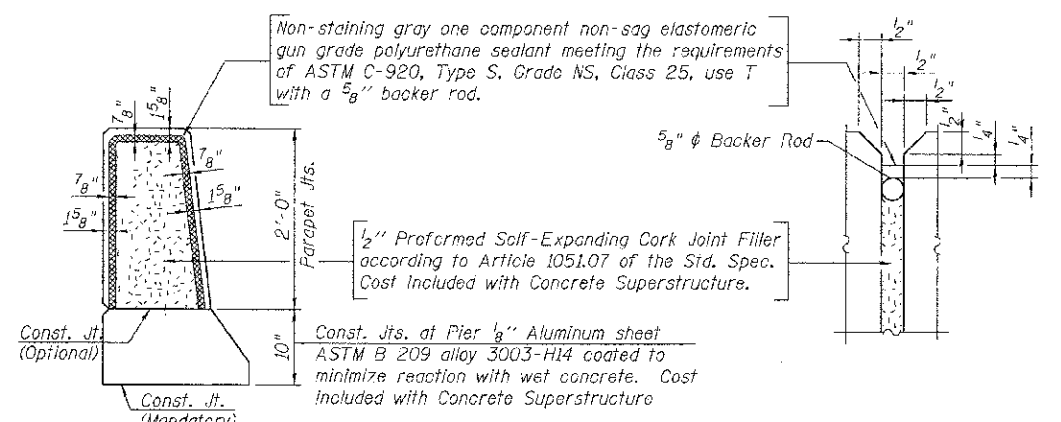
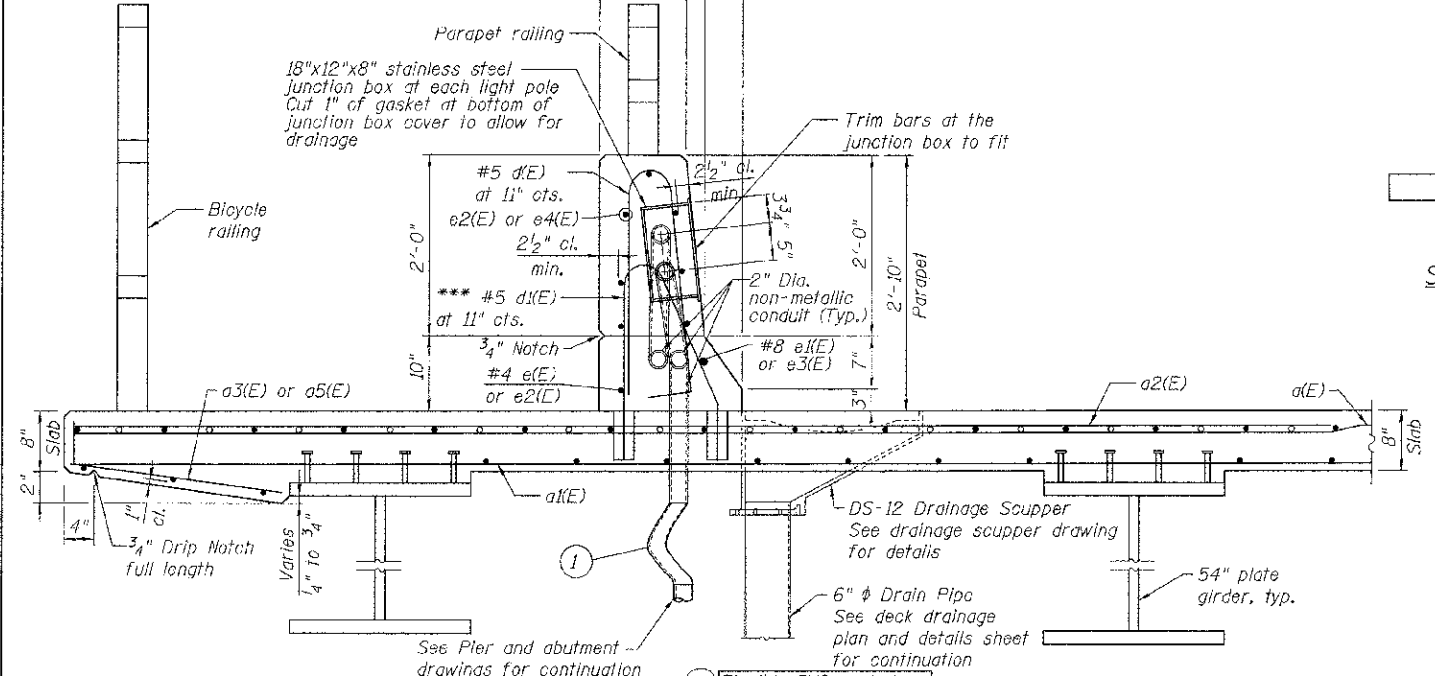


MINIMUM BAR LAP
 (Parapet)
 #4 bar = 2'-0"
 #8 bar = 5'-5"

INSIDE ELEVATION OF PARAPET



*** Core and set #5 d(E) bars according to Article 509.06 of the Standard Specifications. Corod holes shall be roughened or scored per manufacturer's recommendations. Maximum depth of hole shall not exceed 6".



Notes:
 Reinforcement bars designate (E) shall be epoxy coated.
 Reinforcement bars shall not pass through aluminum sheets and cork joint filler.

FILE NAME = c:\wddoh\25367381\25367381\25367381\Structure\Bridg\01\egp\Control\Copy\16 Superstructure Details.dwg

URS
 100 S. WACKER DR.
 SUITE 500
 CHICAGO, IL 60605
 TEL (312) 939-1000
 FAX (312) 939-4998

| | | |
|-------------------|----------------|-----------|
| USER NAME = *STB* | DESIGNED - STB | REVISED - |
| CHECKED - NPP | CHECKED - NPP | REVISED - |
| DRAWN - SOI | DRAWN - SOI | REVISED - |
| CHECKED - NPP | CHECKED - NPP | REVISED - |

STATE OF ILLINOIS
DEPARTMENT OF TRANSPORTATION

SUPERSTRUCTURE DETAILS - 1
STRUCTURE NO. 099-3035

SHEET NO. 16 OF 38 SHEETS

| | | | | |
|--------------------|------------------------|-------------|------------------|---------------------------|
| F.A.U. RTE. 1644 | SECTION 01-00181-00-FP | COUNTY WILL | TOTAL SHEETS 328 | SHEET NO. 174 |
| CONTRACT NO. 63647 | | | | ILLINOIS FED. AID PROJECT |