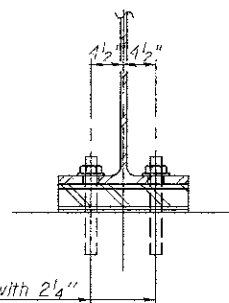


1/8" elastomeric neoprene leveling mat according to the material properties of Article 1052.02 of the Standard Specifications. Cost included with Structural Steel.

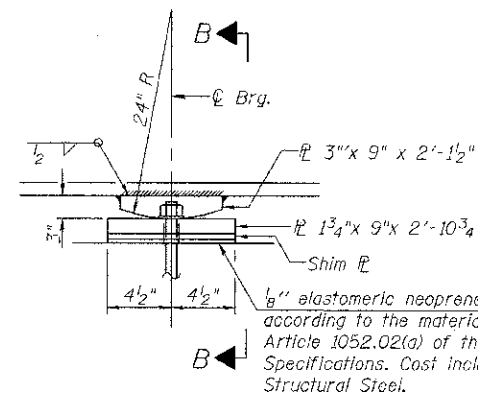
ELEVATION AT ABUTMENT



1" ϕ x 12" anchor bolts with 2 1/4" x 2 1/4" x 3/16" \mathbb{E} washer under nut. 1 3/8" x 2" slotted hole in flange. 1 1/2" ϕ holes in bearing plate.

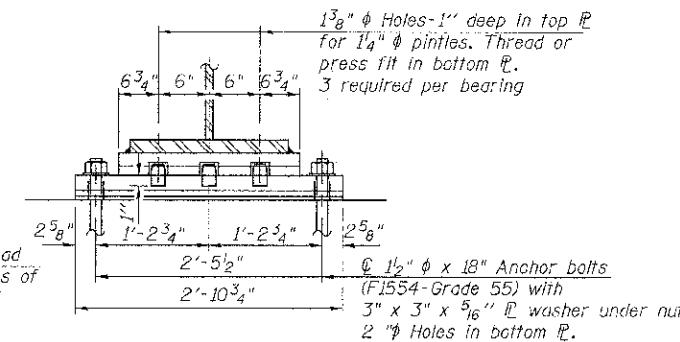
SECTION A-A

FIXED BEARING AT ABUTMENTS
(20 Required)

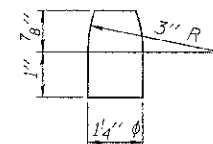


ELEVATION AT PIER

FIXED BEARING AT PIER
(10 Required)



SECTION B-B



PINTLE

Notes:
Anchor bolts shall be ASTM F1554 Grade 55 all-thread (or an Engineer-approved alternate material) of the grade(s) and diameter(s) specified. The corresponding specified Grade of AASHTO M314 anchor bolts may be used in lieu of ASTM F1554.
Anchor bolts may be either cast in place or installed in holes drilled after the supported member is in place. Drilled and set anchor bolts shall be installed according to Article 521.06 of the Standard Specifications.
The structural steel plates and pintels of the bearing assembly shall conform to the requirements of AASHTO M270 Grade 50W.

BILL OF MATERIAL

Item	Unit	Total
Anchor Bolts, 1"	Each	40
Anchor Bolts, 1 1/2"	Each	20

FILE NAME = c:\web\04_25367281_06\td\drawings\contract\kuh\Structure\Bridges\I-2E-1 & D00090\Bearing Details.dgn

I-2E-1 & D00090 7-1-10

URS
100 S. WACKER DR.
SUITE 500
CHICAGO, IL 60605
TEL (312) 939-1000
FAX (312) 939-4698

USER NAME = *STB*	DESIGNED - STB	REVISED -
PLOT SCALE = 1/4" = 1' / IN.	CHECKED - NPP	REVISED -
PLOT DATE = 12/16/2012	DRAWN - SOI	REVISED -
	CHECKED - NPP	REVISED -

STATE OF ILLINOIS
DEPARTMENT OF TRANSPORTATION

BEARING DETAILS
STRUCTURE NO. 099-3035

SHEET NO. 20 OF 38 SHEETS

P.A.U. RTE.	SECTION	COUNTY	TOTAL SHEETS	SHEET NO.
1644	01-00181-00-FP	WILL	328	178
CONTRACT NO. 63647			ILLINOIS FED. AID PROJECT	