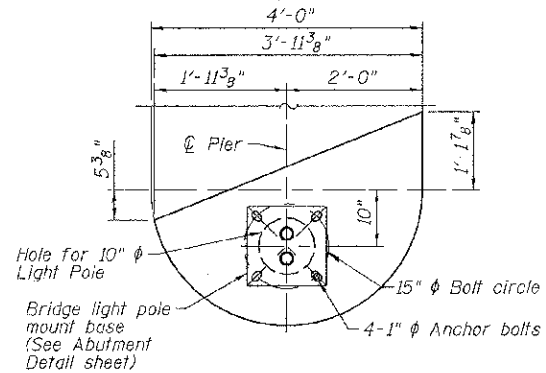
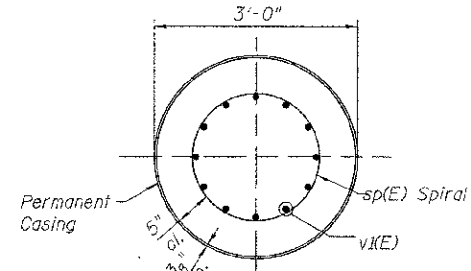


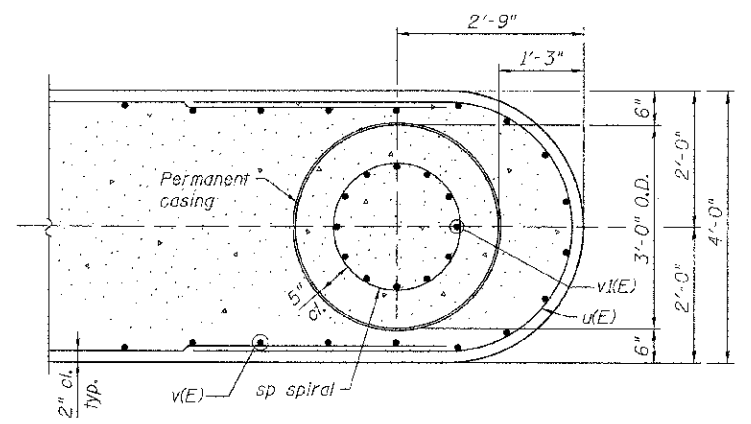
SECTION C-C  
SOUTH PIER LIGHT PEDESTAL SHOWN  
NORTH PIER LIGHT PEDESTAL SIMILAR



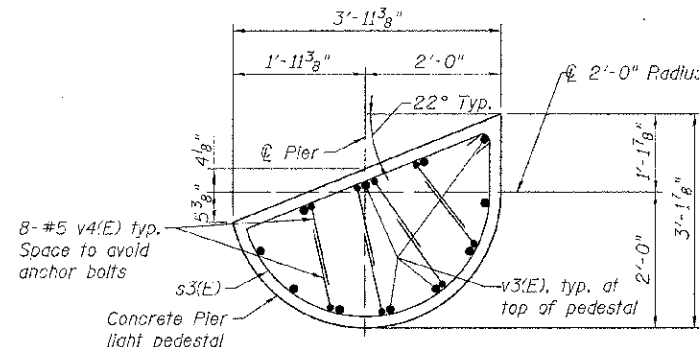
SECTION F-F



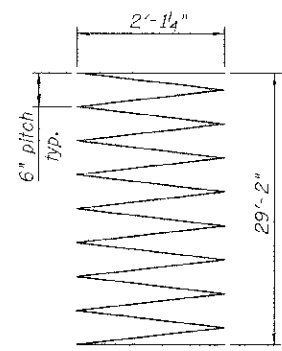
SECTION D-D



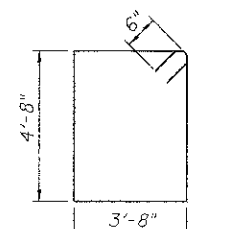
SECTION B-B



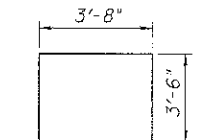
SECTION G-G



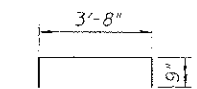
BARS sp(E) SPIRAL



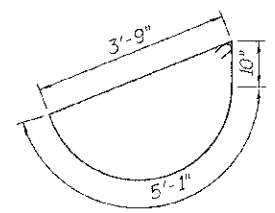
BAR s(E)



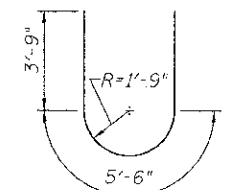
BAR s1(E)



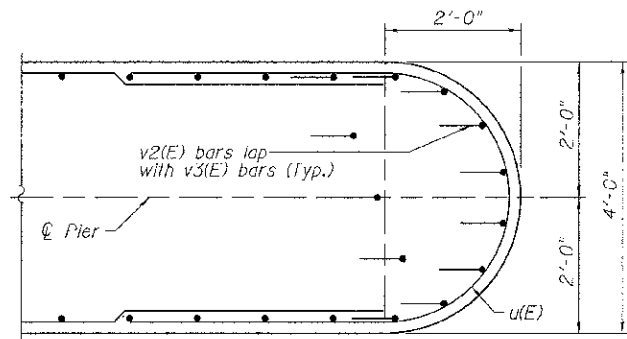
BAR s2(E)



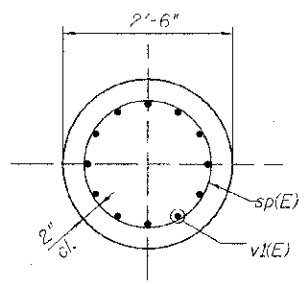
BARS s3(E)



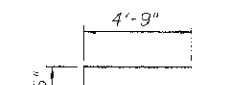
BAR u(E)



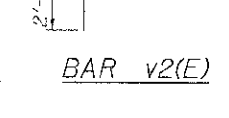
SECTION H-H



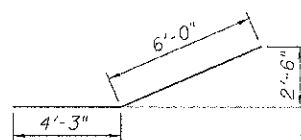
SECTION E-E



BAR v2(E)



BAR v4(E)



BAR p6(E)

**BILL OF MATERIAL**

Bar	Size	No.	Length	Shape
h(E)	#5	36	38'-6"	—
p1(E)	#11	12	48'-3"	—
p2(E)	#5	4	45'-0"	—
p3(E)	#11	12	48'-0"	—
p4(E)	#5	12	44'-6"	—
p5(E)	#5	6	8'-7"	—
p6(E)	#7	12	10'-3"	—
s(E)	#5	83	17'-8"	□
s1(E)	#5	16	10'-8"	U
s2(E)	#5	46	5'-2"	U
s3(E)	#5	22	10'-8"	U
sd1	#4	11	* 29'-2"	W
u(E)	#5	24	13'-0"	U
v(E)	#5	168	10'-7"	—
v1(E)	#9	132	33'-2"	—
v2(E)	#5	22	7'-3"	—
v3(E)	#5	22	10'-2"	—
v4(E)	#5	16	3'-9"	—
Concrete Structures	Cu. Yd.	172.7		
Cofferdam Excavation	Cu. Yd.	30		
Reinforcement Bars, Epoxy Coated	Pound	32,050		
Cofferdam (Type I) (Location-1)	Each	1		
Drilled Shaft in Soil	Cu. Yd.	42.1		
Drilled Shaft in Rock	Cu. Yd.	11.0		

\* Length indicated is height of spiral.  
\*\* Weight of spiral bar is based on actual length, not length indicated on bar detail.

**NOTES:**

For the locations of Sections B-B, C-C D-D & E-E See Pier sheet

FILE NAME: g:\web\h... 203367381\_0914\drawings\structure\pier\pier\pier.dwg  
 USER: g:\web\h... 203367381\_0914\drawings\structure\pier\pier\pier.dwg  
 DATE: 10/15/2012

**URS**  
 100 S. WACKER DR.  
 SUITE 500  
 CHICAGO, IL 60606  
 TEL (312) 939-1000  
 FAX (312) 939-4998

USER NAME = STB#	DESIGNED - STB	REVISED -
PLOT SCALE = 1/4" = 1'-0"	CHECKED - NPP	REVISED -
PLOT DATE = 10/15/2012	DRAWN - SOI	REVISED -
	CHECKED - NPP	REVISED -

**STATE OF ILLINOIS  
 DEPARTMENT OF TRANSPORTATION**

**PIER DETAILS  
 STRUCTURE NO. 099-3035**  
 SHEET NO. 22 OF 38 SHEETS

F.A.U. RTE. 1644	SECTION 01-30181-00-FP	COUNTY WILL	TOTAL SHEETS 328	SHEET NO. 180
CONTRACT NO. 63647				ILLINOIS FED. AID PROJECT