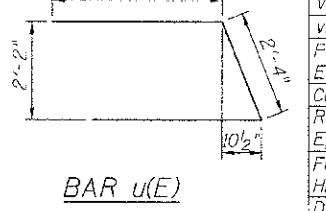
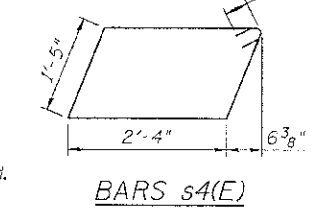
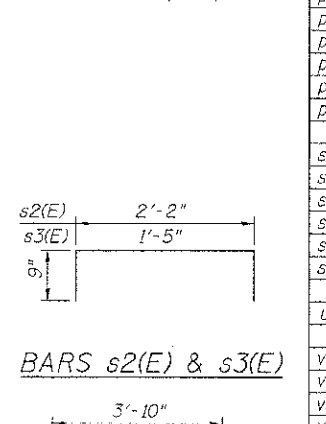
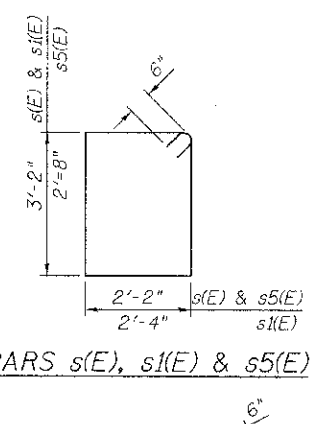
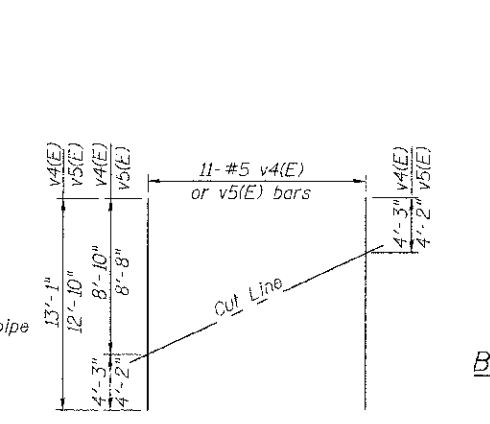
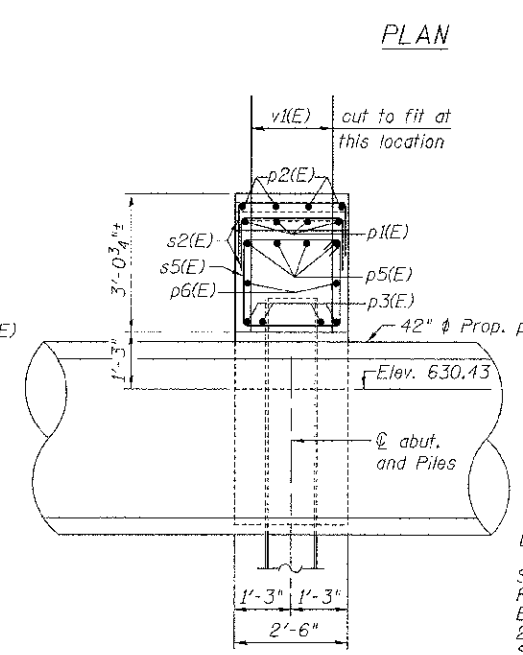
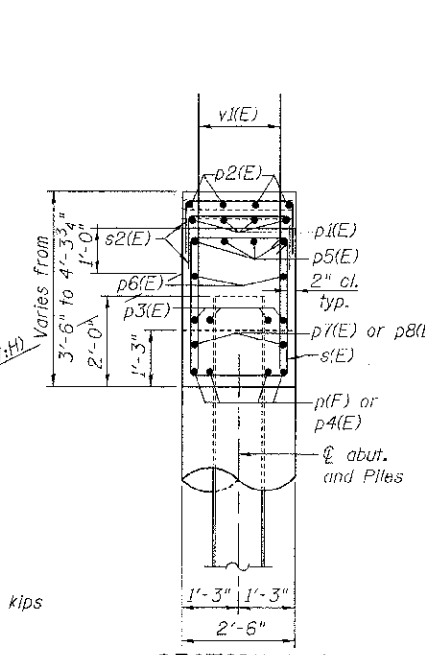
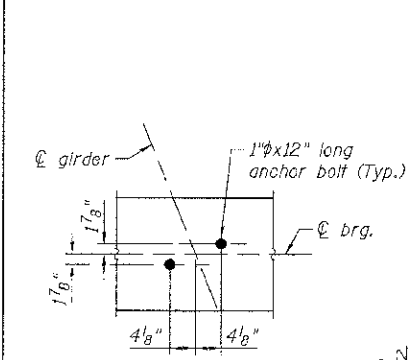


BILL OF MATERIAL

Bar	Size	No.	Length	Shape
d(E)	#5	20	5'-7"	
h(E)	#5	44	13'-6"	
p(E)	#7	4	47'-3"	
p1(E)	#5	8	37'-1"	
p2(E)	#5	1	26'-7"	
p3(E)	#11	4	22'-0"	
p4(E)	#7	4	39'-9"	
p5(E)	#8	8	50'-0"	
p6(E)	#5	4	47'-5"	
p7(E)	#5	2	39'-9"	
p8(E)	#5	2	47'-3"	
s(E)	#5	63	11'-8"	
s1(E)	#5	2	12'-0"	
s2(E)	#5	73	3'-8"	
s3(E)	#5	8	2'-11"	
s4(E)	#5	22	8'-6"	
s5(E)	#5	11	10'-8"	
u(E)	#6	8	10'-0"	
v1(E)	#5	156	5'-11"	
v2(E)	#5	20	9'-10"	
v3(E)	#5	16	2'-0"	
v4(E)	#5	22	13'-1"	
v5(E)	#5	22	12'-10"	
Forous Granular Embankment, Special Concrete Structures	Cu. Yd.	144		
Reinforcement Bars Epoxy Coated	Cu. Yd.	42.0		
Furnishing Steel Piles HP14x73	Foot	609		
Driving Piles HP14x73	Foot	609		
Test Pile Steel HP14x73	Each	1		
Concrete Encasement	Cu. Yd.	12		
Pile Shoes	Each	22		



PILE DATA
 Type: HP14x73 with pile shoes
 Nominal Required Bearing set in rock: 578 kips
 Factored Resistance Available: 193 kips
 Est. Length: 29'
 No. Production Piles: 21
 No. Test Piles: 1
 Estimated top of rock varies from EL. 612.80 to EL. 608.68

Notes:
 See Piles and Concrete Encasement sheet for details.
 Reinforcement bar designated (E) shall be epoxy coated.
 Bars indicated thus 20x3 - #5 etc. indicates 20 lines of bars with 3 lengths per line.
 See Sheet East Abutment details for Detail 2 and Section B-B
 Contractor is responsible for accurate placement of piles and encasement to avoid conflict with 42" I.D. drain pipe
 Minimum bar lap lengths for #8 bars is 3'-8" and for #5 bars is 2'-2".



DESIGNED - STD	REVISIONS -
CHECKED - NPP	REVISIONS -
DRAWN - SOI	REVISIONS -
CHECKED - NPP	REVISIONS -

**STATE OF ILLINOIS
 DEPARTMENT OF TRANSPORTATION**

**EAST ABUTMENT
 STRUCTURE NO. 099-3035**

F.A.U. R.T.E. 1644	SECTION 01-00181-00-PP	COUNTY WILL	TOTAL SHEETS 328	SHEET NO. 181
CONTRACT NO. 63647			ILLINOIS FED. AID PROJECT	