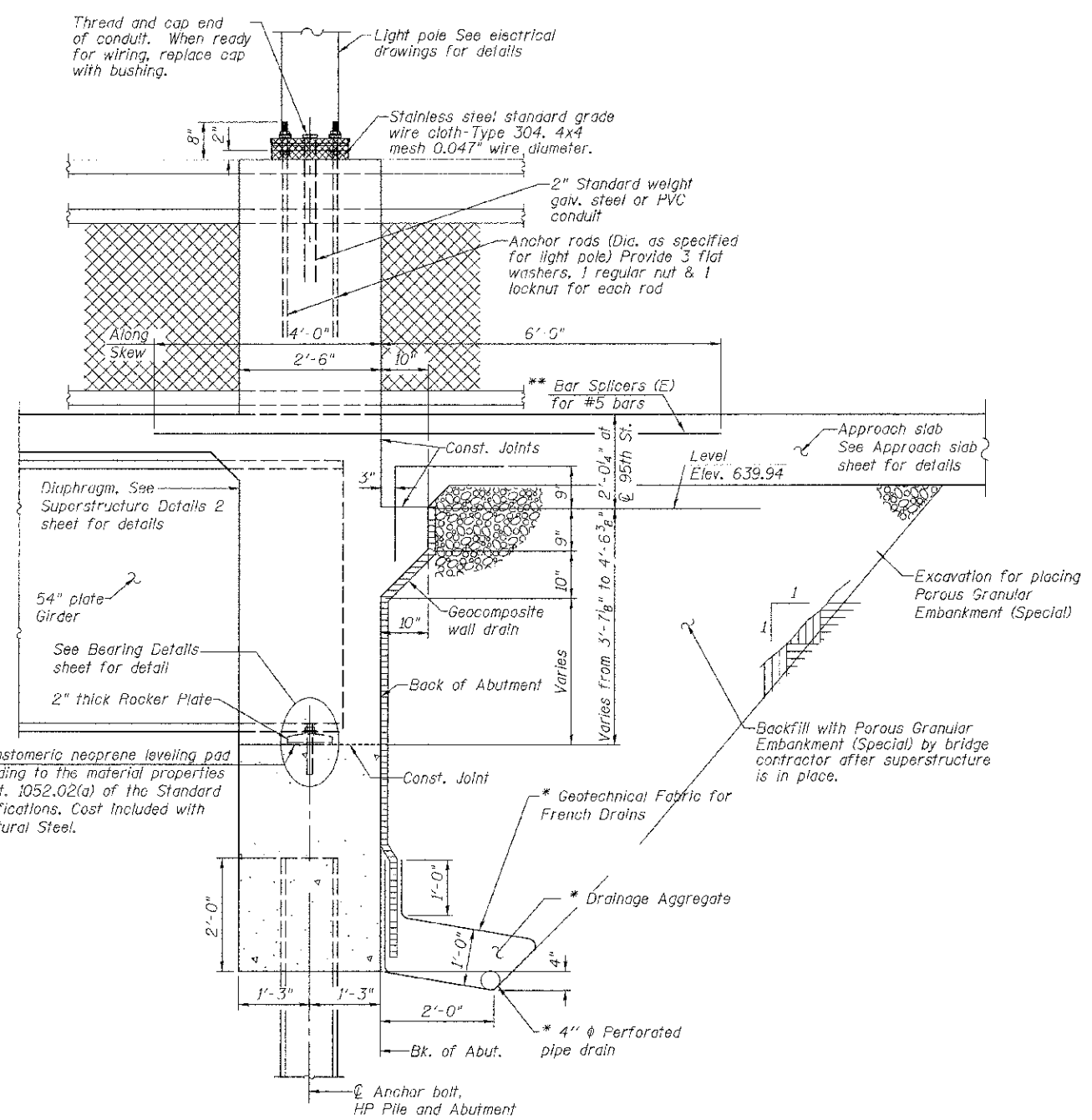


FILE NAME: g:\w\edoh_25567381_06\h\drawings\contract\01\11\Structure\West Abutment Detail.dgn

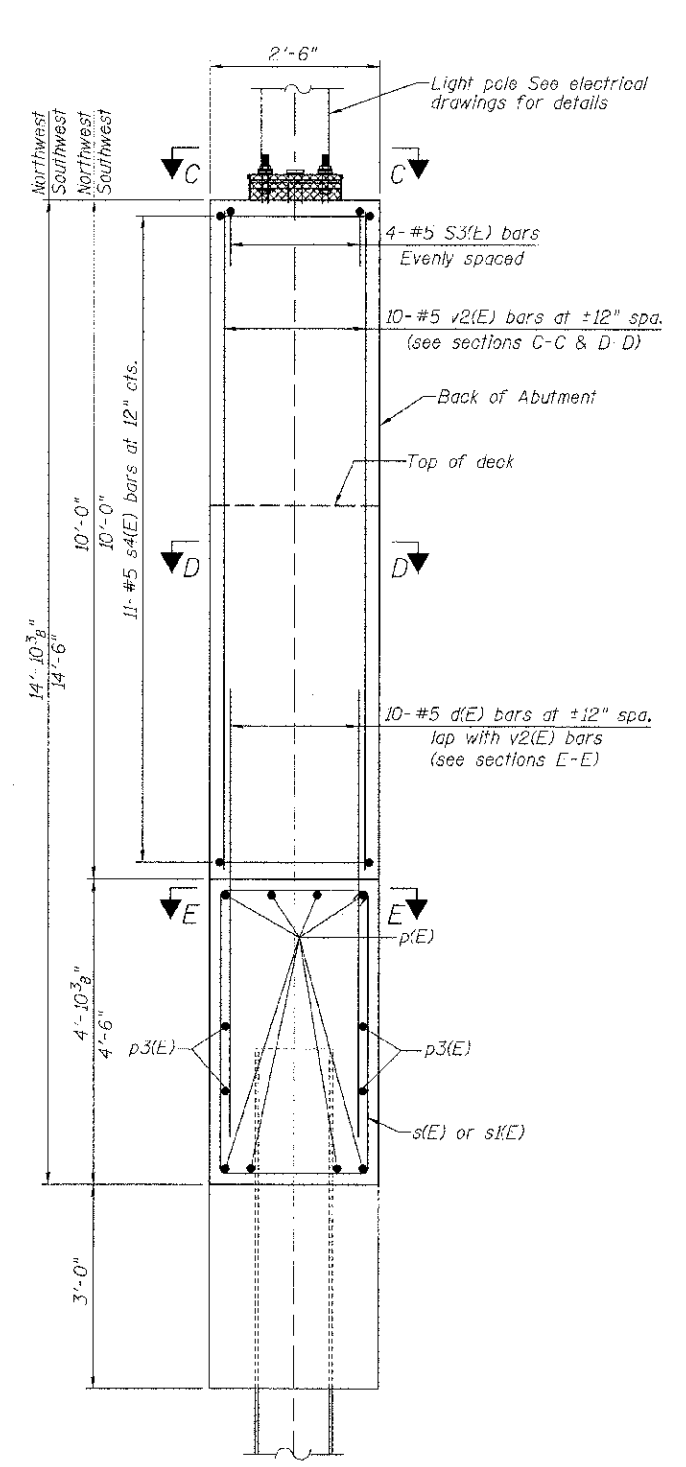


SECTION THRU ABUTMENT
(showing drainage details) (Horiz. dim. @ Rt. L's)

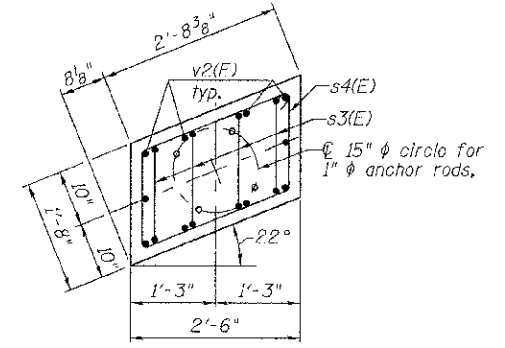
* Included in the cost of "Pipe Underdrains for Structures 4".
** See Bar splicers sheet for details

Note:
All drainage system components shall extend to 2'-0" from the end of each wingwall except an outlet pipe shall extend until intersecting with the side slopes. The pipes shall drain into concrete headwalls. (See Article 601.05 of the Standard Specifications and Highway Standard 601101).

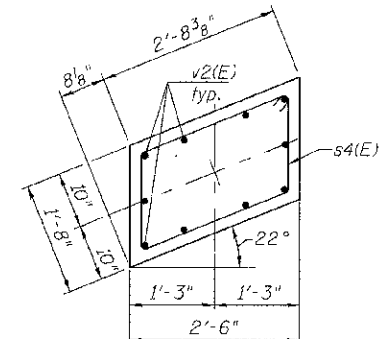
See East Abutment Detail sheet for Anchor Rod Details



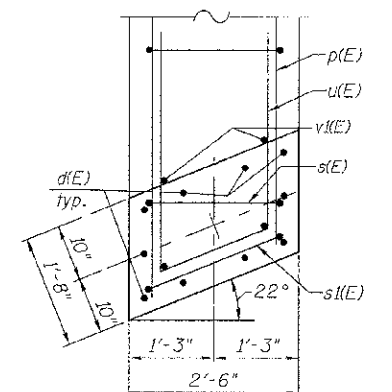
SECTION B-B
(North end shown, South end similar)



SECTION C-C



SECTION D-D



SECTION E-E



100 S. WACKER DR.
SUITE 500
CHICAGO, IL 60606
TEL (312) 939-1000
FAX (312) 939-4998

USER NAME = STB	DESIGNED - STB	REVISIONS -
PLLOT SCALE = 1/4" = 1' / 11"	CHECKED - NPP	REVISIONS -
PLLOT DATE = 12/18/2012	DRAWN - SOI	REVISIONS -
	CHECKED - NPP	REVISIONS -

STATE OF ILLINOIS
DEPARTMENT OF TRANSPORTATION

WEST ABUTMENT DETAILS
STRUCTURE NO. 099-3035
SHEET NO. 26 OF 38 SHEETS

F.A.J. NO. 1644	SECTION 01-00181-00-PP	COUNTY WILL	TOTAL SHEETS 328	SHEET NO. 184
			CONTRACT NO. 63647	
ILLINOIS FED. AID PROJECT				