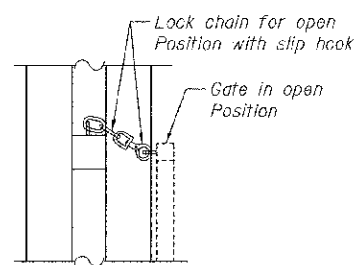
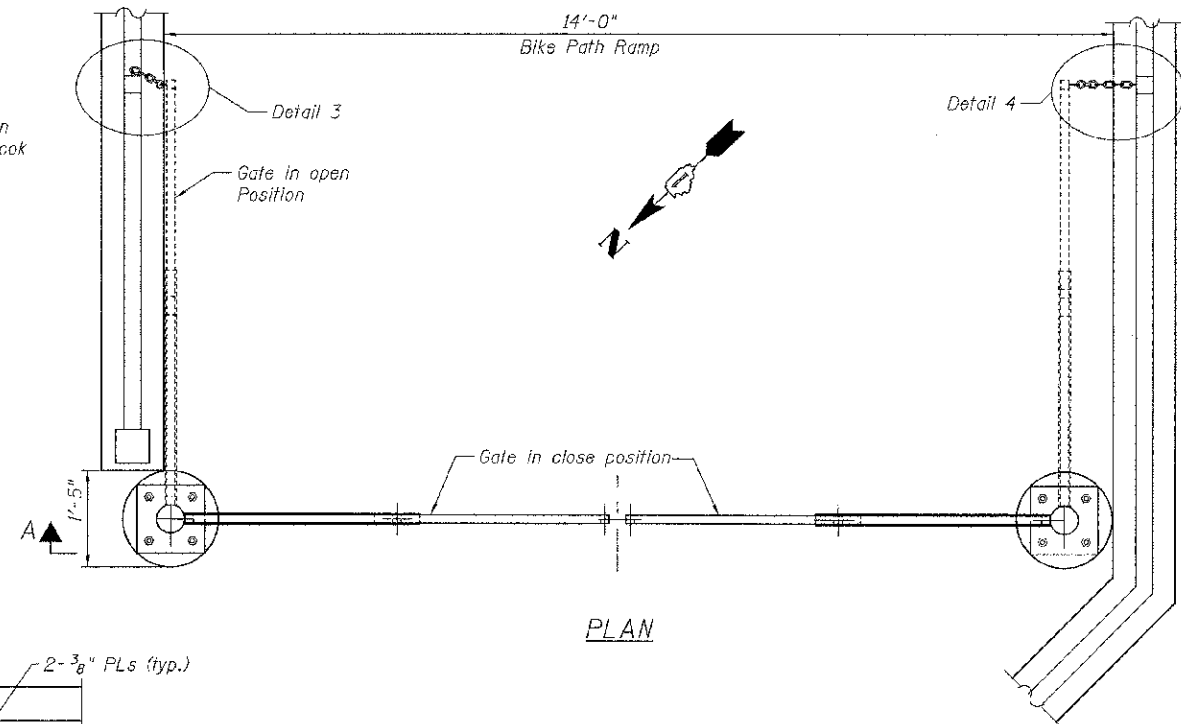


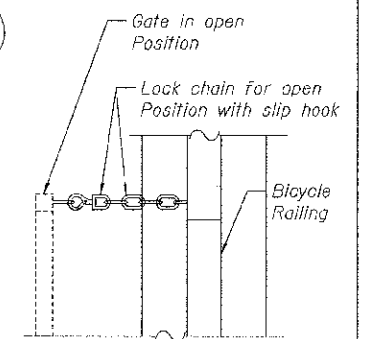
SECTION C-C



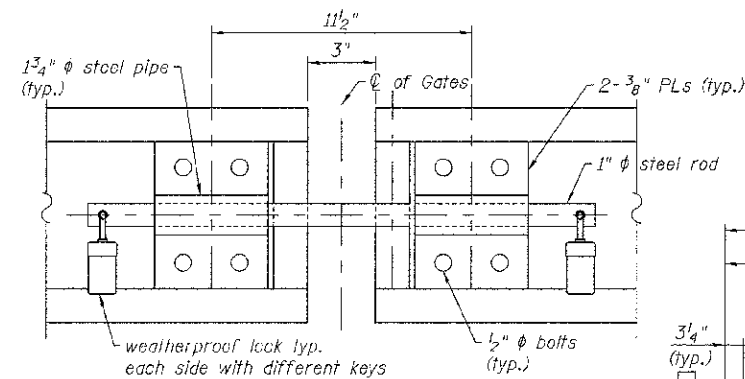
DETAIL 3



PLAN

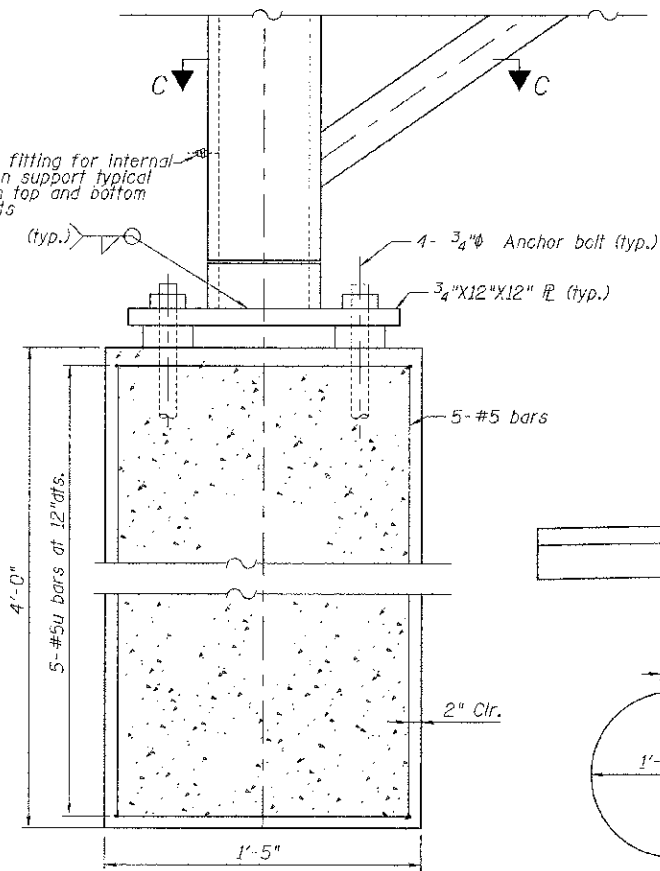


DETAIL 4

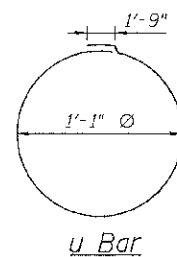


DETAIL 2 - LOCK DEVICE

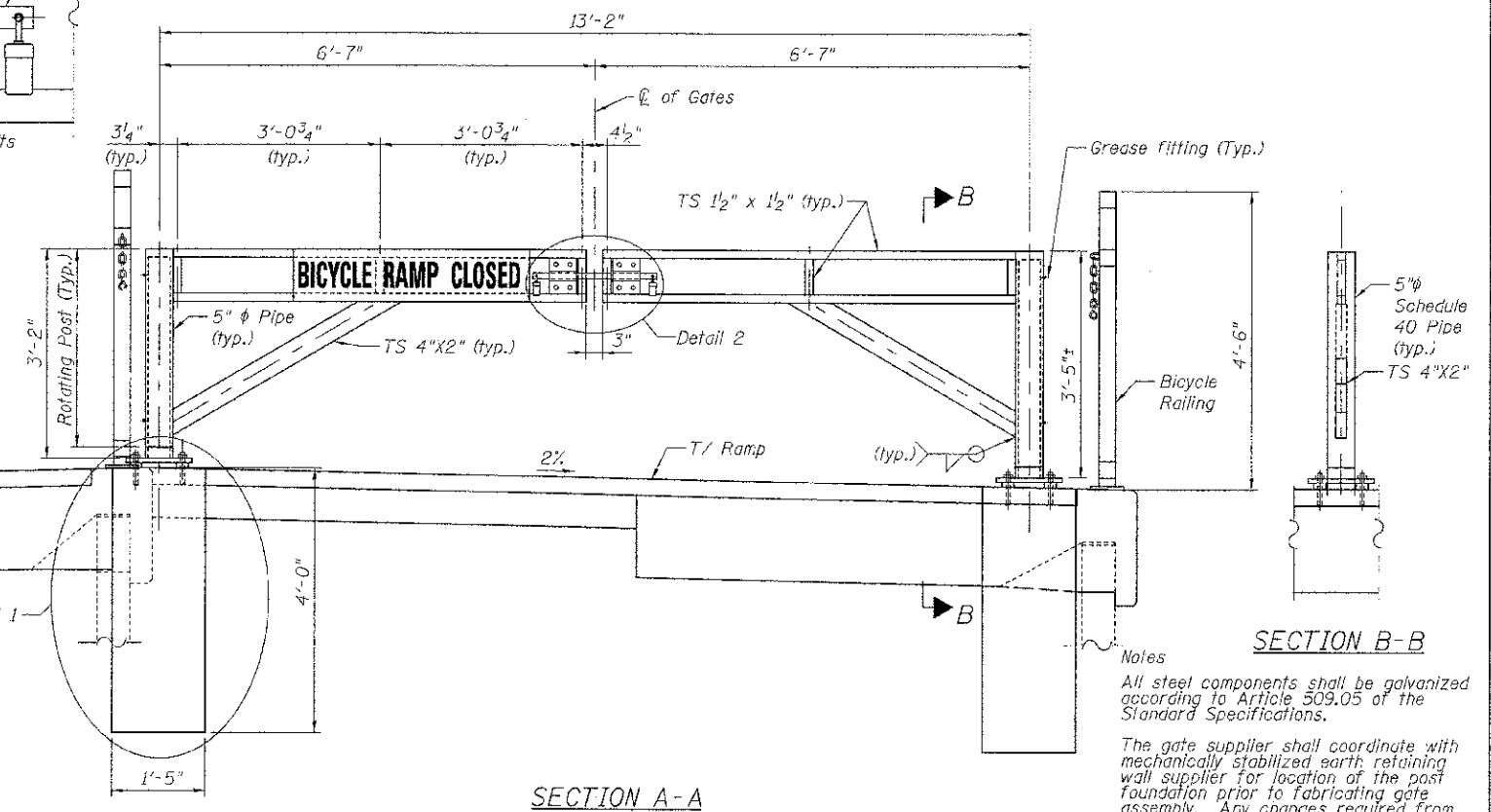
Grease fitting for internal trunnion support typical at both top and bottom of posts



DETAIL 1



U Bar



SECTION A-A

SECTION B-B

Notes
All steel components shall be galvanized according to Article 509.05 of the Standard Specifications.

The gate supplier shall coordinate with mechanically stabilized earth retaining wall supplier for location of the post foundation prior to fabricating gate assembly. Any changes required from the details shown shall be made without additional cost.

Provide internal trunnion supports at top and bottom of both rotating posts.

The cost of reinforced concrete foundation for the post is included with Gate, Special.

FILE NAME = c:\pvedsh\2131671R1\953\h\m\p\contract\structure\bridge\bridge\Retaining Wall\5-5 Retaining Wall Details-2.dgn



100 S. WACKER DR.
SUITE 500
CHICAGO, IL 60606
TEL (312) 339-1000
FAX (312) 339-4198

USER NAME = STB	DESIGNED - STB	REVISED -
PLOT SCALE = 1/4" = 1' / IN.	CHECKED - NPP	REVISED -
PLOT DATE = 10/16/2012	DRAWN - SOI	REVISED -
	CHECKED - NPP	REVISED -

STATE OF ILLINOIS
DEPARTMENT OF TRANSPORTATION

RETAINING WALL DETAILS - 2
STRUCTURE NOS. 099-W001 & W002

SHEET NO. 5 OF 5 SHEETS

F.A.I.L. RTE. 1644	SECTION 01-03181-00-FP	COUNTY W.L.L.	TOTAL SHEETS 328	SHEET NO. 201
			CONTRACT NO. 63647	
ILLINOIS FED. AID PROJECT				