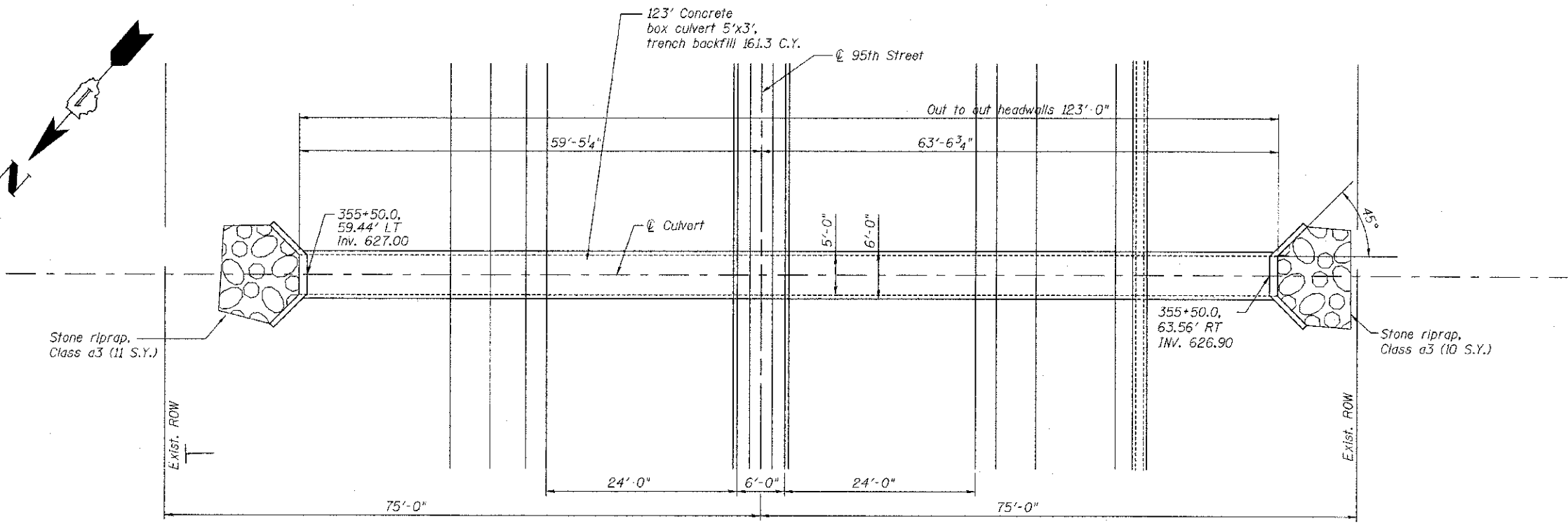
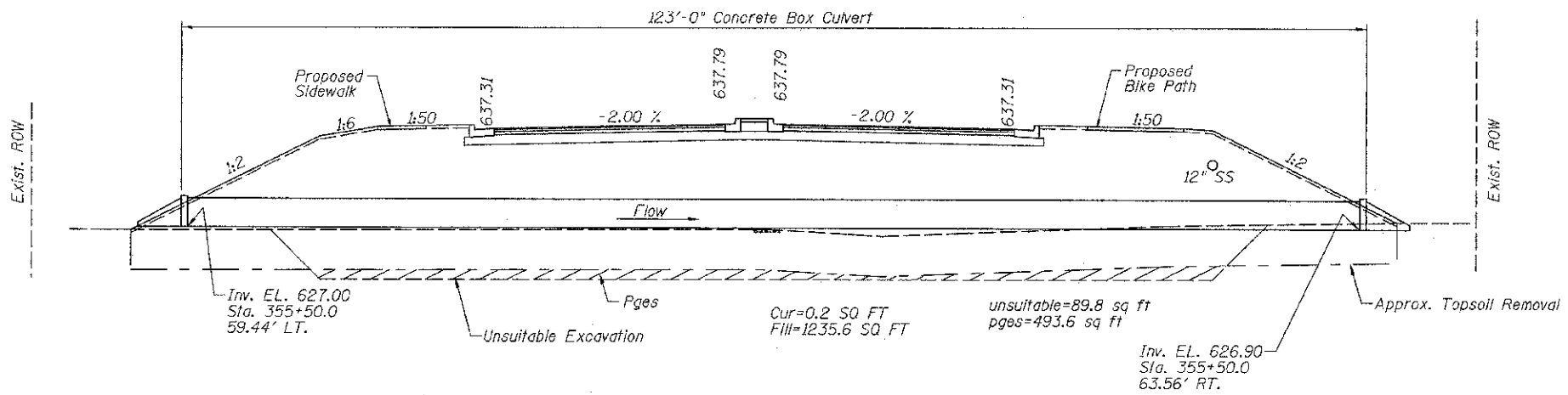


INDEX OF DRAWINGS	
SHEET	DESCRIPTION
1	5'x3' Culvert Plan and Elevation at Sta. 355+50
2	General Notes and Bill of Material
3	Wingwall, Headwall and toe walls Details
4	Culvert Details and Bill of Bars



CULVERT PLAN



LONGITUDINAL SECTION AT STA. 355+50
(LOOKING UPSTATION)
(DIMENSIONS MEASURED AT @ CULVERT)

DESIGN SPECIFICATIONS

AASHTO STANDARD SPECIFICATIONS FOR HIGHWAY BRIDGES 2002
IDOT CULVERT MANUAL, JUNE 2000

DESIGN LOADING

HS20 - 44

DESIGN STRESSES:

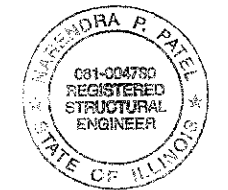
CLASS SI CONCRETE
f'c = 3,500 PSI
fy = 60,000 PSI (REINFORCEMENT)

Quantity for Stone Riprap Class A3 is included with Drainage Plans.

Quantity for Trench Backfill, Removal of Unsuitable Material and Porous Granular Embankment, Subgrade is included in Roadway Plans.

See sheet General Notes and Bill of Material for Bill of Material.

See sheet Culvert Details for reinforcement details and Bill of Bars.



Signature: Narendra P. Patel

Current Date: October 19, 2012

License Expires: November 30, 2014

I certify that to the best of my knowledge, information and belief, this culvert design is structurally adequate for the design loading shown on the plans. The design is an economical one for the style of structure and complies with the requirements of the "2002 AASHTO Standard Specifications for Highway Bridges".

5'x3' CULVERT PLAN AND ELEVATION
AT STA. 355+50 UNDER 95TH STREET
FAU RTE. 1644
SECTION: 106B-TR

FILE NAME = ep:\worksh_2012\106B-TR\Drawings\comp\stap\stap\view\stap\stap\Culvert Plan & Section.dwg



USER NAME = #STB#	DESIGNED - STB/KJZ	REVISED -
PLOT SCALE = 0.0000 ' / 1"	CHECKED - NPP	REVISED -
PLOT DATE = 10/16/2012	DRAWN - SOI	REVISED -
	CHECKED - NPP	REVISED -

STATE OF ILLINOIS
DEPARTMENT OF TRANSPORTATION

CULVERT PLAN AND SECTION AT STA. 355+50

F.A.U. RTE.	SECTION	COUNTY	TOTAL SHEETS	SHEET NO.
1644	01-00181-00-FP	WILL	328	217
			CONTRACT NO. 63647	
ILLINOIS FED. AID PROJECT				