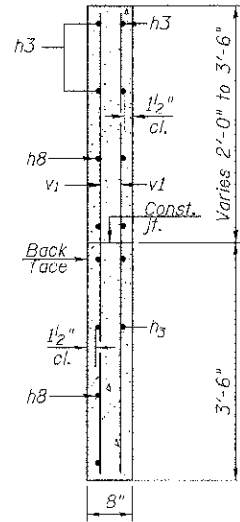
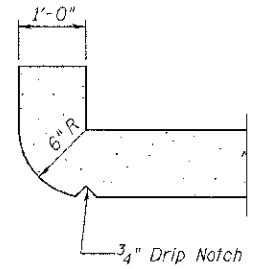


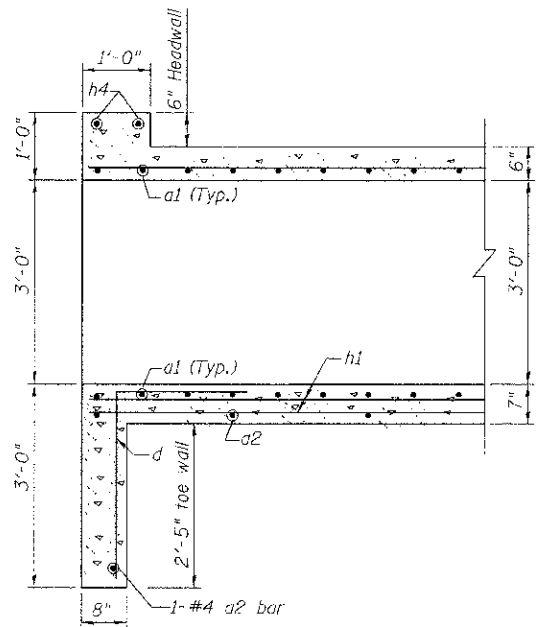
PLAN



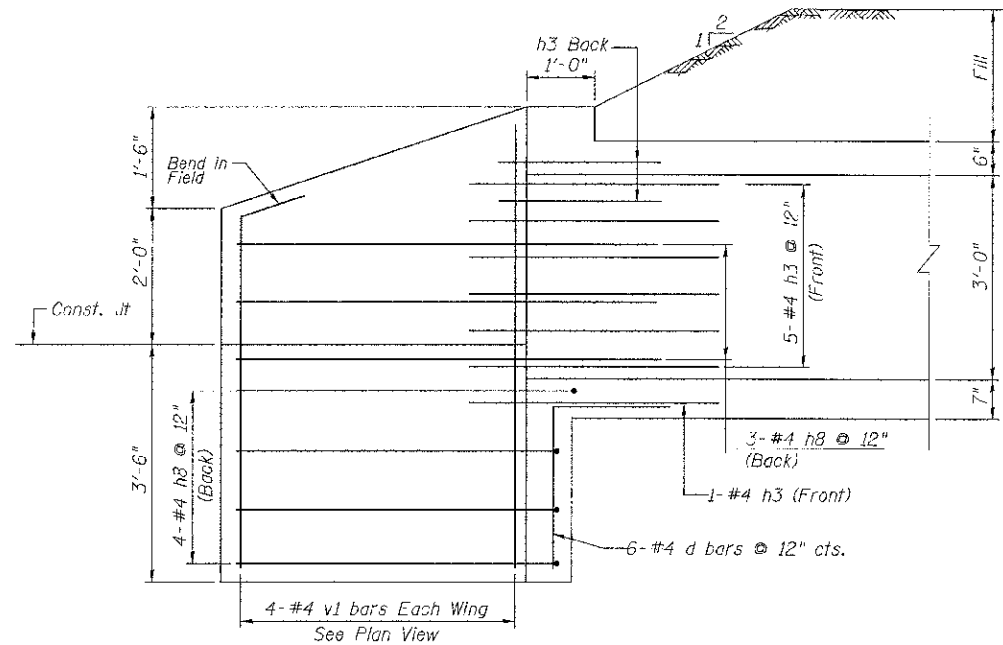
SECTION B-B



SECTION THRU HEADWALL  
(Up Stream End Only)



SECTION A-A



SECTION C-C

See sheet Culvert Sections and Bill of Bars for reinforcement and bar bent details.

FILE NAME = g:\ncad\25367301\_92d\drawings\contract\structure\cyl\wrt\3-Wingwall Details.dgn



100 S. WACKER DR.  
SUITE 500  
CHICAGO, IL 60606  
TEL (312) 939-1000  
FAX (312) 939-4198

USER NAME = #STB#	DESIGNED - STB/KJZ	REVISED -
PLCT SCALE = 1/4" = 1' / IN.	CHECKED - NPP	REVISED -
PLCT DATE = 12/16/2012	DRAWN - SGT	REVISED -
	CHECKED - NPP	REVISED -

STATE OF ILLINOIS  
DEPARTMENT OF TRANSPORTATION

WINGWALL DETAILS

SHEET NO. 3 OF 4 SHEETS

F.A.U. RTE.	SECTION	COUNTY	TOTAL SHEETS	SHEET NO.
1644	01-00181-00-FP	WILL	328	219
				CONTRACT NO. 63647
ILLINOIS FED. AID PROJECT				