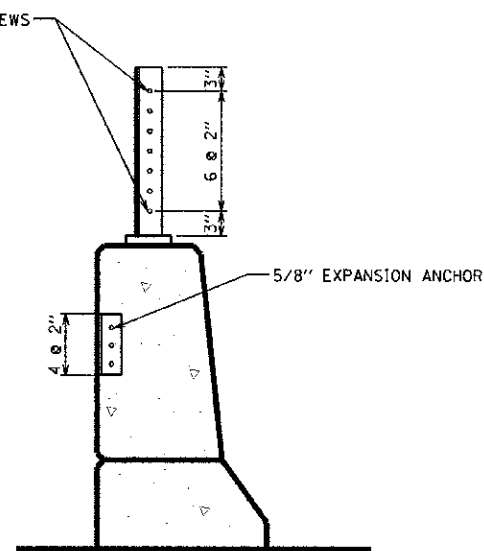
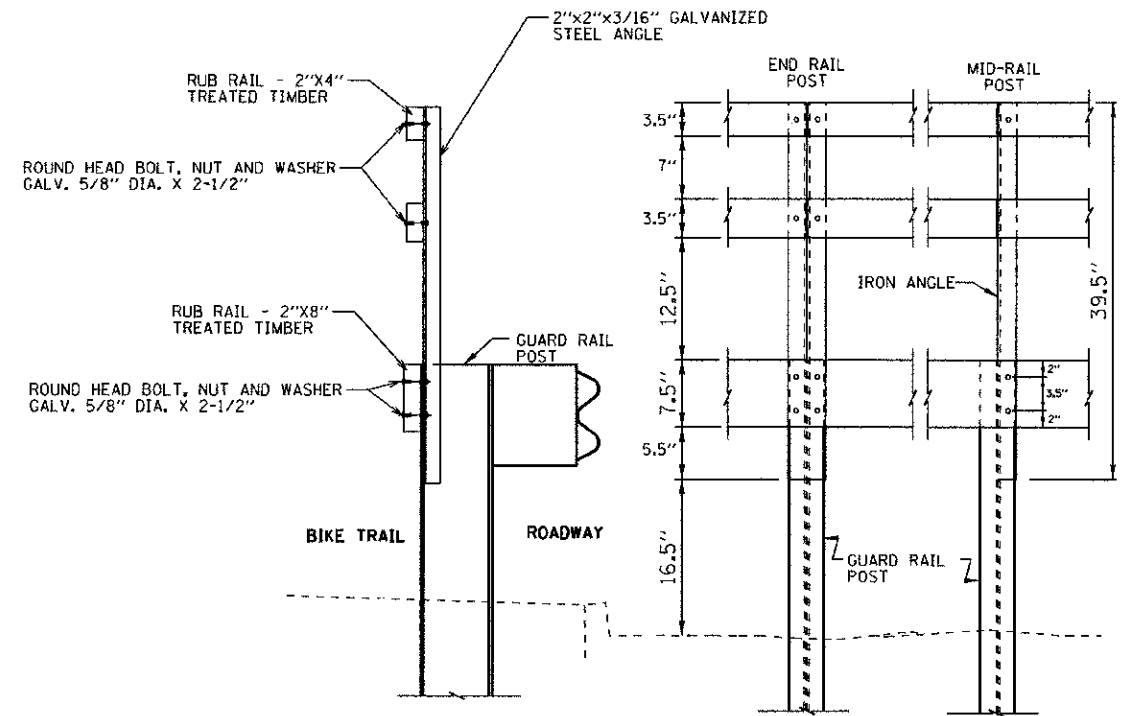


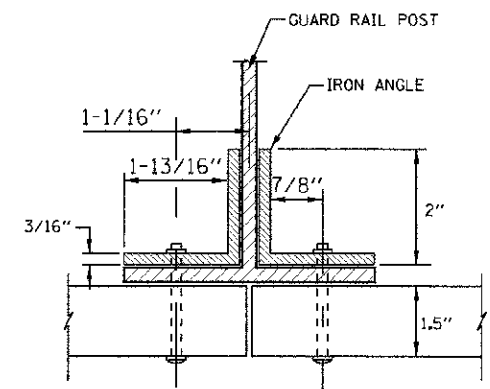
ELEVATION  
RUB RAIL TRANSITION DETAIL  
N.T.S.



SECTION A-A  
N.T.S.



RUB RAIL ASSEMBLY DETAIL  
N.T.S.



POST BOLT & NUT  
PER STD. 630001

NOTE:  
COST OF RUB RAIL TRANSITION INCLUDED  
WITH UNIT PRICE FOR RUB RAIL.



100 S. WACKER DR.  
SUITE 500  
CHICAGO, IL 60606  
TEL (312) 939-1000  
FAX (312) 939-4198

USER NAME = \_ames push  
PLOT SCALE = 22,000 1/4 IN.  
PLOT DATE = 11/18/2012

DESIGNED - JRP	REVISED -
DRAWN - MRF	REVISED -
CHECKED - JRP	REVISED -
DATE - 10/19/2012	REVISED -

STATE OF ILLINOIS  
DEPARTMENT OF TRANSPORTATION

CONSTRUCTION DETAILS

SCALE: NTS DRAWING NO. 2 OF STA. 48+87 TO STA. 152+78

F.A.J. RTE.	SECTION	COUNTY	TOTAL SHEETS	SHEET NO.
1644	01-00181-00-FP	WILL	328	221

CONTRACT NO. 63647  
ILLINOIS FED. AID PROJECT

PLT. F. NAME: F:\working\20120728\66th\Drawings\Nontrav\east road\roadway\General\Construction\Bx.de.lvs.gn