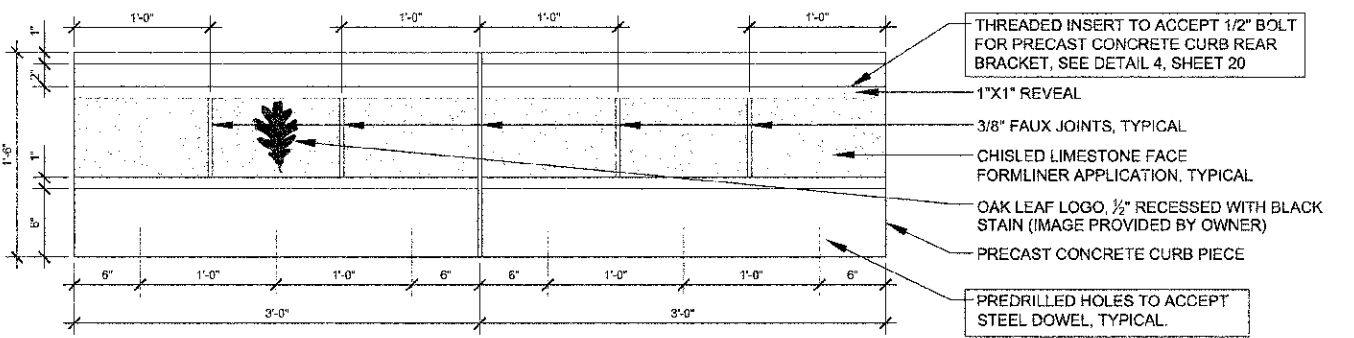
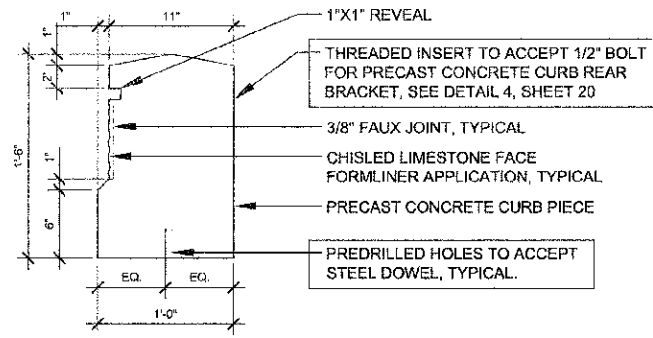


PLAN

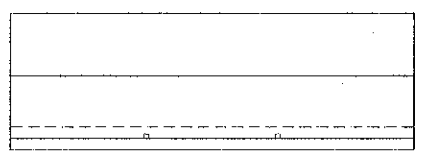


ELEVATION

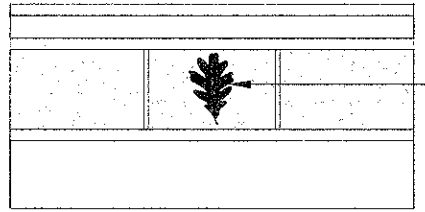


SECTION

1 PRECAST CONCRETE CURB - PIECE 1
SCALE: 1 1/2" = 1'-0" D-PRECAST-MEDIAN-A

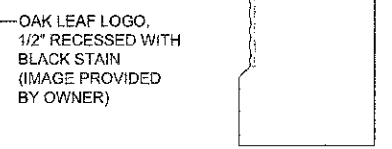


PLAN



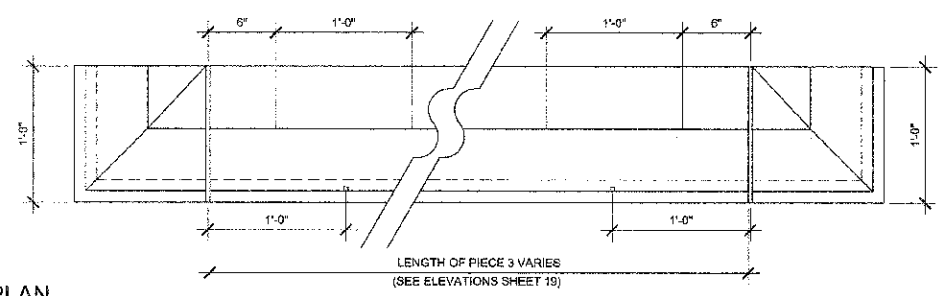
ELEVATION

NOTE: ALL NOTES AND DIMENSIONS THE SAME AS PRECAST CONCRETE CURB PIECE 1 UNLESS NOTED OTHERWISE

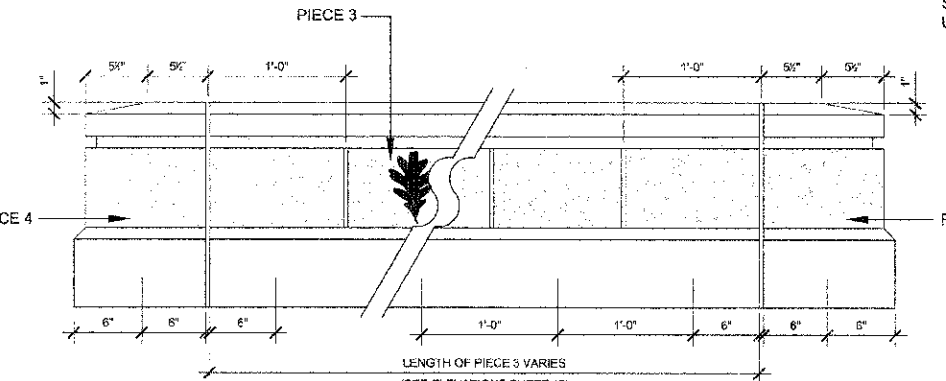


SECTION

2 PRECAST CONCRETE CURB - PIECE 2
SCALE: 1 1/2" = 1'-0" D-PRECAST-MEDIAN-B

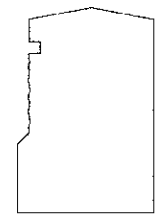


PLAN



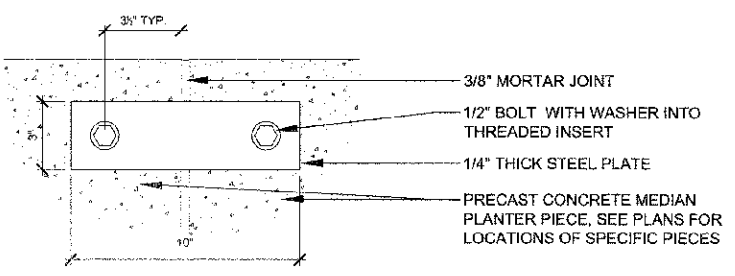
ELEVATION

NOTE: ALL NOTES AND DIMENSIONS THE SAME AS PRECAST CONCRETE CURB PIECE 1 UNLESS NOTED OTHERWISE

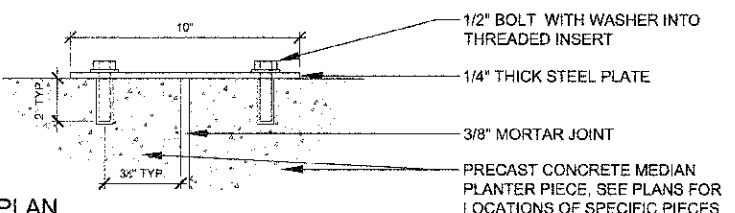


SECTION

3 PRECAST CONCRETE CURB - PIECES 3 AND 4
SCALE: 1 1/2" = 1'-0" D-PRECAST-MEDIAN-NOSE-END

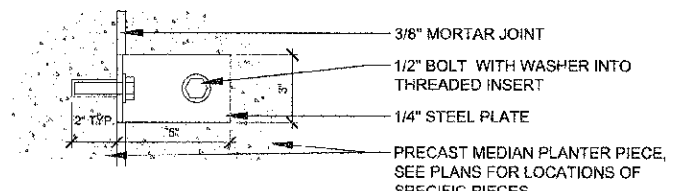


ELEVATION

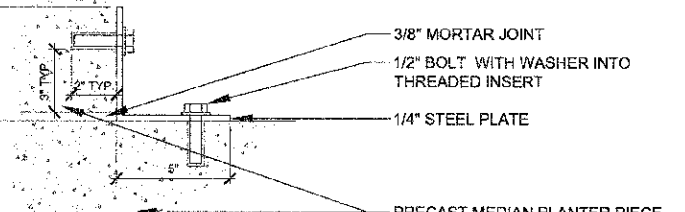


PLAN

STRAIGHT



ELEVATION



PLAN

CORNER

4 PRECAST CONCRETE CURB - CONNECTION BRACKETS
SCALE: 3" = 1'-0" D-PRECAST-BRACKET-S

J:\PROJECTS\7005\0746-WILDADE OF OAK BRIDGE\008-22ND STREET TIEP ENHANCEMENTS\GRAPHICS\05-20-CD\17_20-CONSTRUCTION_02\WLS.DWG 20
 Plotfile: 12/16/2011 12:43 PM by: TKANG
 Copyright © 2011, B. Hitchcock Design Group



| | |
|-----------------|-----------|
| DESIGNED - MEU | REVISED - |
| DRAWN - BLG | REVISED - |
| CHECKED - TCK | REVISED - |
| DATE - 12-19-11 | REVISED - |

STATE OF ILLINOIS
DEPARTMENT OF TRANSPORTATION

CONSTRUCTION DETAILS

SCALE: AS SHOWN PROJECT: 03-0745-008

| | | | | |
|----------------|----------------|--|--------------|-----|
| F.A.U. RTE | SECTION | COUNTY | TOTAL SHEETS | NO. |
| 1453 | 11-00043-00-LS | DUPAGE | 20 | 20 |
| CONTRACT 63663 | | FED. ROAD DIST. NO. 1 ILLINOIS FED. AID PROJECT TE-001 (872) | | |