

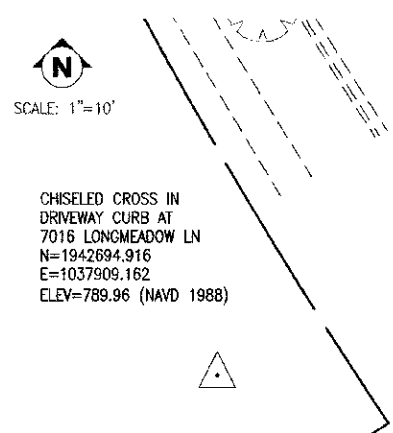
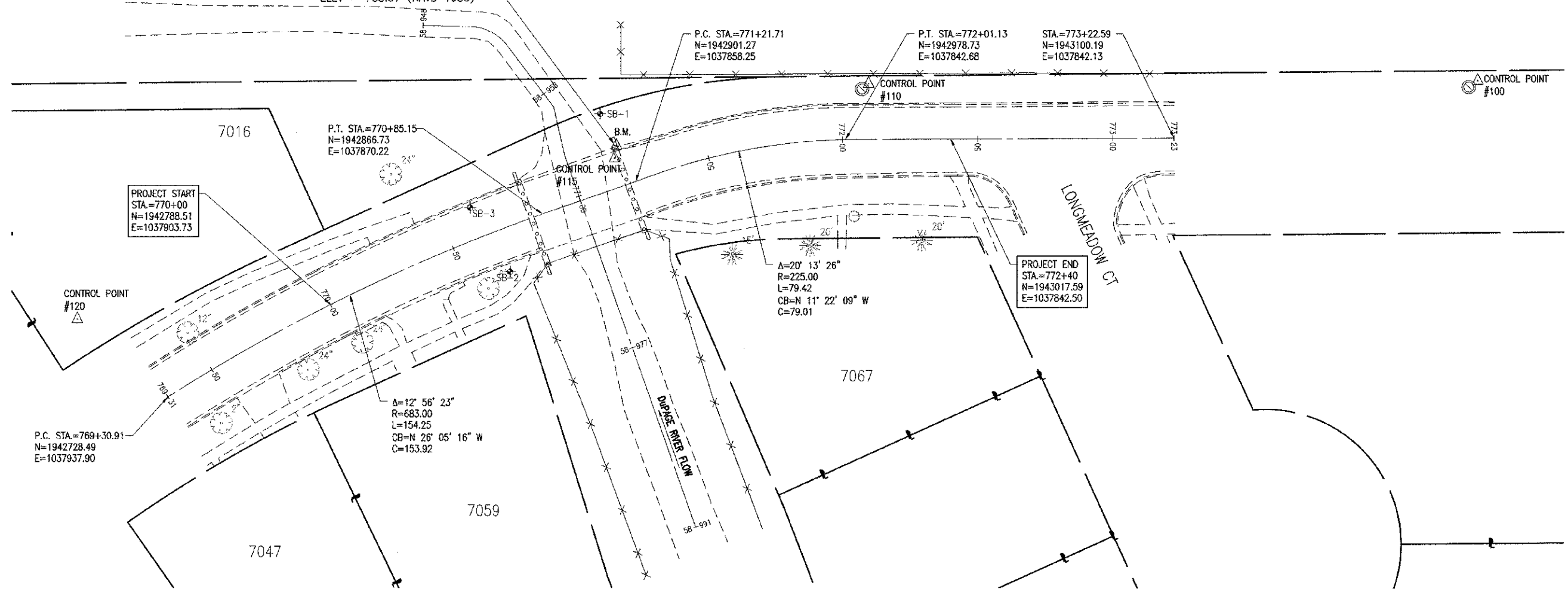
F.A. RITE	SECTION	COUNTY	TOTAL SHEETS	SHEET NO.
MWD 1770	10-00059-00-ER	COOK	20	5
HANOVER PARK		BLINDS	CONTRACT NO. 63754	



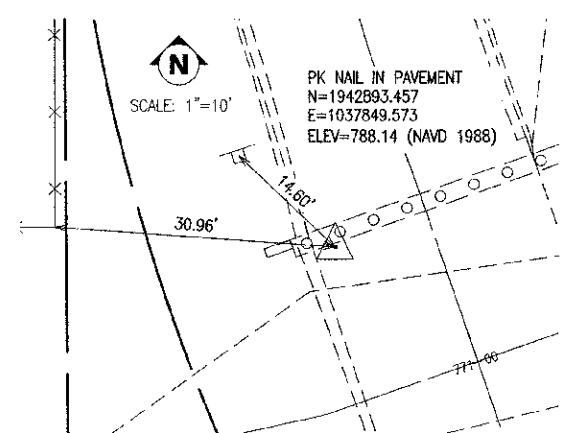
SCALE: 1"=20'

PROJECT DATUMS:
 HORIZONTAL DATUM - NAD 83
 VERTICAL DATUM - NAVD 88

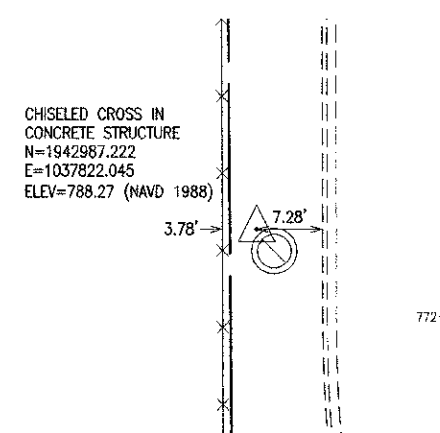
BENCHMARK:
 BM-12
 CHISELED SQUARE ON
 NORTHWEST WINGWALL
 OF CONCRETE BRIDGE
 ELEV = 788.84 (NGVD 1929)
 ELEV = 788.57 (NAVD 1988)



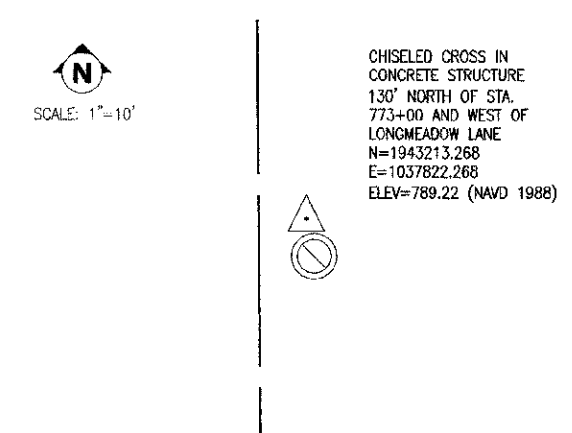
CONTROL POINT #120



CONTROL POINT #115



CONTROL POINT #110



CONTROL POINT #100

Nov 05, 2012 4:18pm \\systems\jod\02841.DS\02841.DS-05 - Alignment_Ties & Benchmarks.dwg

REVISIONS: <table border="1"> <thead> <tr> <th>DATE</th> <th>BY</th> <th>DESCRIPTION</th> <th>DATE</th> <th>BY</th> <th>DESCRIPTION</th> </tr> </thead> <tbody> <tr> <td>10-22-12</td> <td>JR</td> <td>REVISED PLANS PER COMMENTS FROM IDOT, HANOVER PARK, & NORTH COOK SWCD.</td> <td></td> <td></td> <td></td> </tr> <tr> <td>11-08-12</td> <td>JR</td> <td>REVISED PLANS PER COMMENTS FROM IDOT DATED 11-02-12.</td> <td></td> <td></td> <td></td> </tr> </tbody> </table>				DATE	BY	DESCRIPTION	DATE	BY	DESCRIPTION	10-22-12	JR	REVISED PLANS PER COMMENTS FROM IDOT, HANOVER PARK, & NORTH COOK SWCD.				11-08-12	JR	REVISED PLANS PER COMMENTS FROM IDOT DATED 11-02-12.				PLOTTED BY: AMR CHECKED BY: JR DRAWN BY: AMR CHECKED BY: JR APPROVED BY: DNM		Pavia-Marting & Co. 910 W. Lake St. Roselle, IL 60172 630-529-8000 fax: 630-894-4910 Design Firm Professional Registration #18402276		TITLE: LONGMEADOW LANE BOX CULVERT REPLACEMENT HANOVER PARK, IL ALIGNMENT, TIES, & BENCHMARKS		SCALE: AS NOTED DATE: 8/6/2012 JOB NO: 02841.DS SHEET 5 OF 20	
DATE	BY	DESCRIPTION	DATE	BY	DESCRIPTION																								
10-22-12	JR	REVISED PLANS PER COMMENTS FROM IDOT, HANOVER PARK, & NORTH COOK SWCD.																											
11-08-12	JR	REVISED PLANS PER COMMENTS FROM IDOT DATED 11-02-12.																											