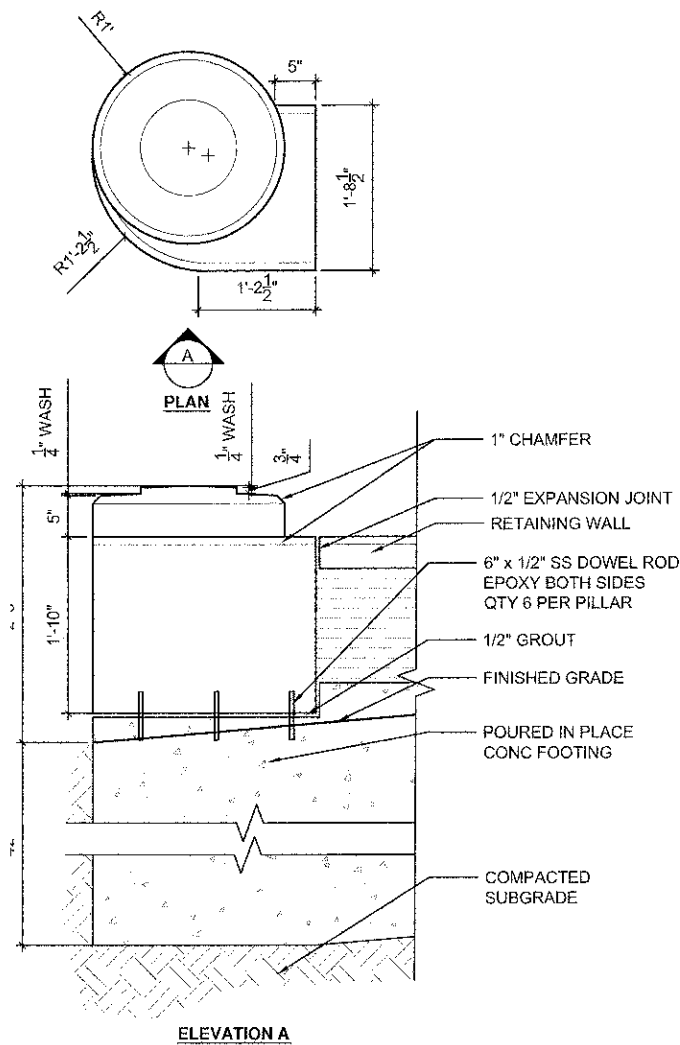
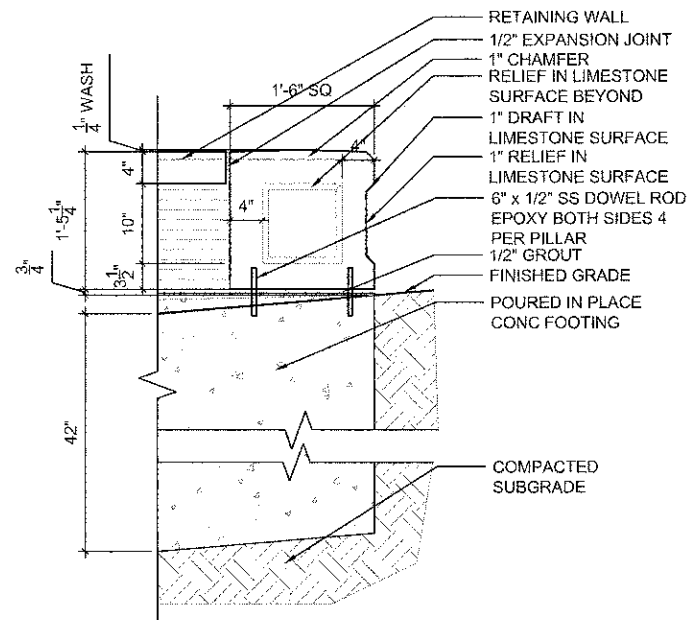


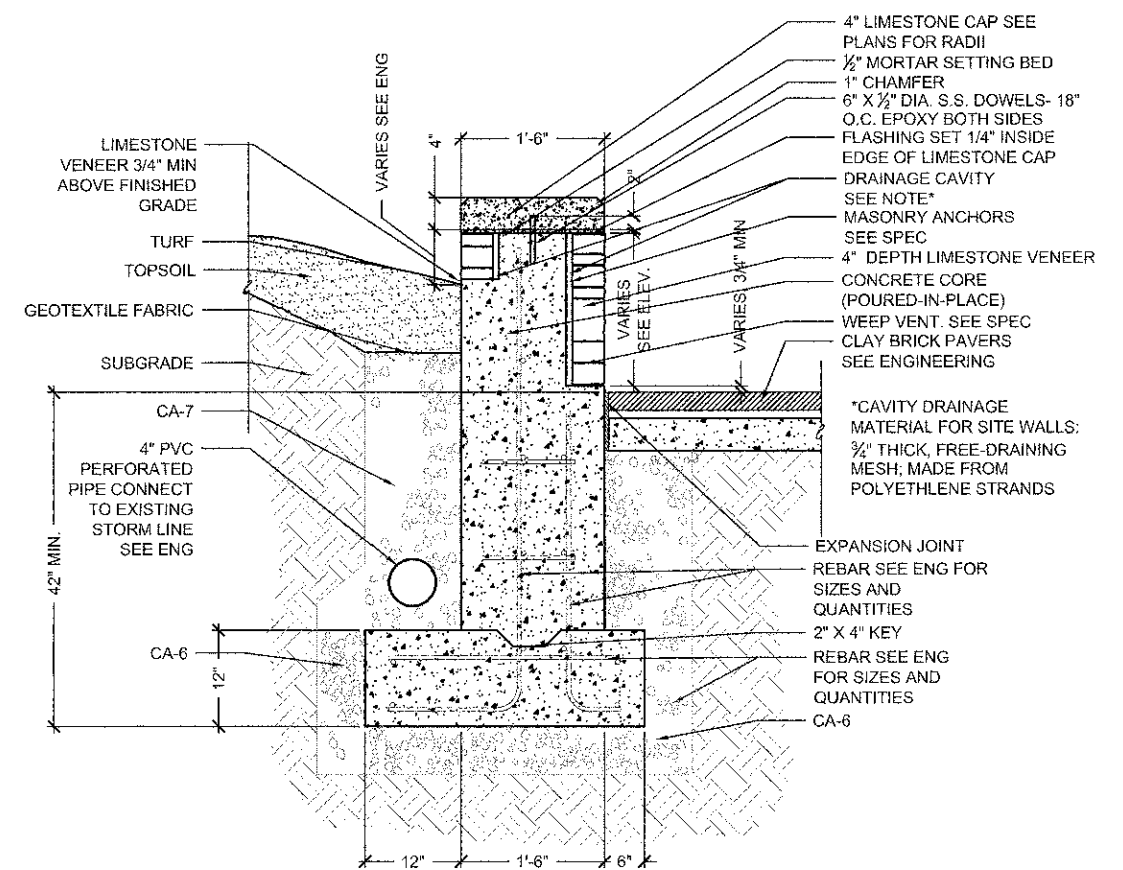
① LIMESTONE VENEER SEAT WALL ELEVATION  
SCALE= 1/4"=1'-0"



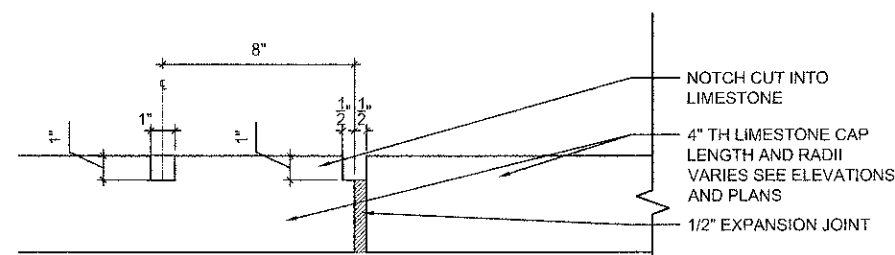
② LIMESTONE PILLAR B SECTION  
SCALE= 1"=1'-0"



③ LIMESTONE PILLAR A SECTION  
SCALE= 1"=1'-0"



④ STONE RETAINING WALL SECTION  
SCALE= 1"=1'-0"



⑤ LIMESTONE CAP REVEAL AND JOINT TYP  
SCALE= 1"=1'-0"

FILE NAME =	USER NAME	DESIGNED -- JB & JM	REVISED --	<b>STATE OF ILLINOIS DEPARTMENT OF TRANSPORTATION</b>	<b>SITE DETAILS WILSON STREET</b>			F.A.U. RTE.	SECTION	COUNTY	TOTAL SHEETS	SHEET NO.
\$FILE#		DRAWN -- JC & SM	REVISED --					1441	12-00073-01-TL	KANE	88	31
PLOT SCALE =		CHECKED -- JB	REVISED --		SCALE: SHOWN SHEET OF SHEETS STA. TO STA.			63763 CONTRACT NO.				
PLOT DATE =		DATE -- 10.18.2012	REVISED --		ILLINOIS FED. AID PROJECT							