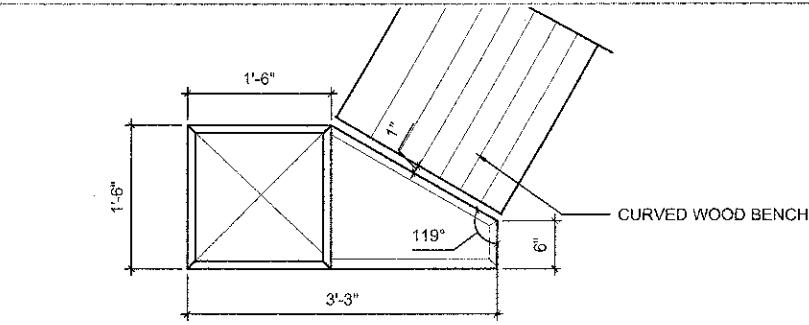
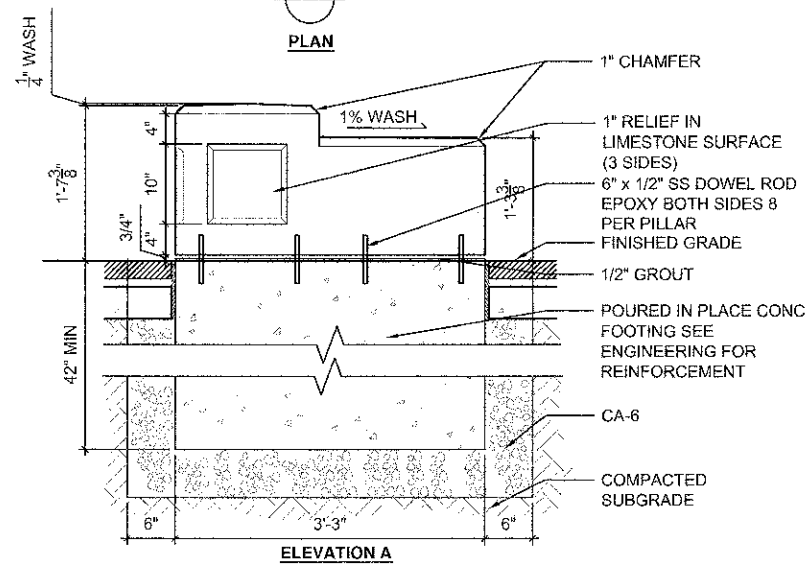


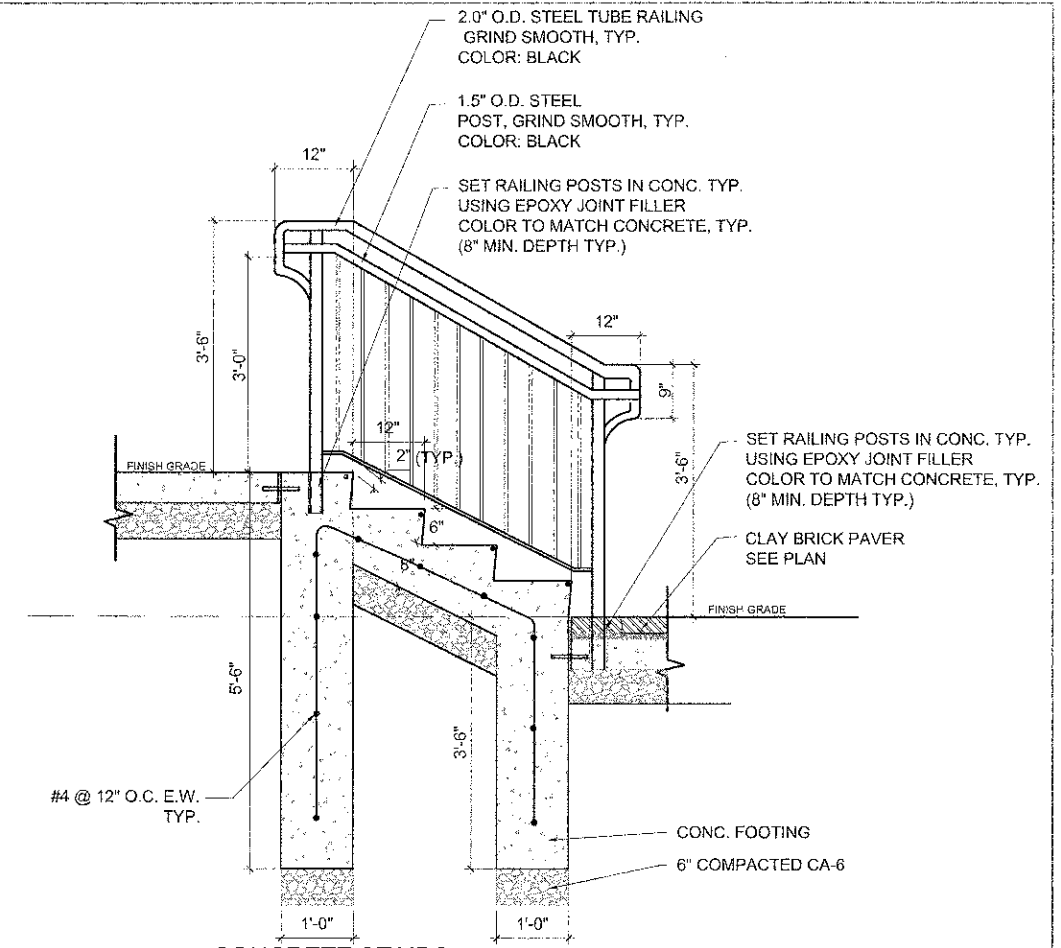
1 LIMESTONE PILLAR C SECTION
SCALE= 1"=1'-0"



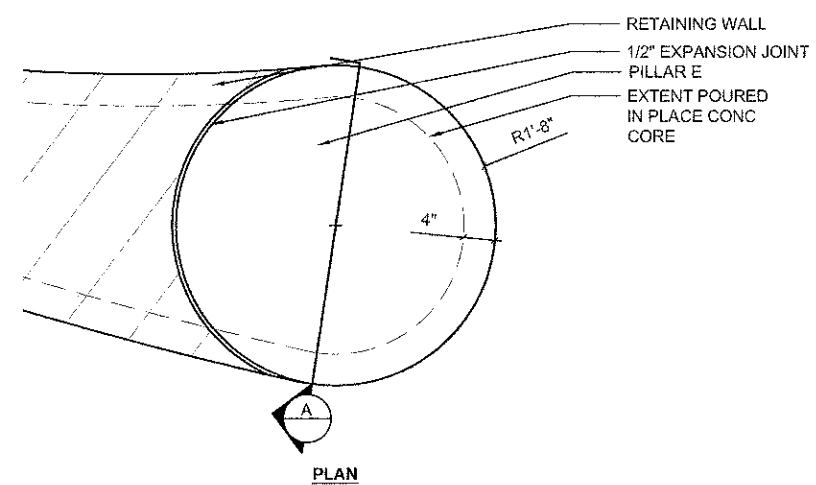
PLAN



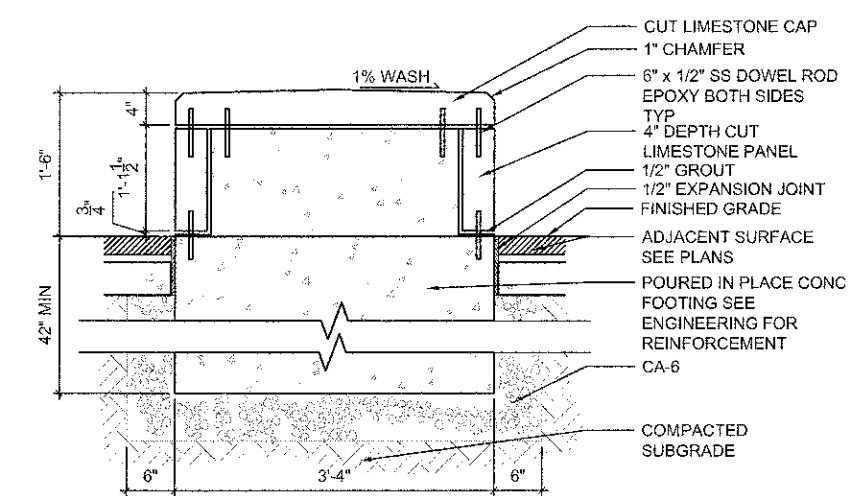
2 LIMESTONE PILLAR D
SCALE= 1"=1'-0"



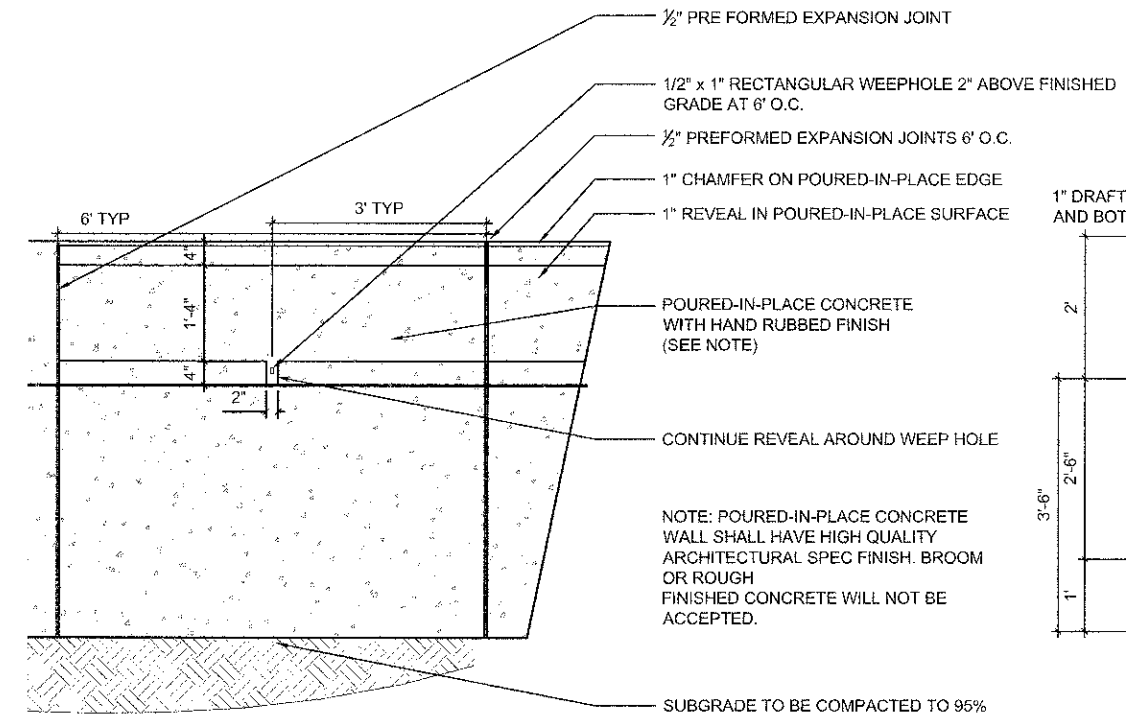
3 CONCRETE STAIRS
SCALE= 3/4"=1'-0"



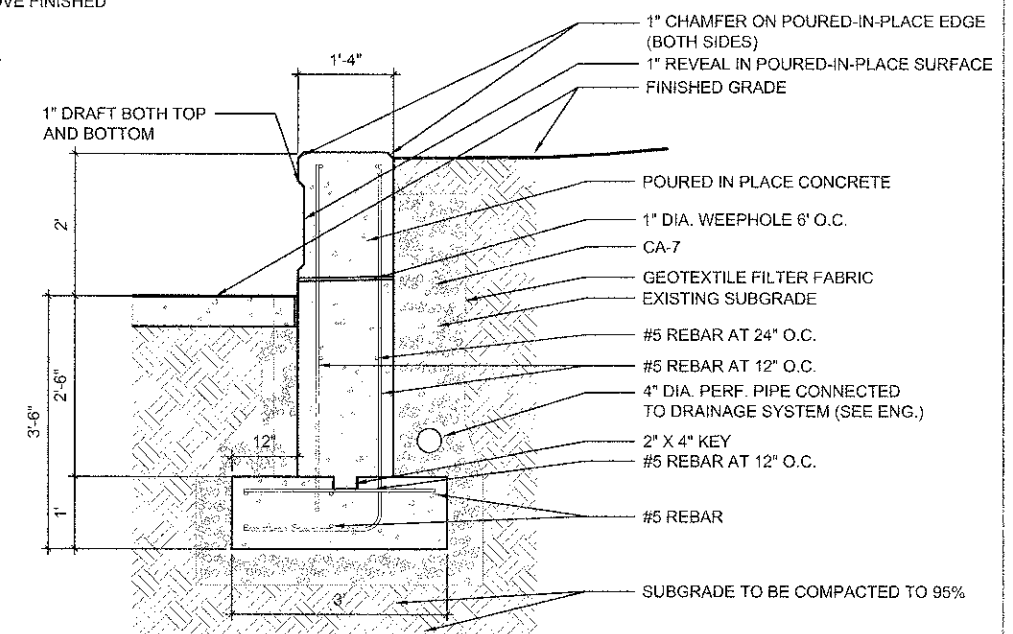
PLAN



4 LIMESTONE PILLAR E
SCALE= 1"=1'-0"



ELEVATION



SECTION

5 POURED IN PLACE CONCRETE SEAT WALL
SCALE= 3/4"=1'-0"

FILE NAME =	USER NAME	DESIGNED — JB & JM	REVISED —	STATE OF ILLINOIS DEPARTMENT OF TRANSPORTATION	SITE DETAILS WILSON STREET			F.A.U. RTE. 1441	SECTION 12-00073-01-TL	COUNTY KANE	TOTAL SHEETS 88	SHEET NO. 33
\$FILEL\$	PLDT SCALE =	DRAWN — JC & SM	REVISED —		SCALE:	SHEET	OF	SHEETS	STA.	TO STA.	ILLINOIS FED. AID PROJECT	
	PLDT DATE =	CHECKED — JB	REVISED —								63763 CONTRACT NO.	
		DATE — 10.18.2012	REVISED —									