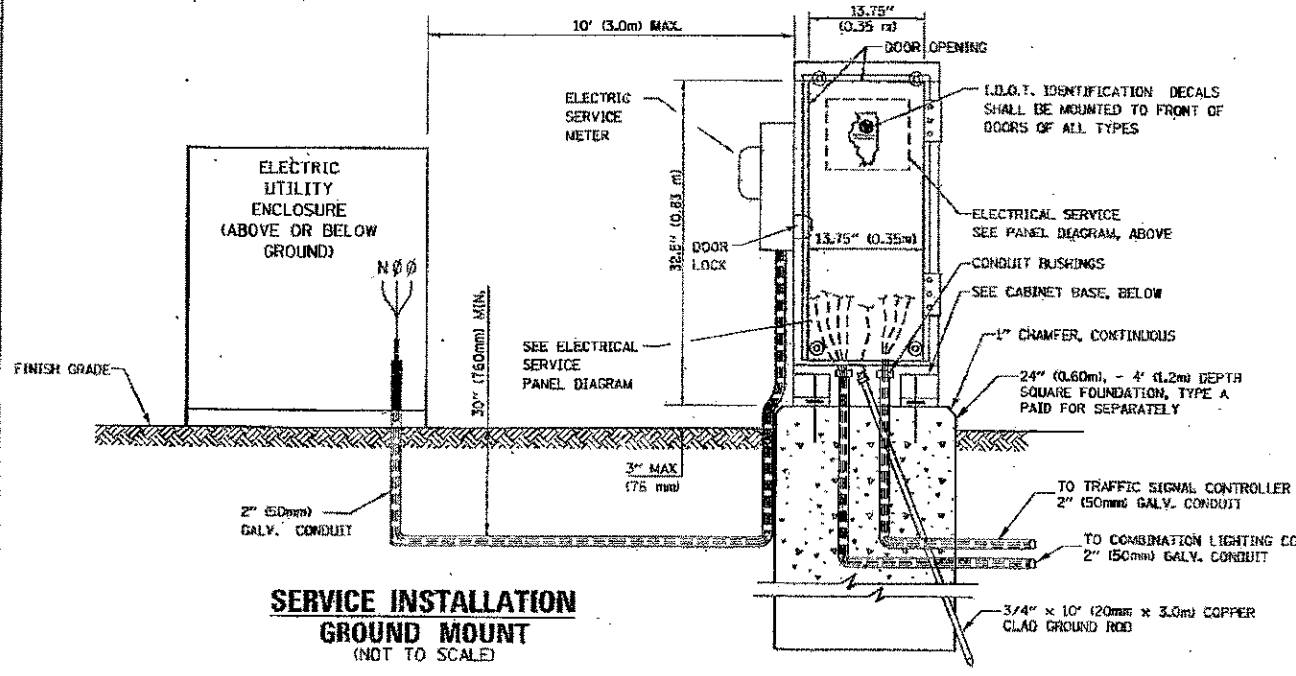


ELECTRICAL SERVICE - PANEL DIAGRAM (TYPICAL FOR POLE AND GROUND MOUNTED SERVICE)

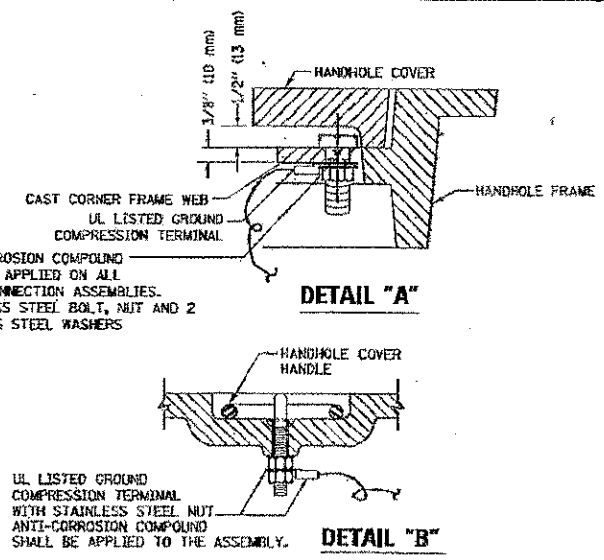
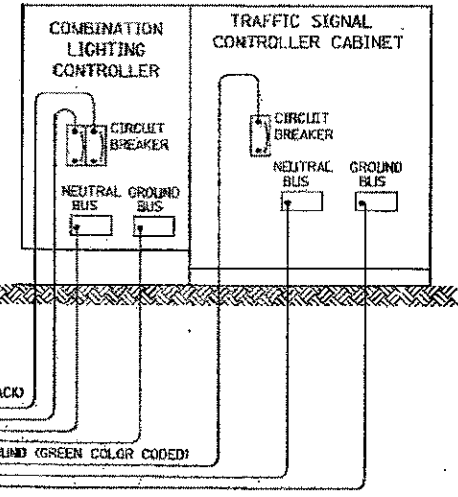
SERVICE INSTALLATION POLE MOUNT (SHOWN) (NOT TO SCALE)



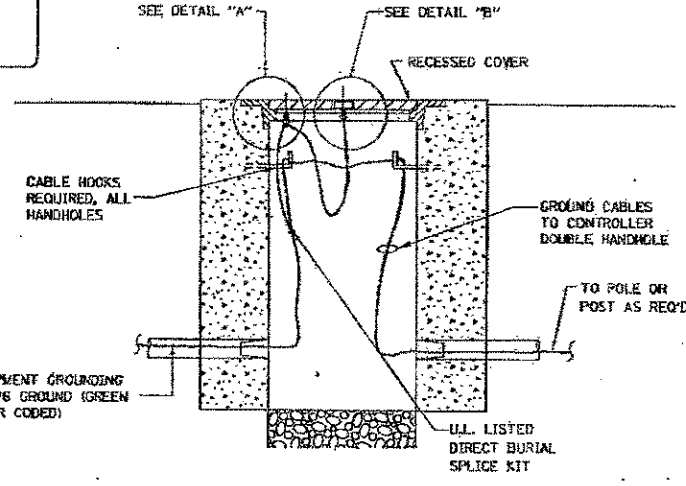
SERVICE INSTALLATION GROUND MOUNT (NOT TO SCALE)

CABINET - BASE BOLT PATTERN (NOT TO SCALE)

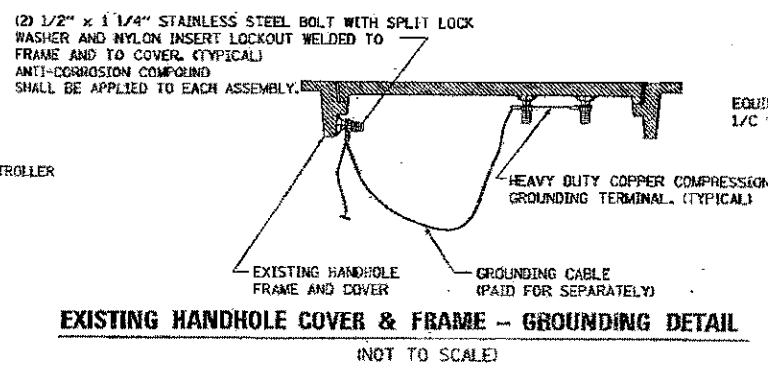
- NOTES:**
1. ELECTRIC SERVICE PANELS SHALL BE CONSTRUCTED TO U.L. STD 508, INDUSTRIAL CONTROL PANEL, AND CARRY THE U.L. LABEL.
 2. ALL WIRING SHALL BE NEATLY DRESSED AND SUPPORTED.
 3. ALL BREAKERS SHALL HAVE AN INTERRUPT RATING OF 22K RMS SYMMETRICAL AMPS.



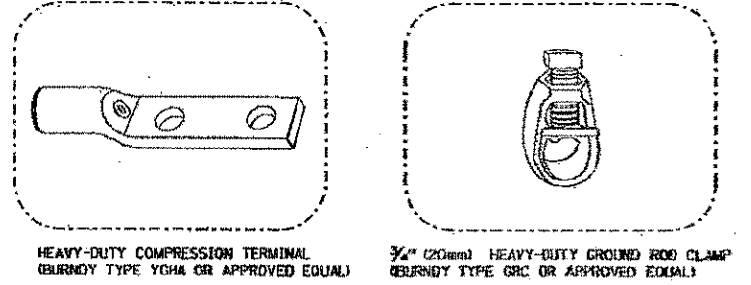
- NOTES:**
- GROUNDING SYSTEM**
1. THE GROUNDING SYSTEM SHALL CONSIST OF AN INSULATED CONDUCTOR TYPE XLP, NO. 6 A.W.G., STRANDED COPPER TO BE INSTALLED IN RACEWAYS. THE GROUNDING CABLE SHALL BE INSTALLED IN A CONTINUOUS MANNER AS SHOWN ON THE CABLE PLAN PROVIDED. ALL GROUNDING CONDUCTORS SHALL BE BONDED TO METAL ENCLOSURE HANDHOLE, POST, MAST ARM, CONTROLLER, ETC. GROUND ROD SHALL BE 3/4\"/>
 - 2. THE NEUTRAL CONDUCTOR AND THE GROUND CONDUCTOR SHALL BE CONNECTED IN THE SERVICE INSTALLATION. AT NO OTHER POINT IN THE TRAFFIC SIGNAL SYSTEM SHALL THE NEUTRAL AND GROUND CONDUCTORS BE CONNECTED.
 - 3. ALL EQUIPMENT GROUNDING CONDUCTORS SHALL TERMINATE AT THE GROUND BUS IN THE CONTROLLER CABINET.
 - 4. THE CONTRACTOR SHALL PROVIDE A GROUND CABLE WITH CONNECTORS BETWEEN THE HANDHOLE COVER AND HANDHOLE FRAME.



HANDHOLE COVER & FRAME - GROUNDING DETAIL (NOT TO SCALE)

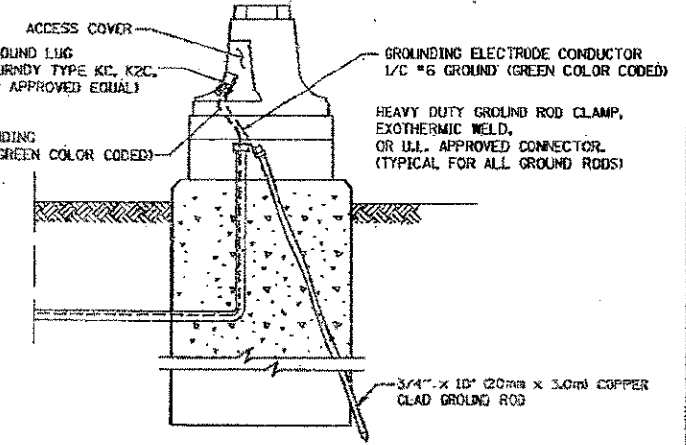


EXISTING HANDHOLE COVER & FRAME - GROUNDING DETAIL (NOT TO SCALE)



HEAVY-DUTY COMPRESSION TERMINAL (BURNEDY TYPE Y04A OR APPROVED EQUAL) and **3/4\"/>**

- NOTES:**
- ALL CLAMPS SHALL BE BRONZE OR COPPER, U.L. APPROVED.
 - GROUND CABLE SHALL BE LOOPED OVER HOOKS IN THE HANDHOLES. 6.5' (2.0m) SLACK SHALL BE PROVIDED IN SINGLE HANDHOLES. 13' (4.0m) OF SLACK SHALL BE PROVIDED IN DOUBLE HANDHOLES. 5' (1.5m) OF SLACK SHALL BE PROVIDED BETWEEN FRAME AND COVER.



MAST ARM POLE / POST-GROUNDING DETAIL (NOT TO SCALE)

FILE NAME -	USER NAME -	DESIGNED - DAD	REVISED - MAP
		DRAWN - BCK	REVISED -
		CHECKED - DAD	REVISED -
		DATE - 8/24/11	REVISED -

**STATE OF ILLINOIS
DEPARTMENT OF TRANSPORTATION**

**DISTRICT 1
STANDARD COMBINATION LIGHTING DISCONNECT**

F.A.U. RITE 2503	SECTION 12-00073-01-TL	COUNTY KANE	TOTAL SHEETS 88	SHEET NO. 56
SCALE: SHEET NO. 7 OF 7 SHEETS		STA. TO STA.	CONTRACT NO. 63763	
FED. ROAD DIST. NO. ILLINOIS FED. AID PROJECT				