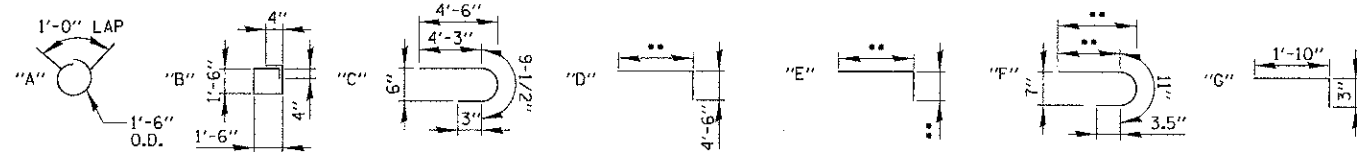
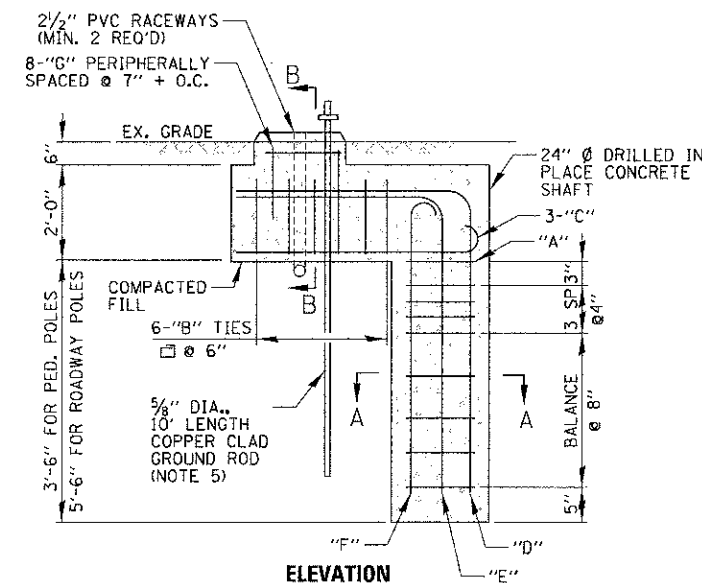
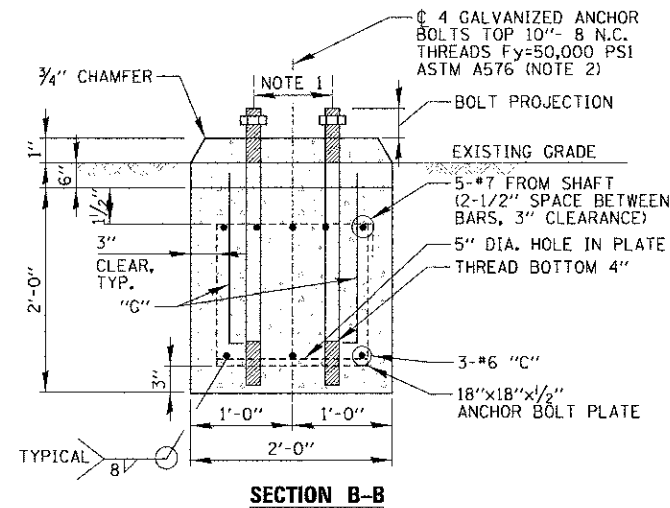
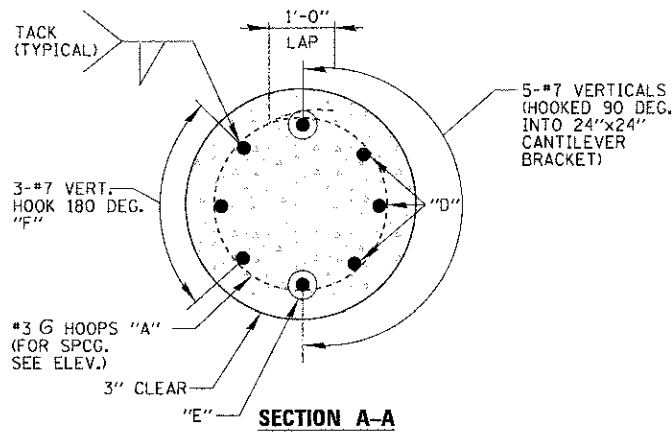


**NOTES:**

- GROUND ROD SHALL BE CAST INTO CONCRETE FOUNDATION WITH 8 FEET IN CONTACT WITH SOIL.
- FOUNDATIONS SHALL BE VIBRATED IN ACCORDANCE WITH IDOT STANDARD PRACTICES.
- FOUNDATIONS FOR PEDESTRIAN LIGHT POLES SHALL HAVE 18" Ø DRILLED SHAFT & THE TOP 12" BE 19" SQUARE. FOUNDATIONS FOR ROADWAY POLES SHALL HAVE 24" Ø DRILLED SHAFT & THE TOP 12" BE 28" SQUARE.
- ALL ABOVE ITEMS INCLUDING CONCRETE, GROUND ROD, REINFORCEMENT, RACEWAYS AND FORMWORK SHALL BE INCLUDED IN THE "LIGHT POLE FOUNDATION" PAY ITEM.
- 24" Ø FOUNDATIONS PAID FOR UNDER "LIGHT POLE FOUNDATION, SPECIAL", 18" Ø FOUNDATIONS PAID FOR UNDER "LIGHT POLE FOUNDATION, SPECIAL".

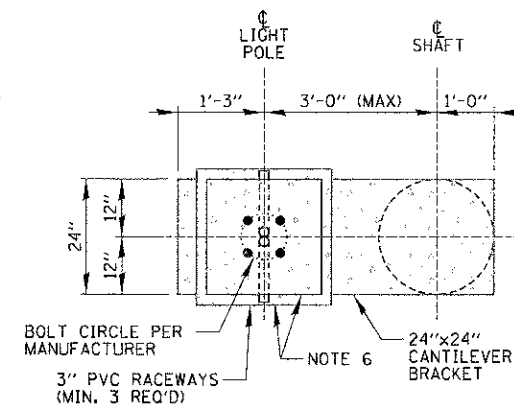
**CONCRETE FOUNDATION DETAIL**

N.T.S.



**OFFSET CONCRETE FOUNDATION DETAIL**

N.T.S.



**PLAN-CANTILEVERED BRACKET**

**NOTES:**

- BOLT SIZE & CIRCLE PER POLE MANUFACTURER.
- THE TOP OF THE ANCHOR BOLTS SHALL NOT PROJECT MORE THAN 4" ABOVE A 60" CHORD ALIGNED RADially TO THE CENTERLINE OF THE ROADWAY, AND CONNECTING ANY POINT, WITHIN THE LENGTH OF THE CHORD, ON THE GROUND SURFACE ON ONE SIDE OF THE SUPPORT TO A POINT ON THE GROUND SURFACE ON THE OTHER SIDE.
- CONCRETE SHALL BE IDOT CLASS SI, WITH A MINIMUM COMPRESSIVE STRENGTH OF 3500 PSI AT 14 DAYS.
- HOLE FOR FOUNDATIONS SHALL BE AUGERED AND FOUNDATIONS SHALL BE VIBRATED IN ACCORDANCE WITH IDOT STANDARD PRACTICES.
- REINFORCING BARS SHALL CONFORM TO BILLET STEEL BARS. (ASTM-A615) SPECIFICATIONS WITH A 6000 PSI MINIMUM YIELD STRENGTH.
- THE TOP 6" OF FOUNDATIONS SHALL BE 24" SQUARE FOR PEDESTRIAN POLES AND 28" SQUARE FOR ROADWAY POLES.
- ALL ITEMS SHOWN INCLUDING CONCRETE, REINFORCEMENT, GROUND ROD, RACEWAYS AND FORMWORK SHALL BE INCLUDED IN THE "LIGHT POLE FOUNDATION, 24" DIAMETER OFFSET" PAY ITEM. FOUNDATIONS SHALL BE MEASURED ALONG CENTER LINES.

BILL OF MATERIALS				
QUAN.	MARK	SIZE	LENGTH	SHAPE
•	A	#3	5'-9"	○
6	B	#3	6'-8"	□
3	C	#6	5-3/2"	┌
3	D	#7	••	┌
2	E	#7	••	┌
3	F	#7	••	┌
8	G	#6	2'-1"	┌
REINFORCING BARS LBS.				285
ANCHOR BOLTS NO.				4
ANCHOR BOLT PLATE NO.				1

- QUANTITY AS REQUIRED
- SIZE AS REQUIRED