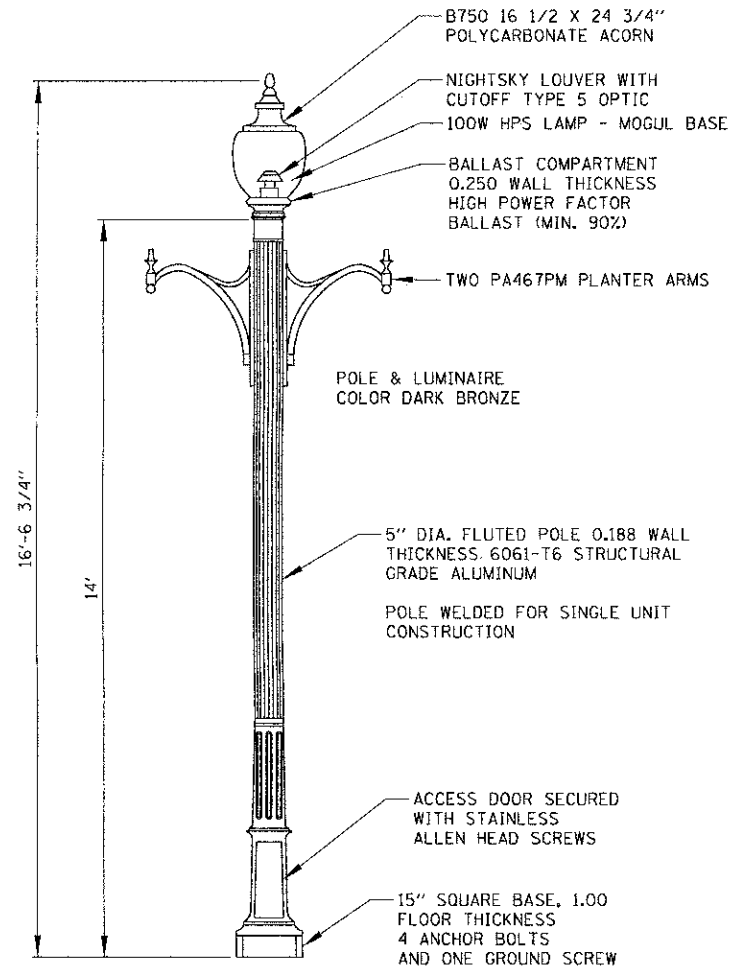
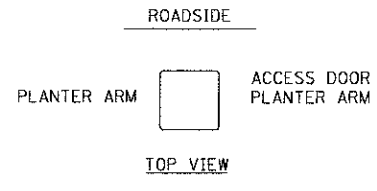


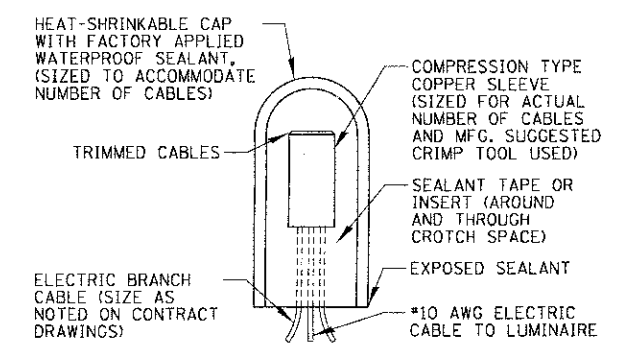
- NOTES:
- POLE:
STERNBERG MODEL #
B430 TFP8/2-HDBA/2-PA467PM/2-SH-1"/1-GFI/DB
(NO EXCEPTIONS).
 - LUMINAIRE:
MANUFACTURER A: STERNBERG MODEL #
I-1950FG/CAS7.5/250 HPS/MULTI/RO3H-L/HPS250/MOG/ED18/DB.
(NO EXCEPTIONS).
 - POLES SHALL BE MADE FROM DOMESTIC STEEL.

ROADWAY LIGHTPOLE DETAIL
N.T.S.

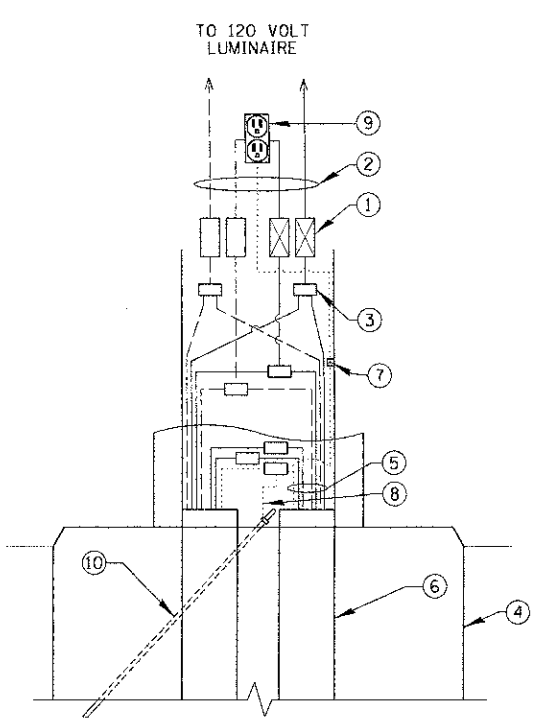


- NOTES:
- POLE:
STERNBERG MODEL #
8614 FP5/2-PA467PM/DB
(NO EXCEPTIONS).
 - LUMINAIRE:
MANUFACTURER A: STERNBERG MODEL #
A850/BD5/100HPS/MULTI/L05-S/HPS100/MOG/DB.
(NO EXCEPTIONS).

PEDESTRIAN LIGHTPOLE DETAIL
N.T.S.



SPlicing ELECTRIC CABLE
N.T.S.



- CONNECTOR KIT METHOD WITH A 7.5A FUSE FOR LUMINAIRE & 5A FUSE FOR RECEPTACLE (NEUTRAL SHALL BE NON-FUSED). FUSES SHALL BE TIME-DELAY TYPE FUSES INSIDE A FUSE HOLDER AND INSULATING BOOTS (BUSSMAN HEB SERIES OR APPROVED EQUAL).
 - NO. 10 A.W.G. WIRE
 - MULTIPLE COMPRESSION FITTINGS (SPLICE)
 - CONCRETE FOUNDATION
 - WIRE AS SHOWN ON PLANS
 - PVC RACEWAY
 - POLE GROUND LUG
 - #6 SOLID GROUND WIRE MECHANICALLY CLAMPED TO GROUND ROD
 - 20A-120V GFCI RECEPTACLE MTD. INSIDE POLE
 - 3/8" DIA. x 10' GROUND ROD
- PHASE CONDUCTOR
- - - GROUND CONDUCTOR
- - - NEUTRAL CONDUCTOR

LIGHT POLE HANDHOLE WIRING DIAGRAM
N.T.S.