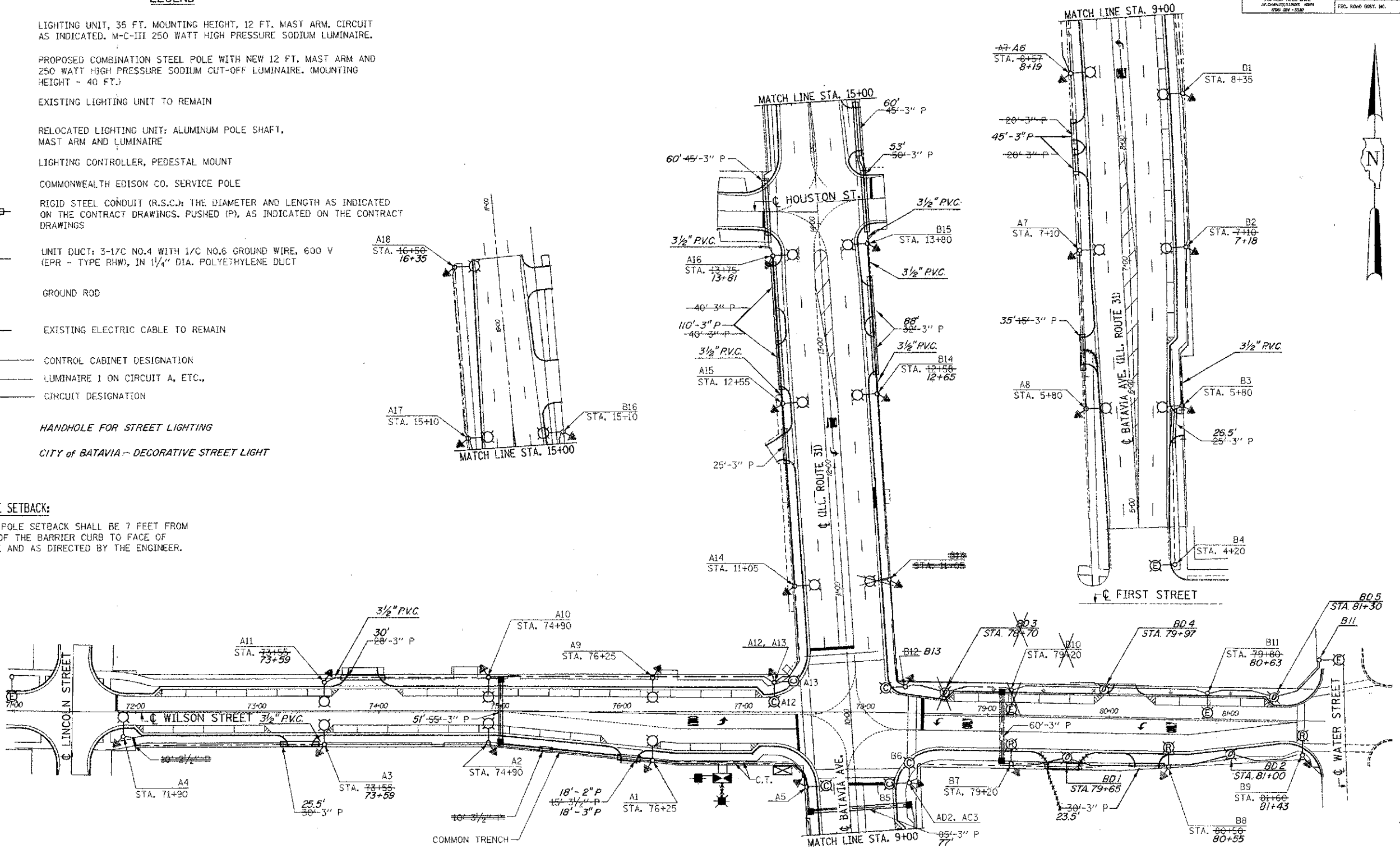


LEGEND

- LIGHTING UNIT, 35 FT. MOUNTING HEIGHT, 12 FT. MAST ARM, CIRCUIT AS INDICATED. M-C-III 250 WATT HIGH PRESSURE SODIUM LUMINAIRE.
- PROPOSED COMBINATION STEEL POLE WITH NEW 12 FT. MAST ARM AND 250 WATT HIGH PRESSURE SODIUM CUT-OFF LUMINAIRE. (MOUNTING HEIGHT - 40 FT.)
- EXISTING LIGHTING UNIT TO REMAIN
- RELOCATED LIGHTING UNIT: ALUMINUM POLE SHAFT, MAST ARM AND LUMINAIRE
- LIGHTING CONTROLLER, PEDESTAL MOUNT
- COMMONWEALTH EDISON CO. SERVICE POLE
- RIGID STEEL CONDUIT (R.S.C.): THE DIAMETER AND LENGTH AS INDICATED ON THE CONTRACT DRAWINGS. PUSHED (P), AS INDICATED ON THE CONTRACT DRAWINGS
- UNIT DUCT: 3-1/2" NO.4 WITH 1/2" NO.6 GROUND WIRE, 600 V (EPR - TYPE RHW), IN 1/4" DIA. POLYETHYLENE DUCT
- GROUND ROD
- EXISTING ELECTRIC CABLE TO REMAIN
- CONTROL CABINET DESIGNATION
LUMINAIRE 1 ON CIRCUIT A, ETC.,
CIRCUIT DESIGNATION
- HANDHOLE FOR STREET LIGHTING
- CITY of BATAVIA - DECORATIVE STREET LIGHT

LIGHT POLE SETBACK:
THE LIGHT POLE SETBACK SHALL BE 7 FEET FROM THE BACK OF THE BARRIER CURB TO FACE OF LIGHT POLE AND AS DIRECTED BY THE ENGINEER.



"AS-BUILTS"

GO GANDHI AND ASSOCIATES, INC.
ENGINEERS AND PLANNERS
6035 N. NORTHWEST HIGHWAY
SUITE 306
CHICAGO, ILLINOIS 60631 TEL. (773) 774-5900

REVISIONS	
NAME	DATE

ILLINOIS DEPARTMENT OF TRANSPORTATION
LIGHTING PLAN
BATAVIA AVENUE
(ILLINOIS ROUTE 31)
AT WILSON STREET

SCALE: 1" = 40'
DATE: 07/03/97
DRAWN BY: SD
CHECKED BY: PKC

RECORD DRAWING - JANUARY 26, 1998