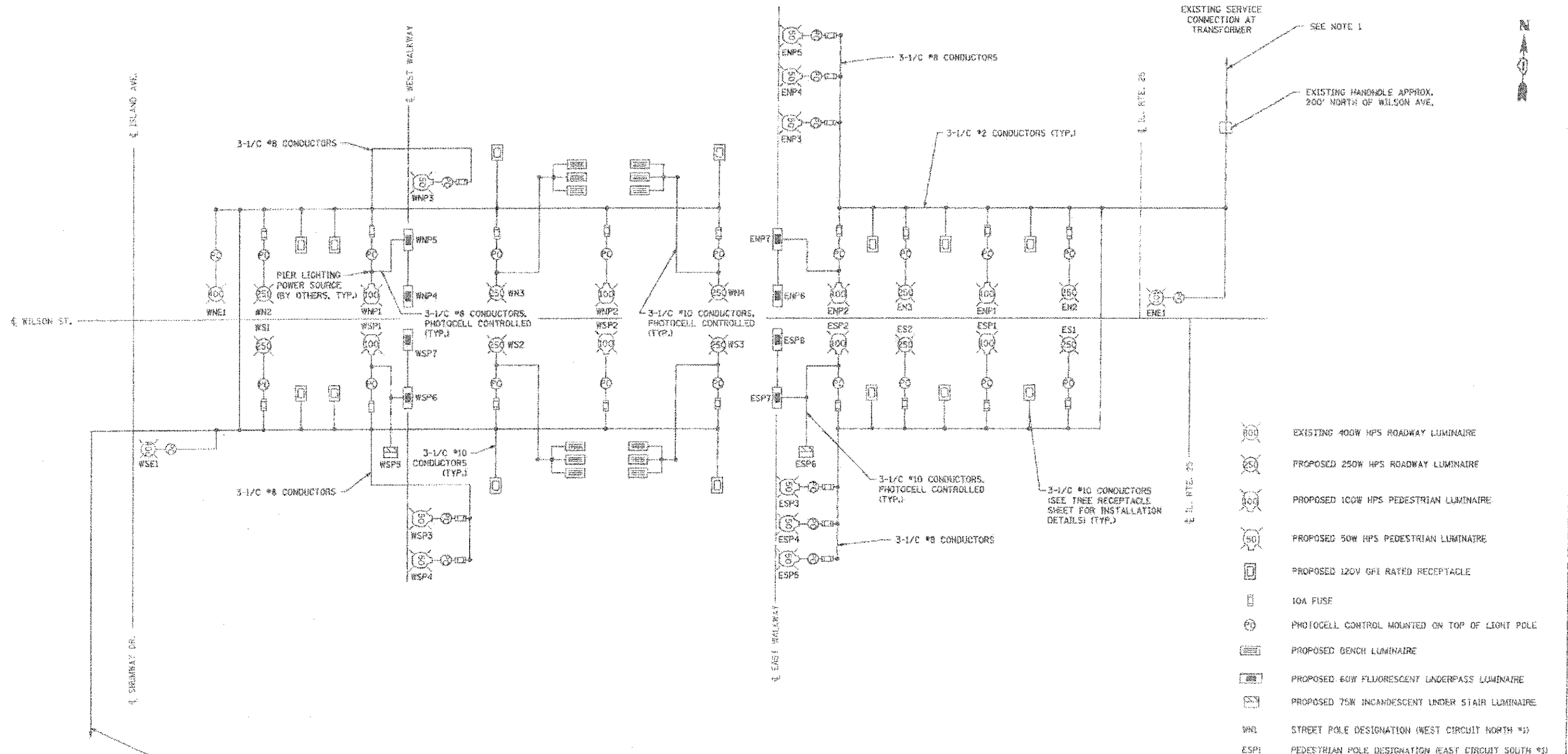


SECTION	COUNTY	TOTAL SHEETS
1441 00-0000-03-BR	KANE	134 / 140
STA.	TO STA.	
FED. AID DIST. NO.	ILLINOIS FED. AID PROJECT	

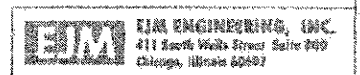


- EXISTING 100W HPS ROADWAY LUMINAIRE
- PROPOSED 250W HPS ROADWAY LUMINAIRE
- PROPOSED 100W HPS PEDESTRIAN LUMINAIRE
- PROPOSED 50W HPS PEDESTRIAN LUMINAIRE
- PROPOSED 120V GFI RATED RECEPTACLE
- 10A FUSE
- PHOTOCELL CONTROL MOUNTED ON TOP OF LIGHT POLE
- PROPOSED BENCH LUMINAIRE
- PROPOSED 60W FLUORESCENT UNDERPASS LUMINAIRE
- PROPOSED 75W INCANDESCENT UNDER STAIR LUMINAIRE
- WNL STREET POLE DESIGNATION (WEST CIRCUIT NORTH #1)
- ESP1 PEDESTRIAN POLE DESIGNATION (EAST CIRCUIT SOUTH #1)

CIRCUIT	LOAD
WEST	75.72 A
EAST	68.40 A

- NOTES:**
- CONTRACTOR TO REPLACE CABLE FROM TRANSFORMER TO HANDHOLE AND CONNECT TO TRANSFORMER WITH NEW FUSES AS DIRECTED BY THE BATAVIA ELECTRICAL DEPARTMENT.
 - CONTRACTOR TO REPLACE CABLE FROM TRANSFORMER TO LIGHT POLE WSE1 AND CONNECT TO TRANSFORMER WITH NEW FUSES AS DIRECTED BY THE BATAVIA ELECTRICAL DEPARTMENT.

REVISIONS	DATE



ILLINOIS DEPARTMENT OF TRANSPORTATION
WILSON STREET
WIRING DIAGRAM
 SCALE: AS SHOWN
 DATE: 09/28/06
 DRAWN BY: JDM
 CHECKED BY: AS