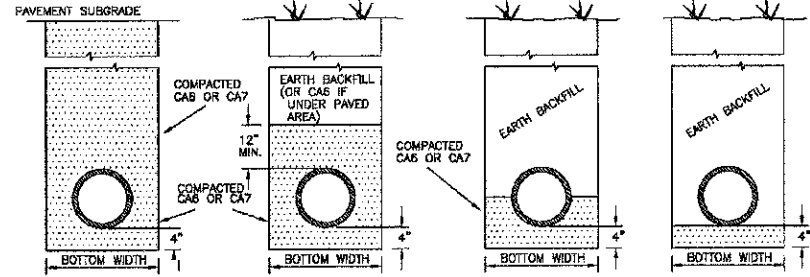


STANDARD TRENCH SECTIONS

1. BOTTOM WIDTH: PIPE SIZES UP TO 24" USE I.D. PLUS 20" OVER 24" USE O.D. PLUS 24"
2. WHERE USED, EARTH BACKFILL SHALL BE JETTED IN PLACE
3. WHERE CROSSING EXISTING ROADWAY CONTROLLED LOW STRENGTH MATERIAL SHALL BE USED WITH A MINIMUM ASPHALT PATCH OF 8" SANITARY MAIN BETWEEN DEPTHS OF SIX FEET (6') AND FOURTEEN FEET (14') PVC PIPE SDR 26 SHALL BE REQUIRED. FOR DEPTHS OF LESS THAN SIX FEET (6') AND GREATER THAN FOURTEEN FEET (14') DUCTILE IRON PIPE CLASS 52 WITH PUSH ON JOINT SHALL BE REQUIRED.
4. SANITARY MAIN BETWEEN DEPTHS OF SIX FEET (6') AND FOURTEEN FEET (14') DUCTILE IRON PIPE CLASS 52 WITH PUSH ON JOINT SHALL BE REQUIRED.

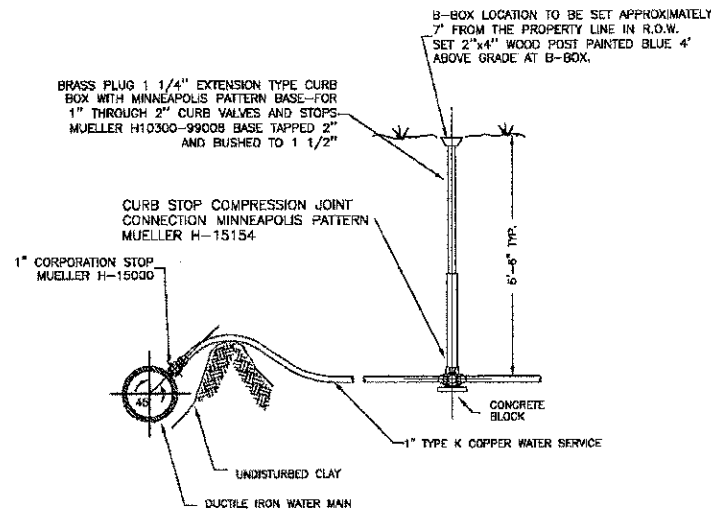


WATER, SANITARY & STORM MAINS
PAVED AREAS

SANITARY & STORM PVC
UNPAVED AREAS

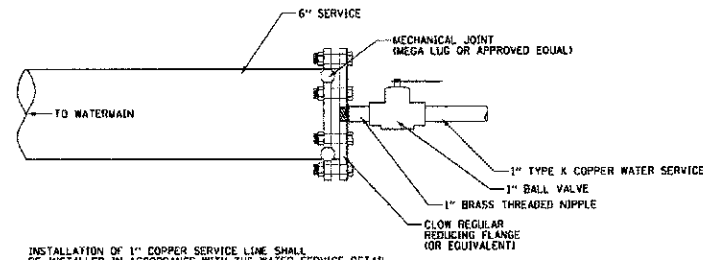
STORM RCP
UNPAVED AREAS

WATER MAIN
UNPAVED AREAS



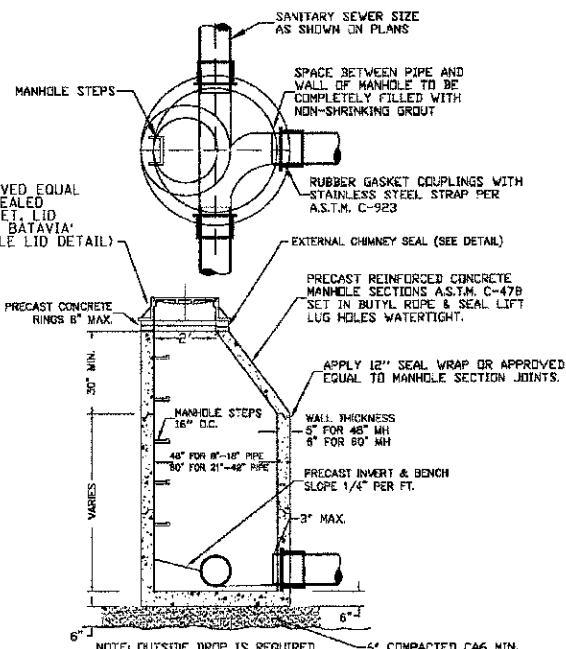
WATER SERVICE LINE SHALL BE IN A SEPARATE TRENCH 10 FT. FROM THE SANITARY SEWER SERVICE LINE OR IF IN THE SAME TRENCH ON A SHELVE 18" MIN. ABOVE THE SEWER LINE. IN WHICH CASE THE SEWER PIPE MATERIAL SHALL BE DUCTILE IRON OR PVC PIPE EQUIVALENT TO WATER MAIN STANDARDS.

WATER SERVICE DETAIL



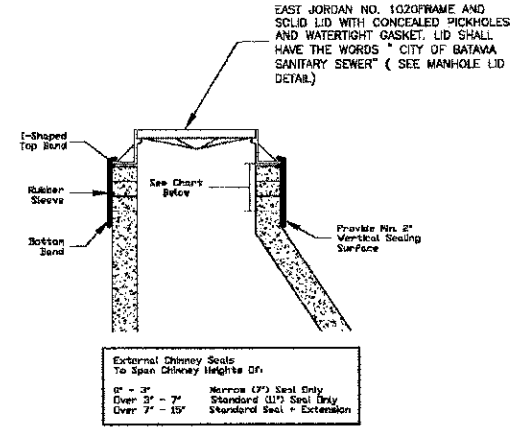
INSTALLATION OF 1" COPPER SERVICE LINE SHALL BE INSTALLED IN ACCORDANCE WITH THE WATER SERVICE DETAIL. THE COST FOR FURNISHING AND INSTALLING THE REGULAR REDUCING FLANGE, BRASS NIPPLE, AND 1" TYPE K COPPER SERVICE LINE SHALL BE INCLUDED IN THE COST OF 6" WATER MAIN

6" WATER SERVICE CONNECTION DETAIL



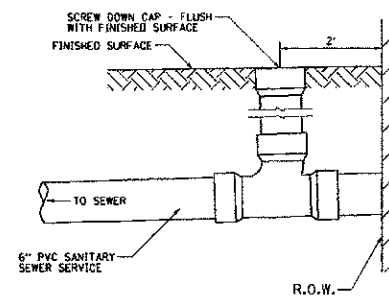
SANITARY SEWER MANHOLE

SANITARY SEWER SERVICE AND SERVICE RISER

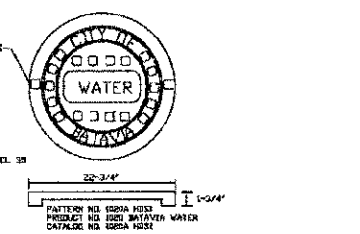
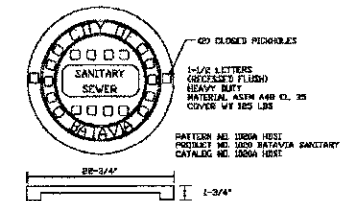
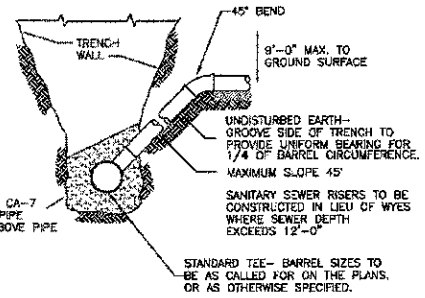
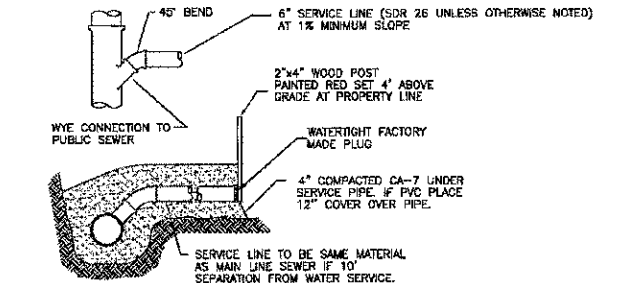


External Chimney Seals Shall be Installed On All Sanitary Sewer Manholes. External Chimney Seals Shall be the "SURSEAL" As Manufactured by Max Inc Construction Products, Inc. Or Pre-Approved Equal. Chimney Seals Shall be Installed In Accordance With The Manufacturer's Instructions.

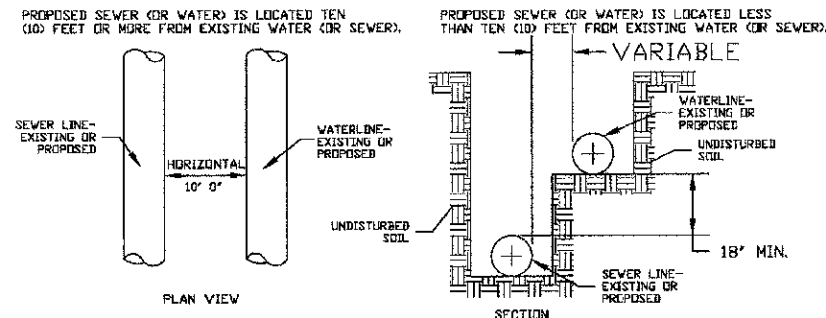
EXTERNAL CHIMNEY SEAL DETAIL



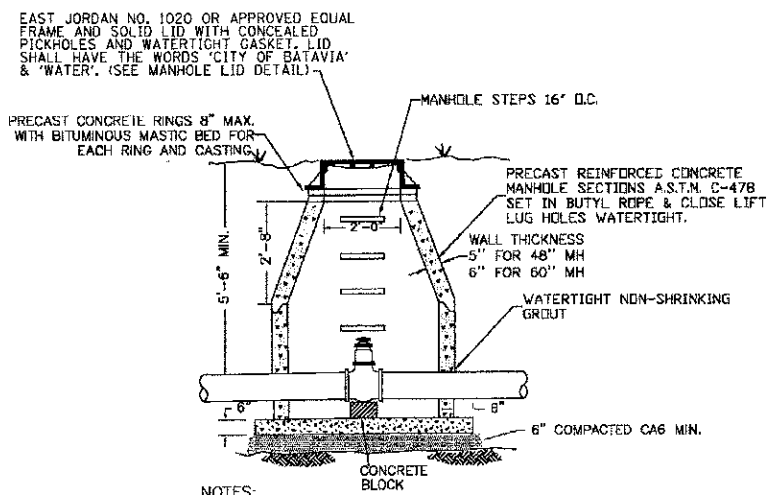
SANITARY SERVICE CLEANOUT DETAIL



MANHOLE LID DETAIL

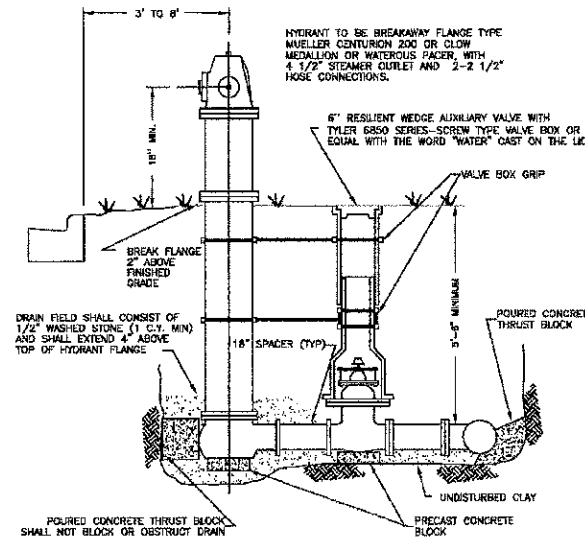


WATER AND SEWER SEPARATION DETAIL



- NOTES:
1. VALVE VAULT OPENING SHALL BE CENTERED OVER VALVE & CASTING TO BE SET AT FINISH GRADE AS SHOWN ON PLANS.
 2. INSIDE DIAMETER SHALL BE 48" FOR WATER MAIN 6" THROUGH 10" AND 60" FOR WATER MAIN 12" AND OVER
 3. VALVES SHALL BE RESILIENT WEDGE GATE VALVES CONFORMING TO ANNA O200 AND SHALL BE MUELLER, WATERLOUS, CLOW OR APPROVED EQUAL.
 4. ALL NUTS AND BOLTS ON VALVE ARE TO BE STAINLESS STEEL.
 5. MEG-A-LUGS SHALL BE USED.

WATER VALVE VAULT DETAIL



- NOTES:
1. HYDRANT, VALVE AND TEE SHALL BE SECURELY TIED TOGETHER WITH MEG-A-LUGS AND POURED CONCRETE THRUST BLOCKS.
 2. ALL NUTS AND BOLTS ON HYDRANTS AND VALVES ARE TO BE STAINLESS STEEL.
 3. HYDRANT AND VALVE ARE TO BE SET PLUMB AT THE ELEVATION SHOWN ON PLANS.
 4. HYDRANT SHALL HAVE TWO COATS OF PAINT MATCHING THE CITY STANDARD FOR COLOR, COMMONLY KNOWN AS "PARROT GREEN", TRIMEC PAINT CORPORATION NO. 61499 OR WATERLOUS COLOR BY SIERRA PAINT CORPORATION NO. 6590-M-4188 AND SHALL HAVE "HYDRANTER STANDARD" HYDRANT LOCATOR.

FIRE HYDRANT

CHRISTOPHER B. BURKE
ENGINEERING, LTD.
9575 W. Higgins Road, Suite 600
Rosemont, Illinois 60018
(847) 823-0500

USFR NAME = cbbwpl
DESIGNED CJM
DRAWN MAK
CHECKED LMF
DATE

REVISIONS
REVISIONS
REVISIONS
REVISIONS

STATE OF ILLINOIS
DEPARTMENT OF TRANSPORTATION

WATERMAIN AND SANITARY SEWER
CONSTRUCTION DETAILS

SCALE: NTS SHEET 76 OF 88 SHEETS STA. TO STA.

F.A.U. RTE. 1441	SECTION 12-00073-01-TL	COUNTY KANE	TOTAL SHEETS 88	SHEET NO. 76
CONTRACT NO. 63763				ILLINOIS FED. AID PROJECT