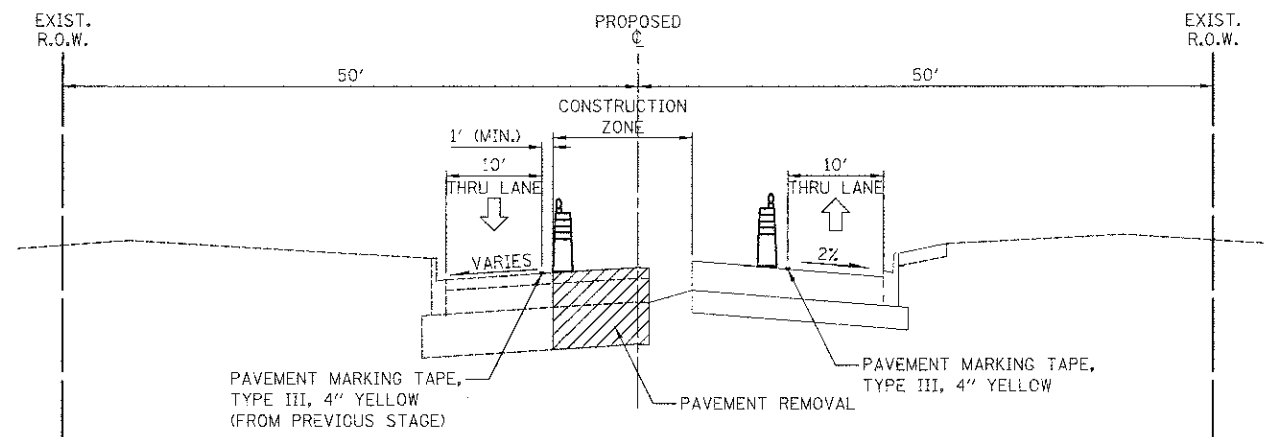
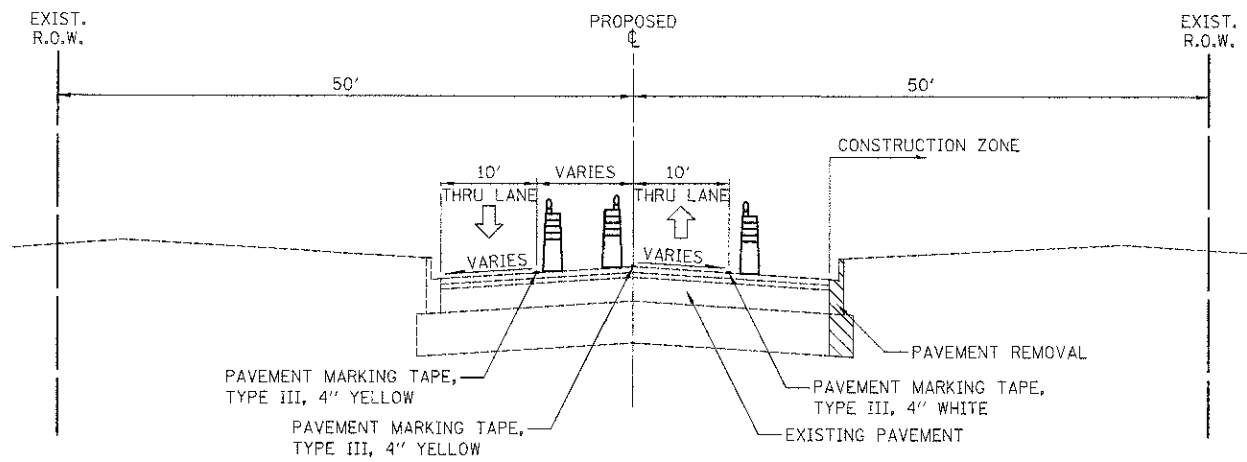


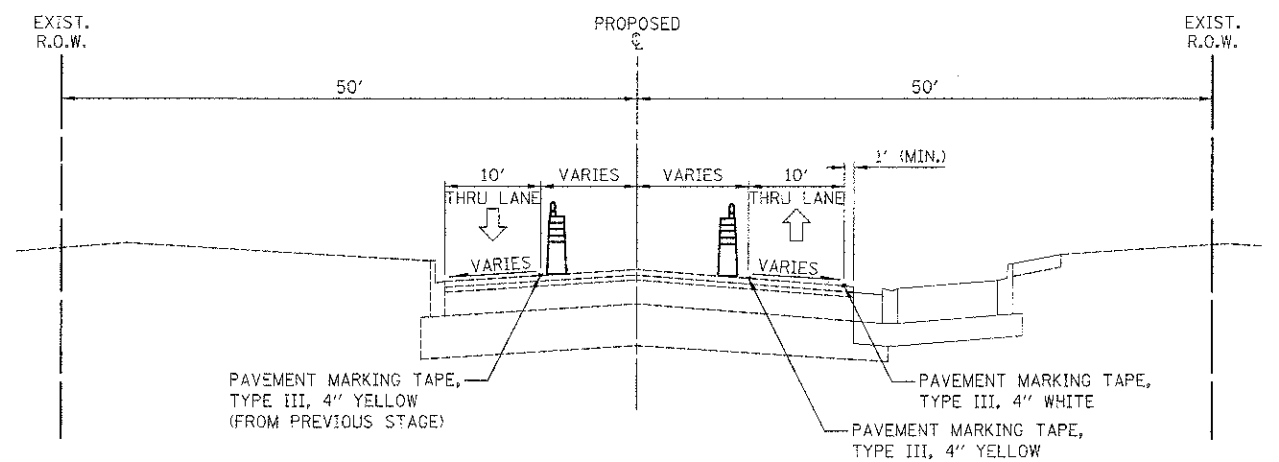
STAGE I
31ST STREET
STA. 207+06.00 TO STA. 211+00.00



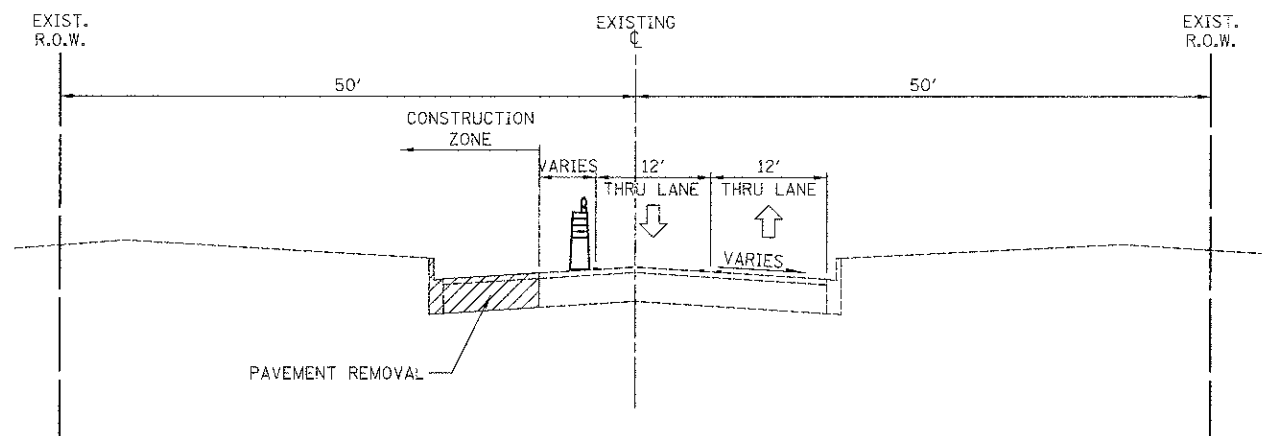
STAGE II
31ST STREET
STA. 207+06.00 TO STA. 211+00.00



STAGE I
31ST STREET
STA. 211+00.00 TO STA. 216+00.00



STAGE II
31ST STREET
STA. 211+00.00 TO STA. 216+00.00



STAGE II, III, IV
GOLFVIEW AVENUE
STA. 11+20.01 TO STA. 15+77.95

FILE NAME = ... \sheet\08-MOT\2563-MOT-01.dgn	USER NAME = dte	DESIGNED - KWH	REVISED -
		DRAWN - KWH	REVISED -
		CHECKED - GAB	REVISED -
		DATE - 10/22/2012	REVISED -

**STATE OF ILLINOIS
DEPARTMENT OF TRANSPORTATION**

MAINTENANCE OF TRAFFIC - TYPICAL SECTIONS

SCALE: N.T.S. SHEET NO. 1 OF 12 SHEETS STA. 207+06.00 TO STA. 216+00.00

F.A.U. RTE.	SECTION	COUNTY	TOTAL SHEETS	SHEET NO.
3784	12-F3000-23-PK	COOK	133	36
FED. ROAD DIST. No. 1 ILLINOIS				FED. AID PROJECT
CONTRACT NO. 63764				