

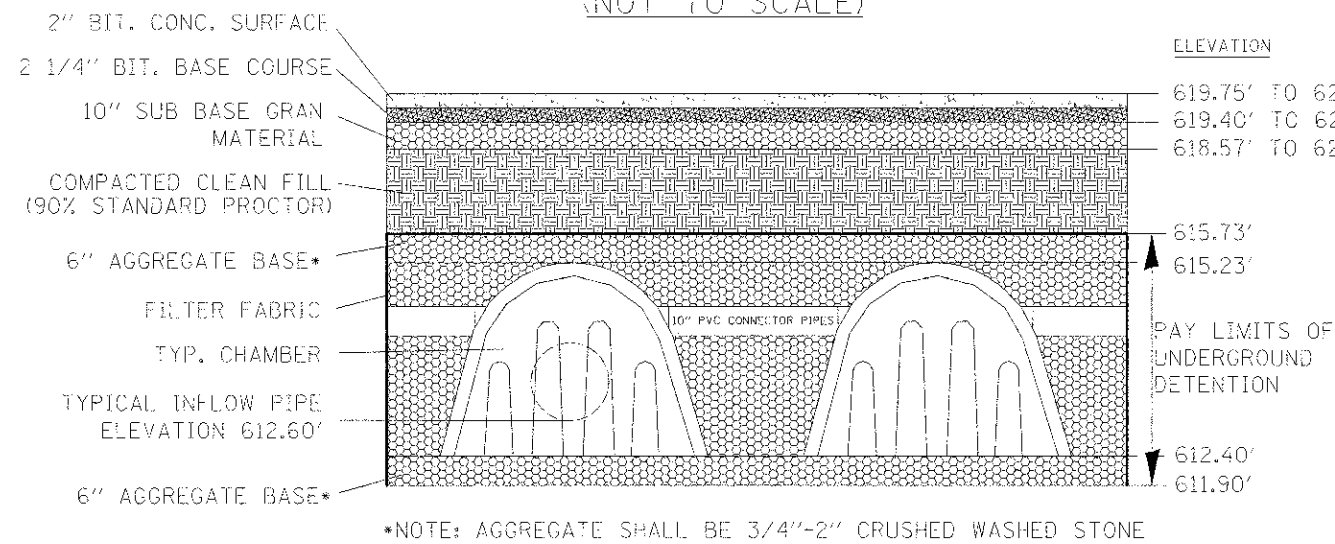
**DETENTION MATERIALS**

- ① START CHAMBERS  
LAYOUT LENGTHS = 8.1'
- ② SedimentTrap (8 TOTAL) WITH  
10" CLEANOUT RISER PIPES
- ③ 10" PVC CONNECTOR PIPES
- ④ HEAVY DUTY  
STABILIZATION NETTING
- ⑤ OUTLET STRUCTURE N14  
(SEE DETAIL)
- ⑥ END CHAMBERS  
LAYOUT LENGTHS = 8.1'

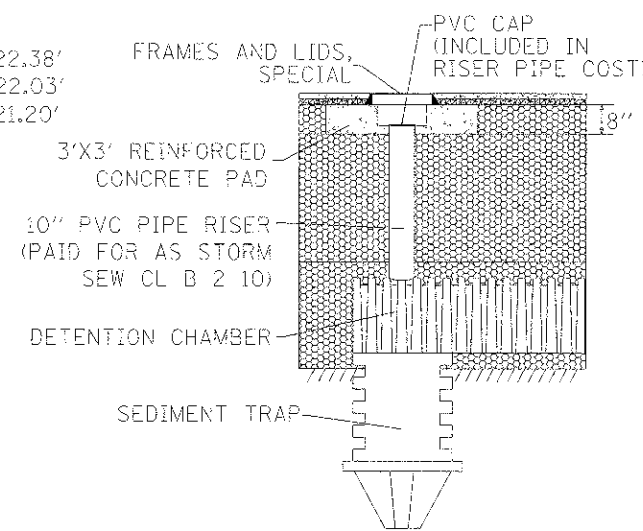
**NOTES:**

1. RISER PIPE SHALL EXTEND 3" INTO CONCRETE PAD. FRAME AND LID SHALL BE PLACED DIRECTLY ON PIPE.
2. CONCRETE PAD SHALL HAVE 15" DIAMETER GAP FOR RISER PIPE ACCESS. FILL CONCRETE AROUND RISER PIPE UP TO 3" ABOVE CONCRETE PAD BASE.
3. THE DETENTION BASIN HAS 78 CHAMBERS, AND HAS A CAPACITY OF 0.21 AC-FT. THE BASIN SHALL BE EXCAVATED 1 FT OUTSIDE BASIN DIMENSIONS.

**CROSS-SECTION OF UNDERGROUND DETENTION AREA  
(NOT TO SCALE)**



**SEDIMENT TRAP DETAIL  
(NOT TO SCALE)**



**OUTLET STRUCTURE N14**

STRUCTURE	DIA. "A"	INVERT "A"	DIMENSION "D"	TOP OF RESTRICTOR PLATE ELEV.
N14	0.36'	612.45'	3.15'	615.60'

