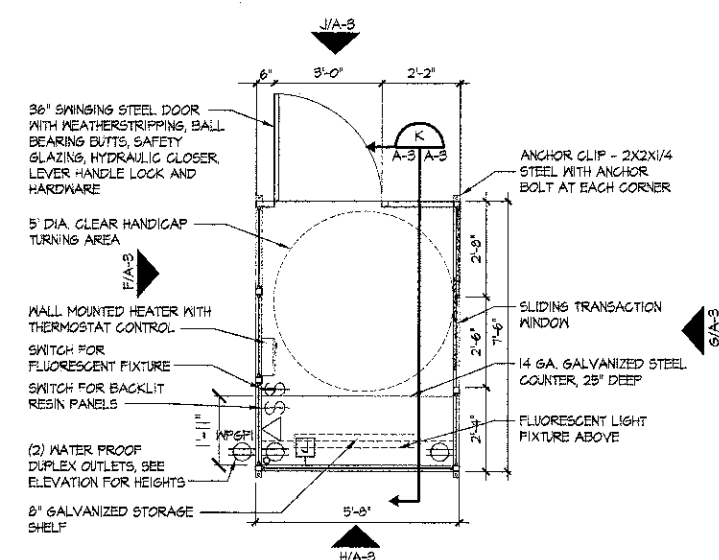
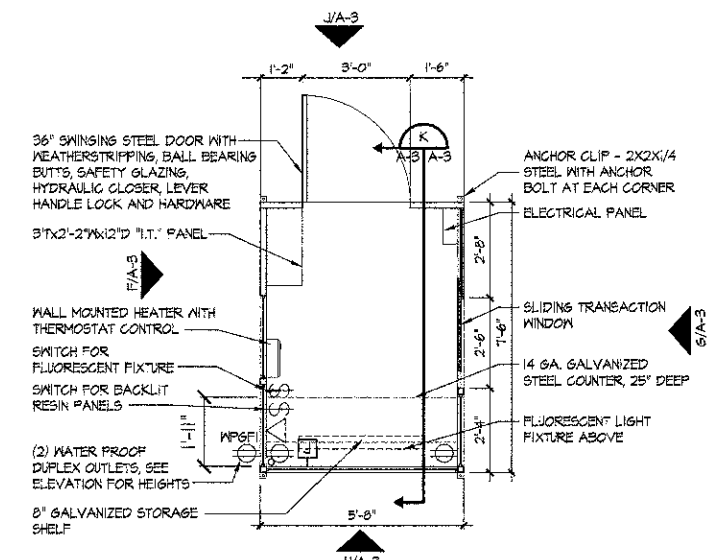


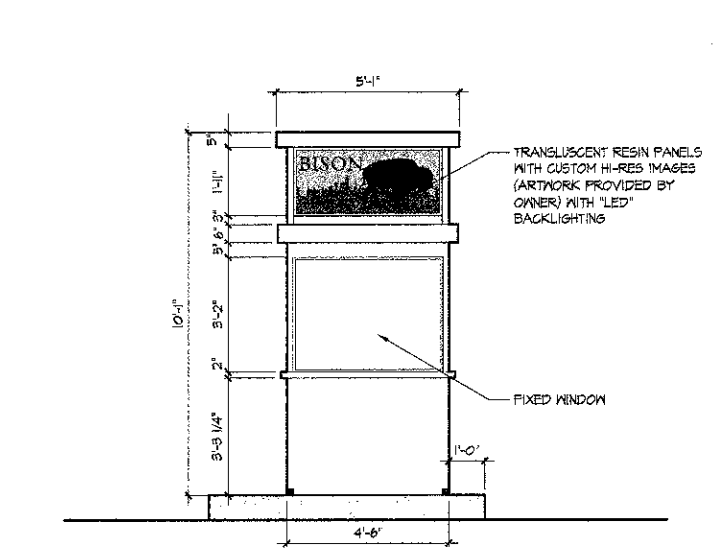
A TYPICAL KIOSK PLAN
3/8"=1'-0"



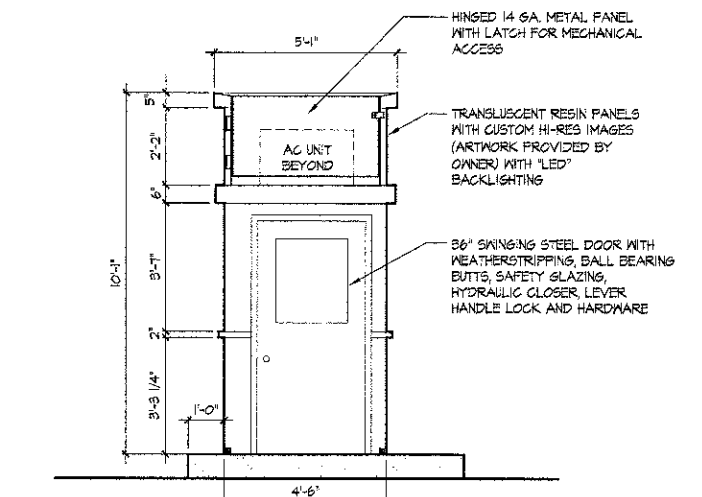
B HANDICAP KIOSK PLAN
3/8"=1'-0"



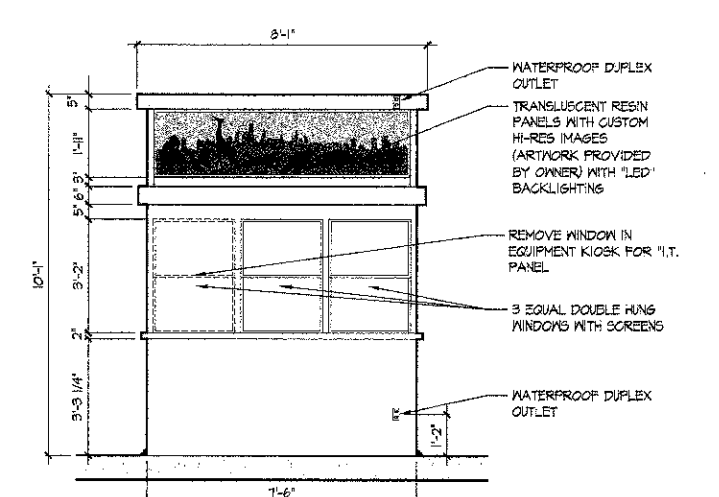
C EQUIPMENT KIOSK PLAN
3/8"=1'-0"



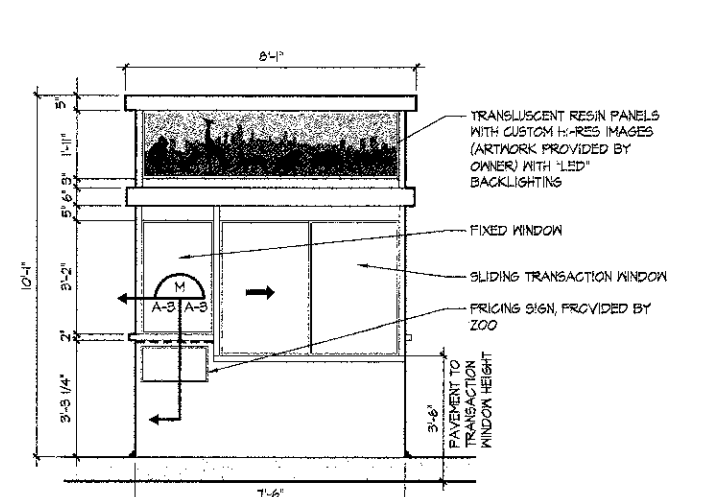
D KIOSK FRONT ELEVATION
3/8"=1'-0"



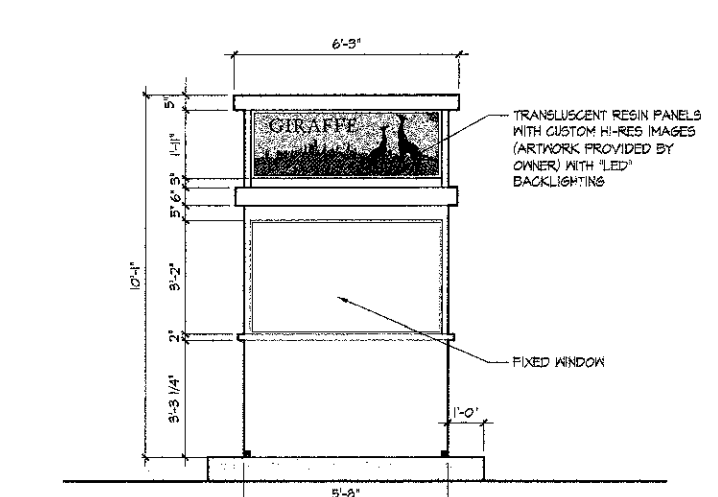
E KIOSK REAR ELEVATION
3/8"=1'-0"



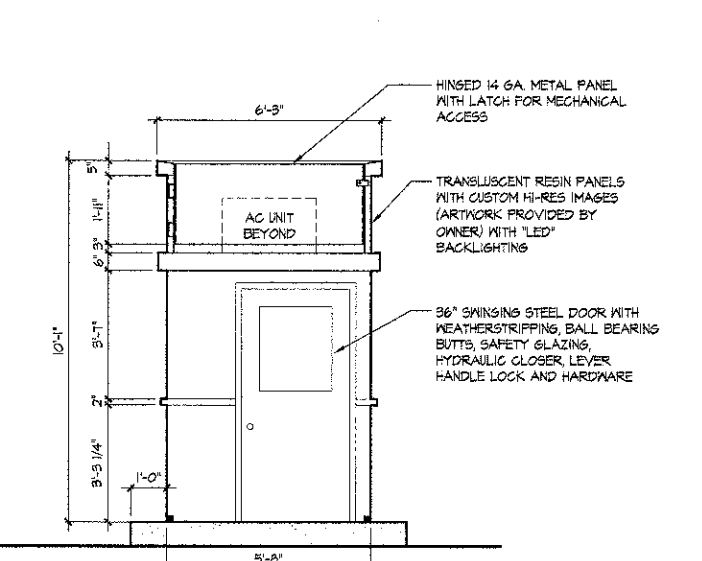
F KIOSK SIDE ELEVATION TYPICAL
3/8"=1'-0"



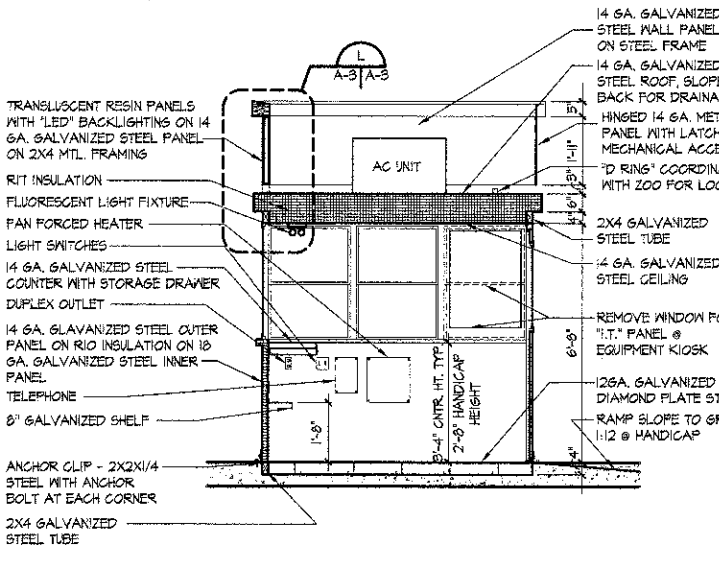
G KIOSK SIDE ELEVATION TYPICAL
3/8"=1'-0"



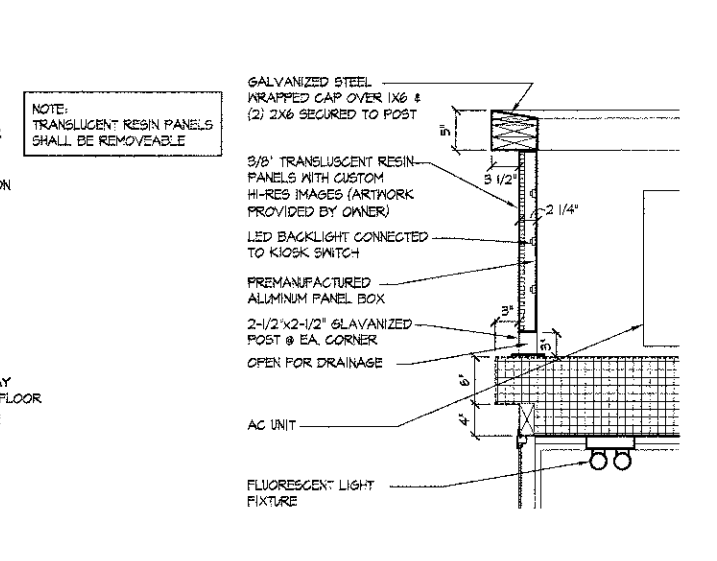
H HNDCP. KIOSK FRONT ELEVATION
3/8"=1'-0"



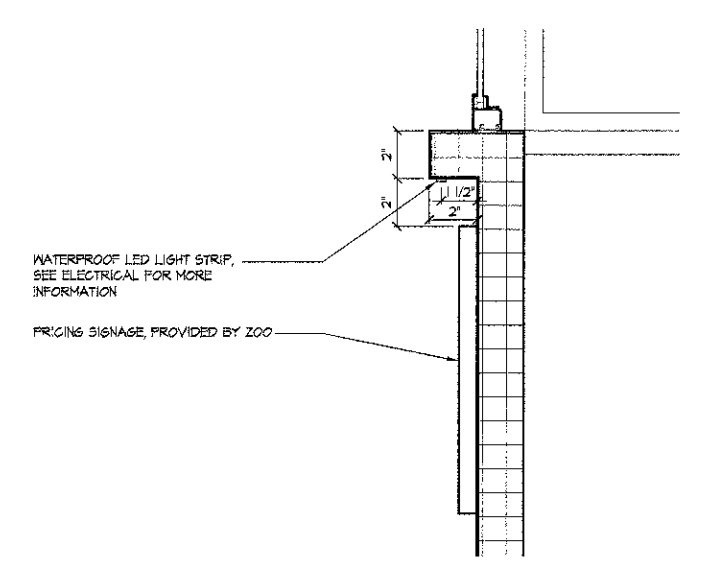
I HNDCP. KIOSK REAR ELEVATION
3/8"=1'-0"



J KIOSK SECTION
3/8"=1'-0"



K DETAIL
1"=1'-0"



L DETAIL
3"=1'-0"