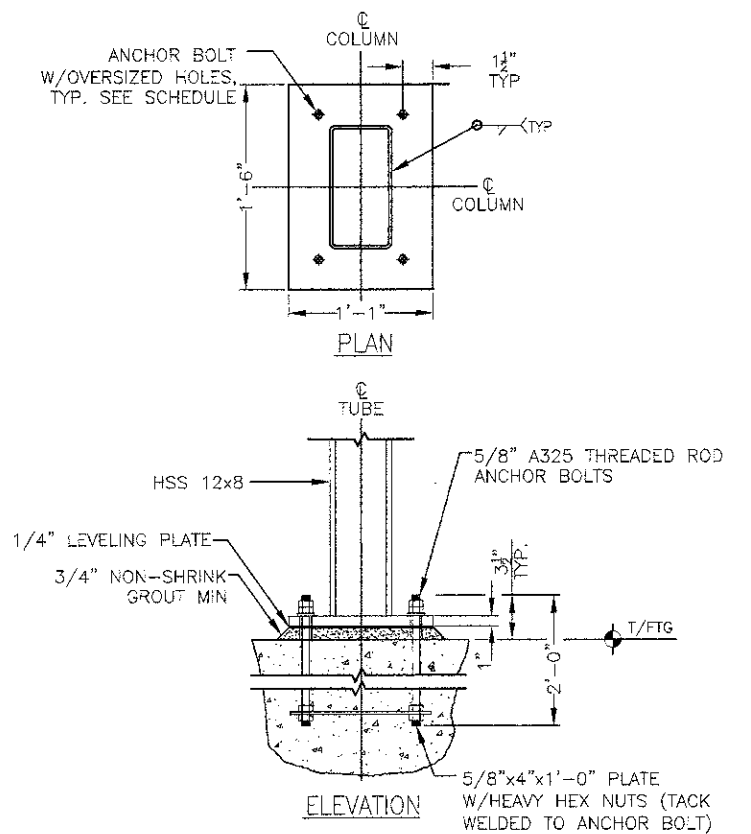
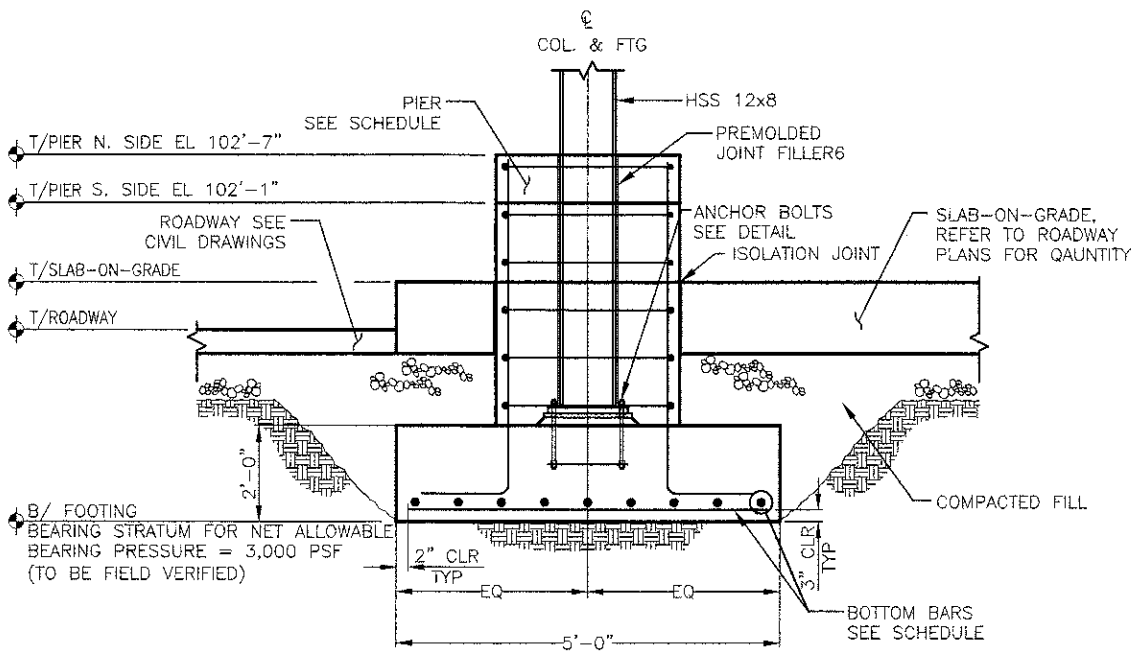


1 FOUNDATION PLAN
 SCALE: 3/16" = 1'-0"
 * REFER TO ROADWAY PLANS FOR HANDICAP RAMP LOCATION AND DETAILS

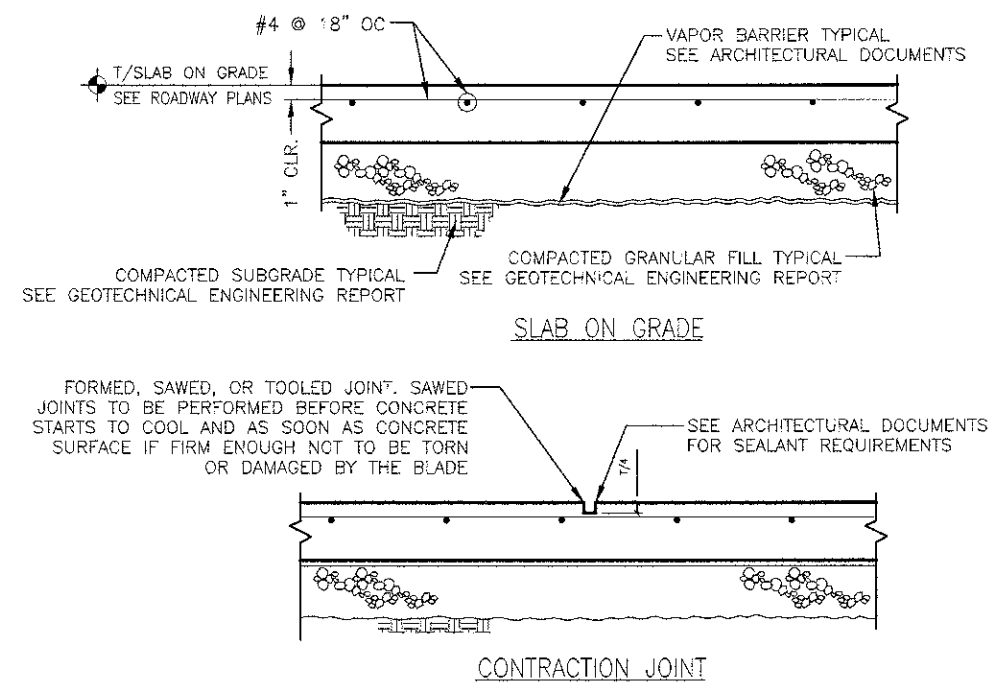


2 TYPICAL COLUMN BASE
 NOT TO SCALE

NOTES:
 1. WELDS ARE AWS MIN UNLESS NOTED
 2. MILL BASE PLATE AND COLUMN AT CONTACT SURFACES



3 TYPICAL ISOLATED FOOTING
 NOT TO SCALE



4 TYPICAL SLAB ON GRADE DETAILS
 NOT TO SCALE

SLAB-ON-GRADE AROUND KIOSK IS INCLUDED IN THE ROADWAY PAY ITEMS

FOOTING SCHEDULE				
MARK	SIZE	SHORT BARS BOTTOM BARS	LONG BARS BOTTOM	NOTES
F1	6'-0" x 5'-0" x 2'-0"	6-#5	5-#5	EPOXY COATED

PIER SCHEDULE					
MARK	SIZE	VERTICAL BARS	TIES	DOWELS	NOTES
P1	24" x 24"	16-#5	#4@10"	10-#5	EPOXY COATED

- NOTES:
- XXX'-X" INDICATES T/ SLAB-ON-GRADE ELEVATION.
 - [96'-6"] INDICATES B/FTG ELEVATION
 - (102'-7") INDICATES T/ PIER ELEVATION ON N. SIDE
(102'-1") INDICATES T/ PIER ON S. SIDE (NOT SHOWN ON PLANS)
 - INDICATES A 4" DEPRESSION AT KIOSK