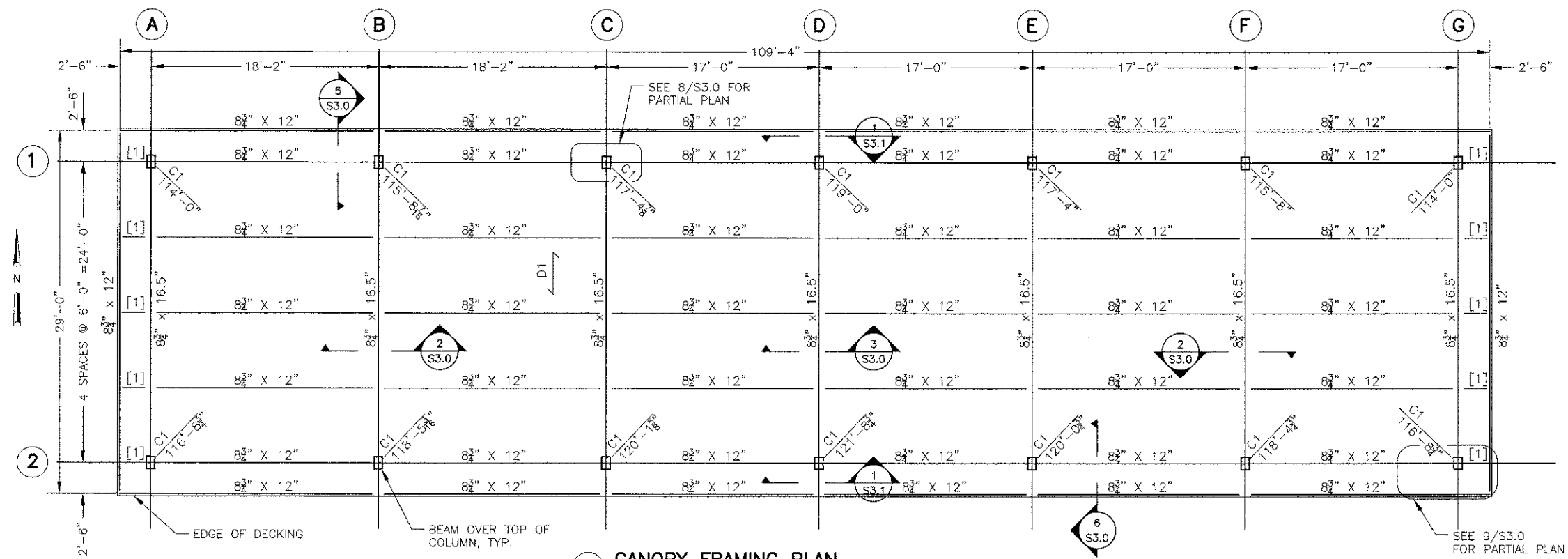
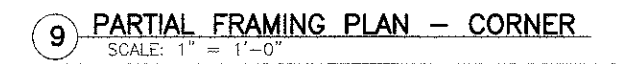
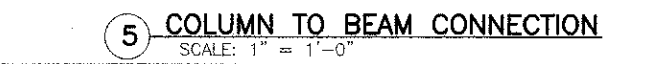
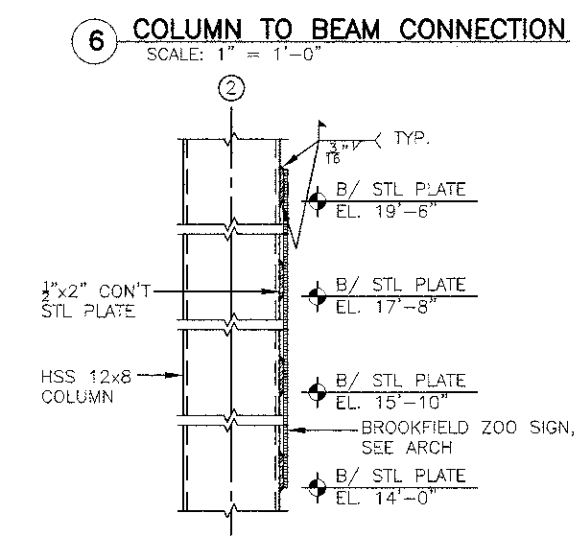
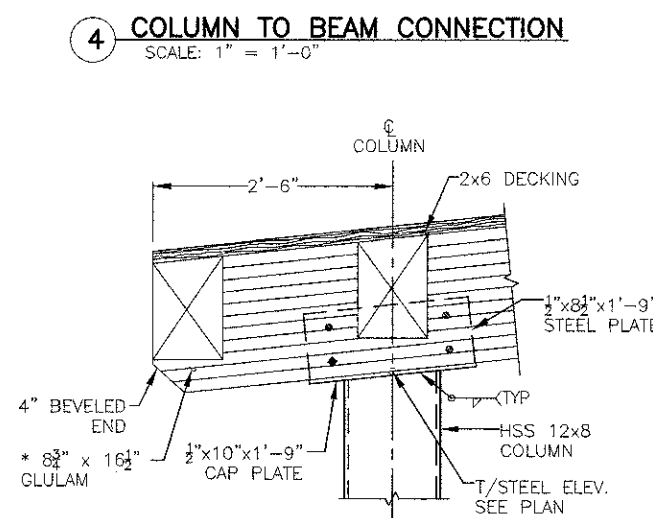
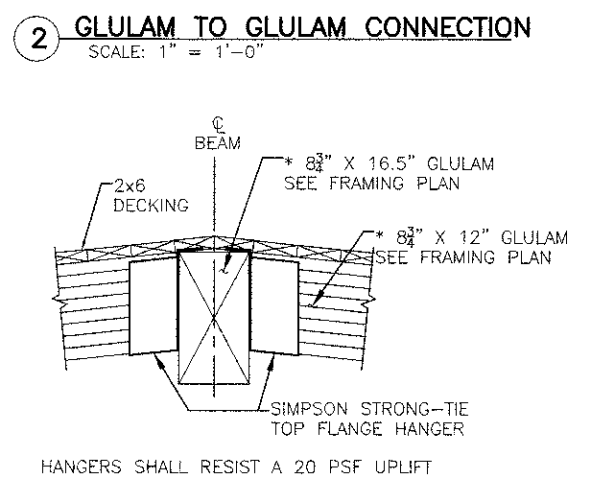
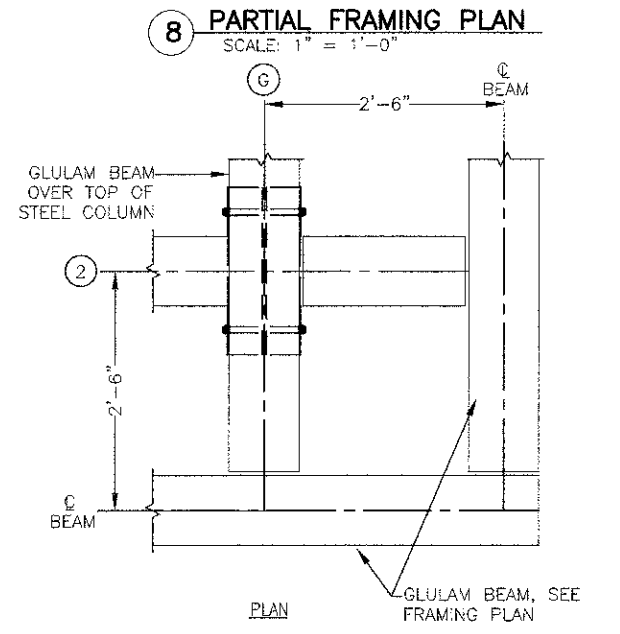
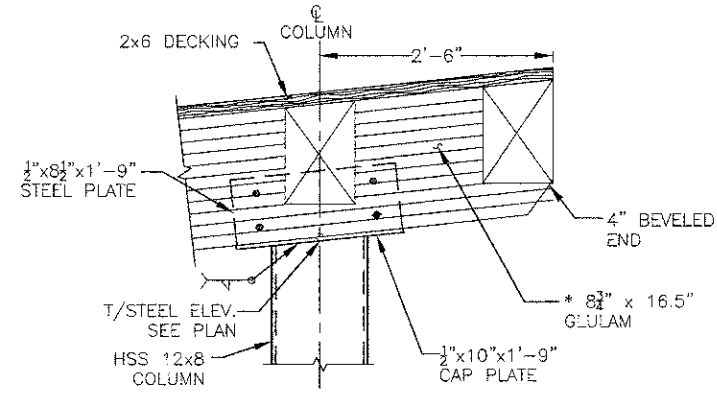
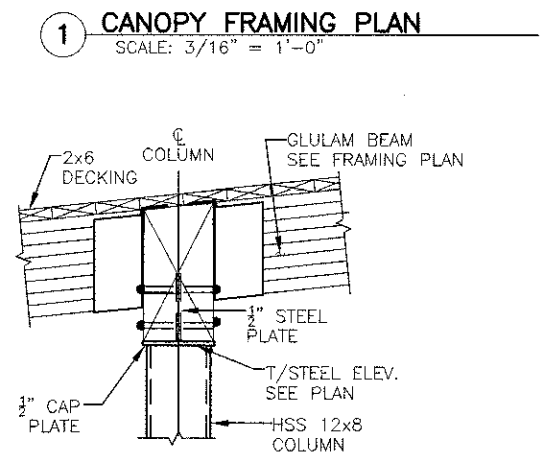
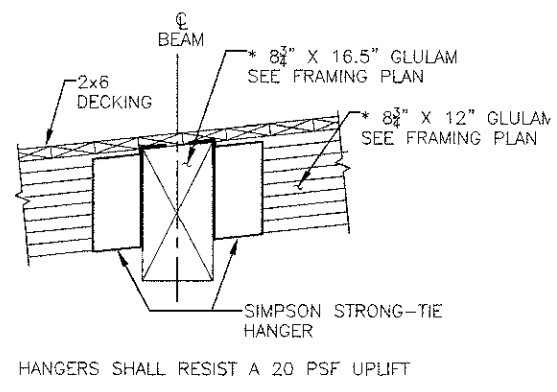
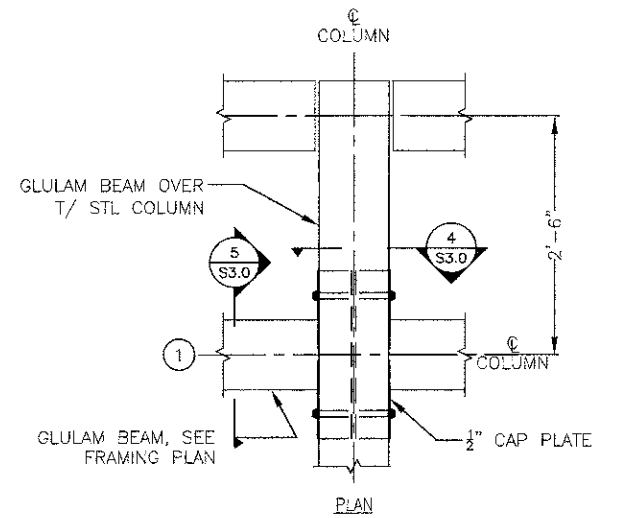


- NOTES:**
- D1 INDICATES 2x6 LAMINATED DECKING.
 - C1 INDICATES COLUMN HSS 12x8x8
 - XXX'-X" INDICATES TOP OF STEEL TAKEN AT CENTERLINE OF COLUMN AT THE TOP OF THE CAP PLATE
 - ALL CANOPY FRAMING SHALL BE GLUED LAMINATED TIMBER, 24F-V5 SP/SP.
 - [1] INDICATES 8 3/4"x12" 24F-V5 SP/SP
 - * INDICATES THE MIN. DIMENSION FOR MEMBER. GLULAMS CAN BE BUILT UP FOR ROOF SLOPE
 - COLUMNS TO BE GALVANIZED AND PAINTED HARTFORD GREEN.
 - SIMPSON STRONG TIE CONNECTIONS SHALL BE PAINTED BLACK.



GLUED LAMINATED TIMBER CONNECTION FORCES

MEMBER	SERVICE SHEAR	FACTORED SHEAR
8 3/4" X 12"	6 (K)	9 (K)
8 3/4" X 16 1/2"	15 (K)	22 (K)



\$FILES \$TIME \$DATE \$USERS


 450 E Devon Ave, Suite 300
 Itasca, Illinois 60143
 Tel: 630.773.3900 Fax: 630.773.3975
 www.civiltechinc.com

DRAWN - M. LANGE	REVISED -
DESIGNED - M. LANGE	REVISED -
CHECKED - G. HATLESTAD	REVISED -
DATE - 10/22/2012	REVISED -

STATE OF ILLINOIS
DEPARTMENT OF TRANSPORTATION

BROOKFIELD ZOO CANOPY
CANOPY FRAMING PLAN

P.A.J. RTE. 3784	SECTION 06-0019-00-PK	COUNTY COOK	TOTAL SHEETS 133	SHEET NO. 109
CONTRACT NO.				

SHEET NO. S3.0

ILLINOIS FED. AID PROJECT