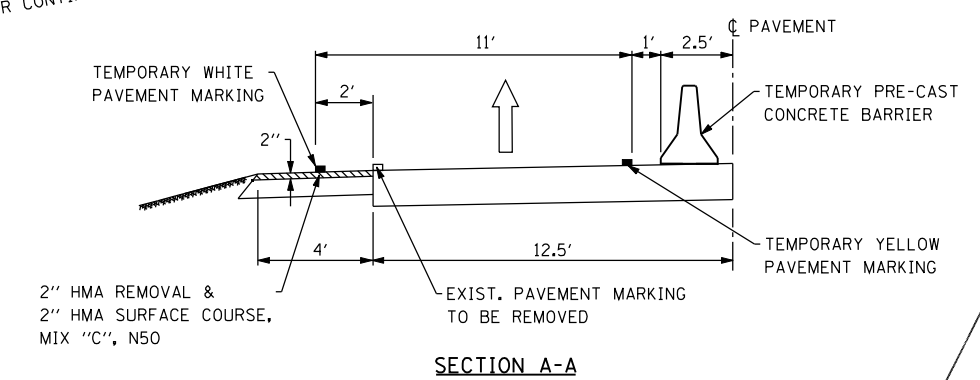
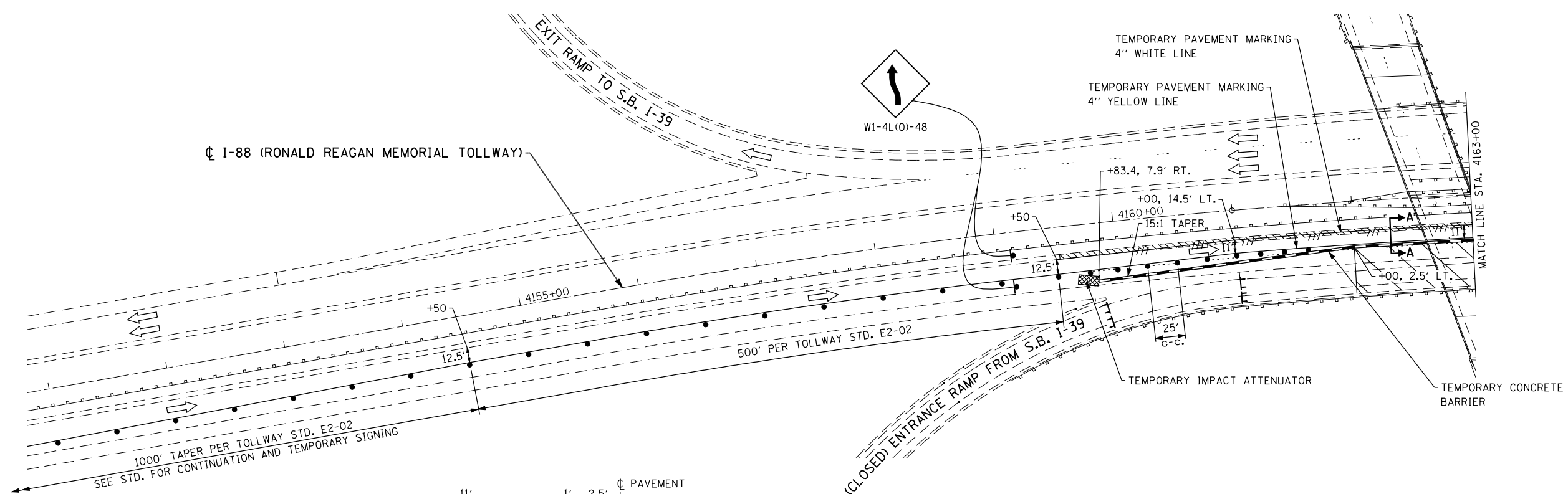
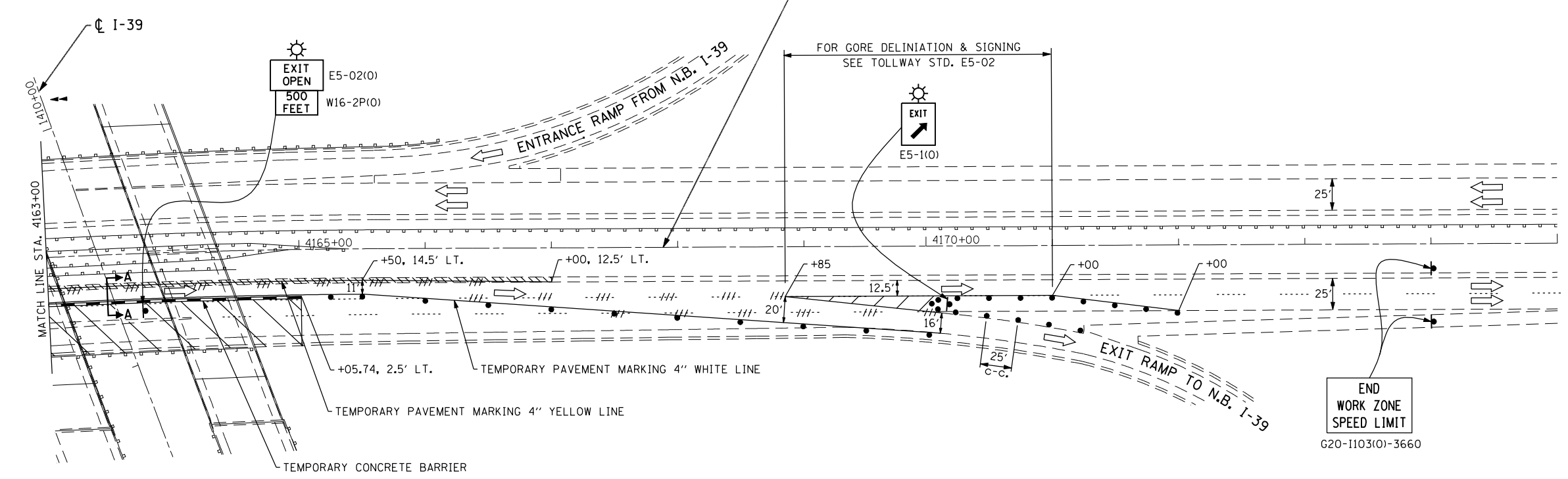


DATE	
BY	
NO.	
FINAL SURVEY	
SURVEYED	
PLOTTED	
TEMPLATE	
AREAS CHECKED	

DATE	
BY	
NO.	
ORIGINAL SURVEY	
SURVEYED	
PLOTTED	
TEMPLATE	
AREAS CHECKED	



- NOTE:**
1. TRAFFIC CONTROL AND PROTECTION FOR WORK ON THE TOLLWAY (I-88), SHOWN IN STAGES I-IV, SHALL BE PAID FOR UNDER ITEM "TRAFFIC CONTROL AND PROTECTION, STANDARD 701402". TEMPORARY CONCRETE BARRIER, TEMPORARY IMPACT ATTENUATOR AND TEMPORARY PAVEMENT MARKINGS WILL BE PAID FOR SEPARATELY.
 2. BARRIER WALL OFFSETS ARE TO THE TRAFFIC SIDE OF THE WALL.
 3. LEFT/RIGHT OFFSETS ARE FROM THE CENTERLINE OF EACH DIRECTION OF TRAFFIC, NOT FROM CENTERLINE OF ROADWAY.



FILE NAME = sht-stagel.01 I-88.dgn
 PLOT DATE = 9/6/2012
 PLOT SCALE = 100.0000' / IN.

CHRISTIAN-ROGE & ASSOCIATES, INC.
 ENGINEERS-PLANNERS-SURVEYORS
 211 WEST WACKER DRIVE
 CHICAGO, ILLINOIS 60606
 PHONE: (312)372-2023 FAX: (312)372-8274

DESIGNED	- E.M.	REVISED	-
DRAWN	- B.K.	REVISED	-
CHECKED	- G.F.L.	REVISED	-
DATE	- JULY 2012	REVISED	-

**STATE OF ILLINOIS
 DEPARTMENT OF TRANSPORTATION**

**TRAFFIC CONTROL AND PROTECTION
 I-88 UNDER I-39
 STAGE I**

SCALE: SHEET NO. OF SHEETS STA. TO STA.

F.A.I. RTE.	SECTION	COUNTY	TOTAL SHEETS	SHEET NO.
39	D2 BRIDGE PAINTING 2013-2	OGLE	26	8
				CONTRACT NO. 64J27
FED. ROAD DIST. NO. 1 ILLINOIS FED. AID PROJECT				