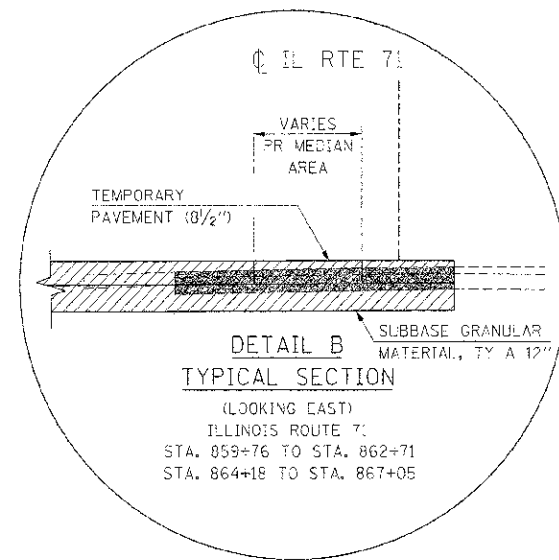
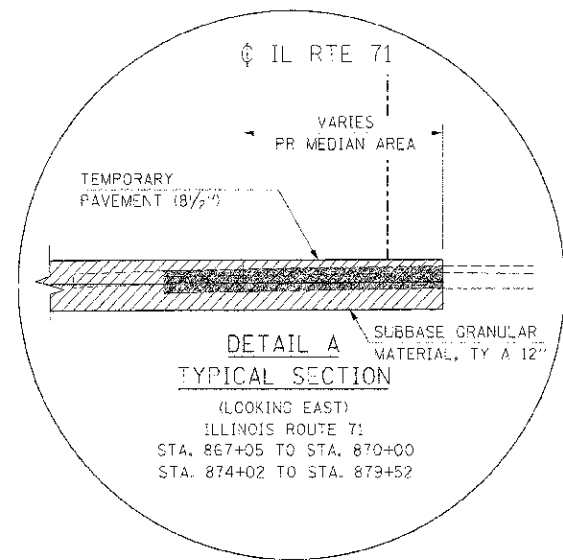
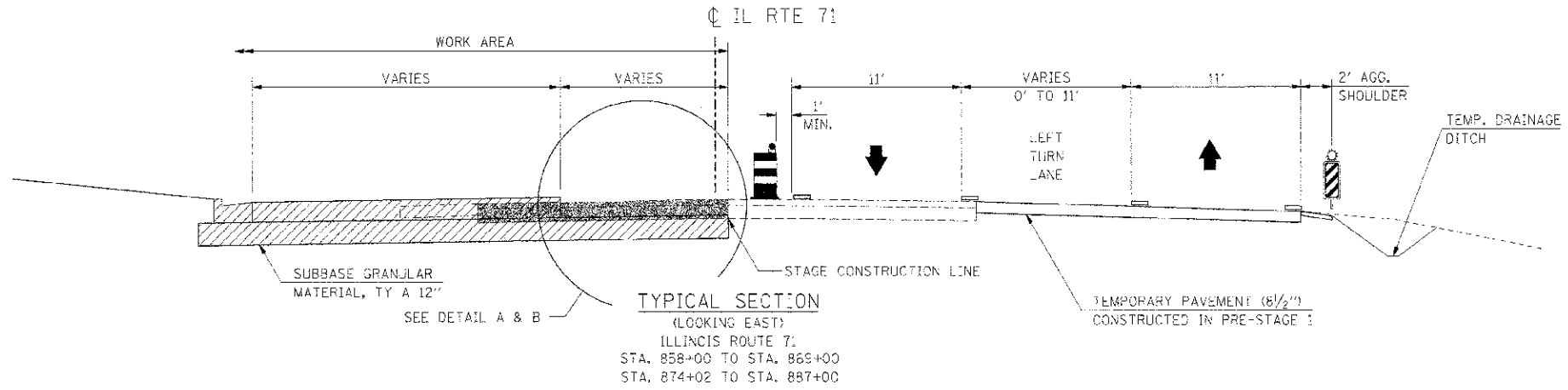
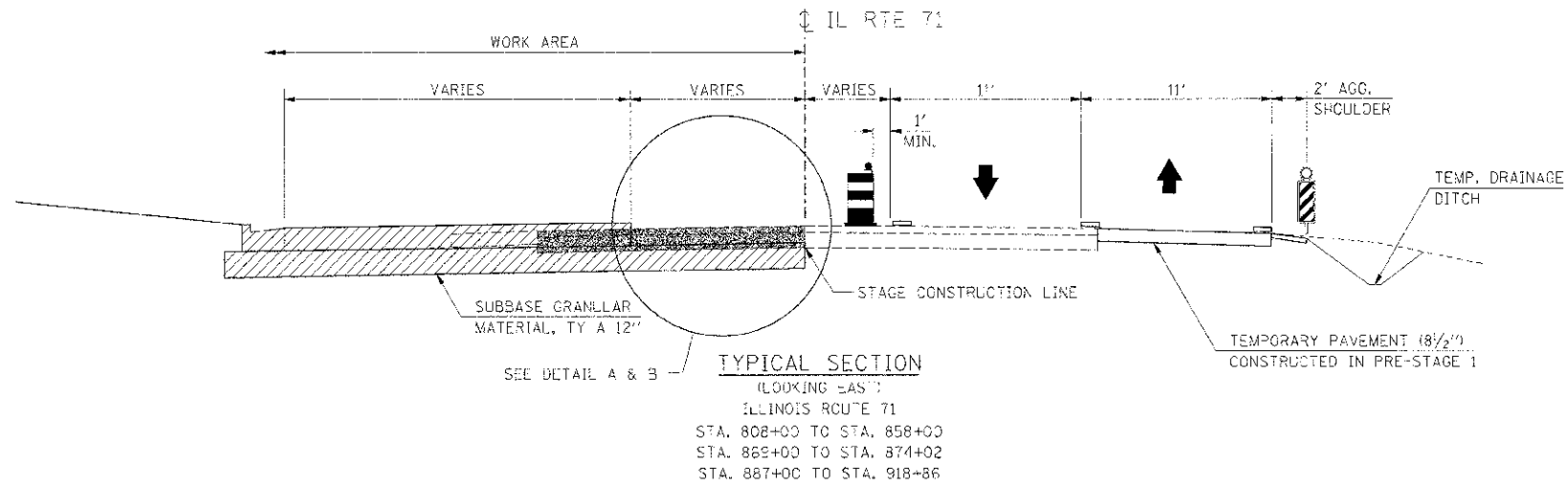



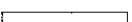

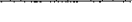



F.A.P. NO.	SECTION	COUNTY	TOTAL SHEETS	SHEET NO.
37	(1-1) R	KENDALL	51	123
STA.	TO STA.			
FED. ROAD DIST. NO.	ILLINOIS	FED. AID PROJEC		



LEGEND

-  VERTICAL PANEL
-  DRUM WITH STEADY BURNING LIGHT
-  TRAFFIC FLOW
-  PREVIOUS STAGE CONSTRUCTION
-  CURRENT STAGE CONSTRUCTION
-  PAVEMENT REMOVAL
-  TEMPORARY PAVEMENT MARKING

REVISIONS	
NAME	DATE

ILLINOIS DEPARTMENT OF TRANSPORTATION
MAINTENANCE OF TRAFFIC
STAGE 1
TYPICAL SECTIONS – MAINLINE

SCALE: NONE
DATE: 7/3/2012
DRAWN BY: AAD
CHECKED BY: RG