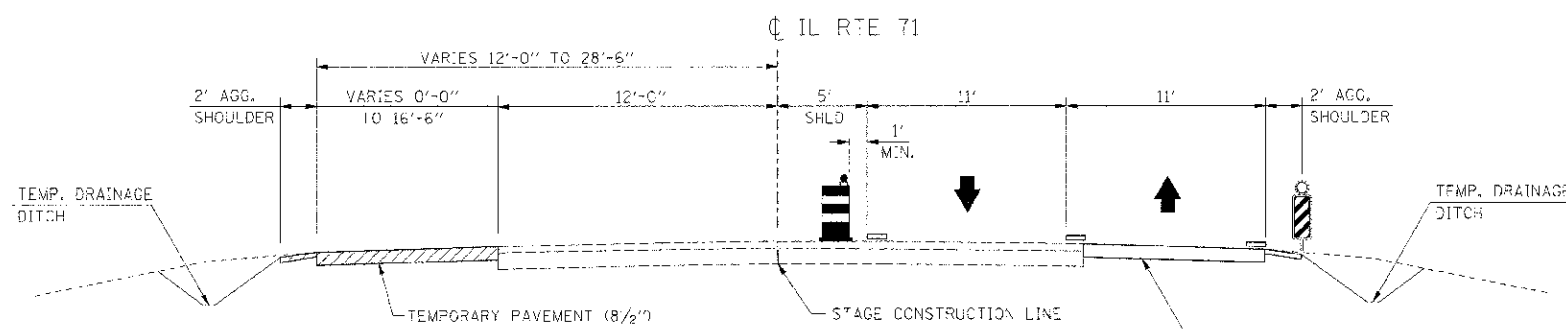
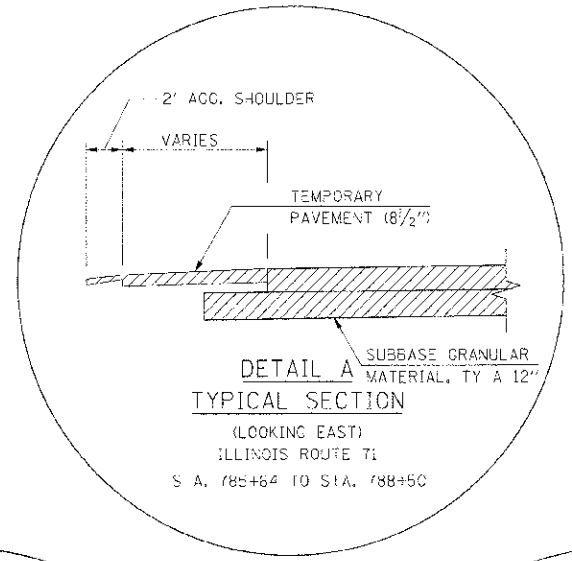


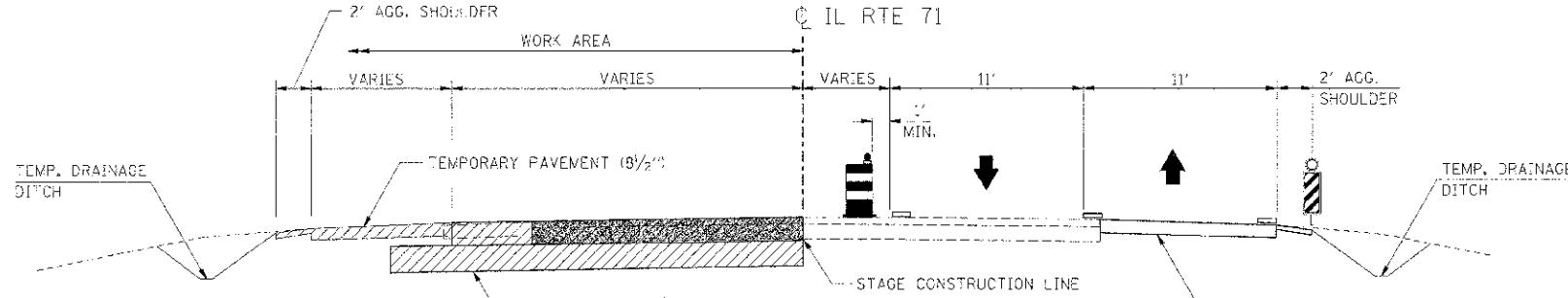
STATE	SECTION	COUNTY	TOTAL SHEETS	SHEET NO.
ILL.	(1-3) R	KENDALL	514	152
STA.	TO STA.			
FED. ROAD DIST. NO.	ILLINOIS	FED. AID PROJ. CL.		



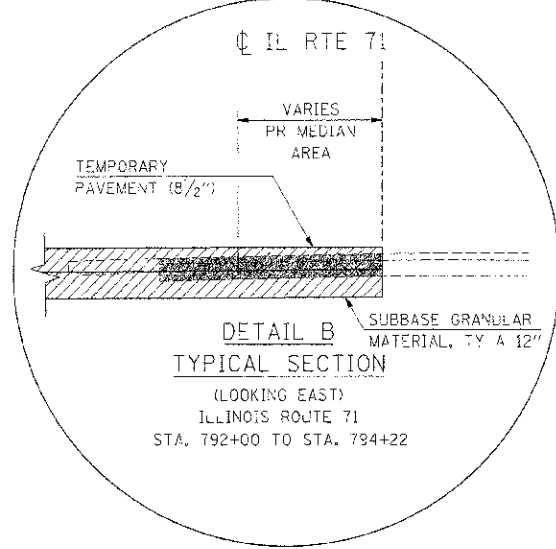
TYPICAL SECTION
(LOOKING EAST)
ILLINOIS ROUTE 71
STA. 774+45 TO STA. 780+45



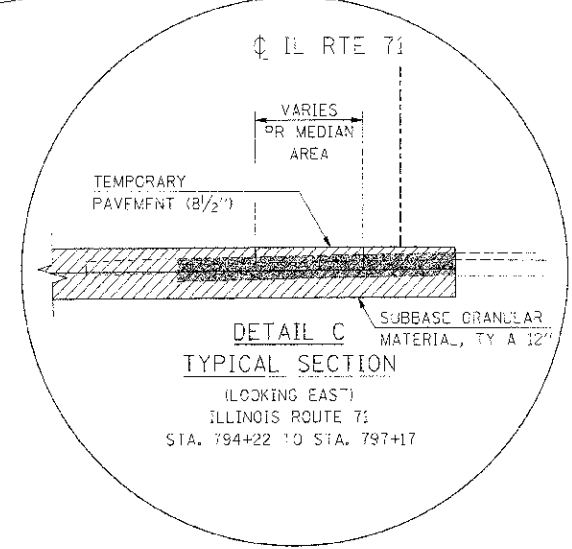
DETAIL A
TYPICAL SECTION
(LOOKING EAST)
ILLINOIS ROUTE 71
STA. 785+64 TO STA. 788+50



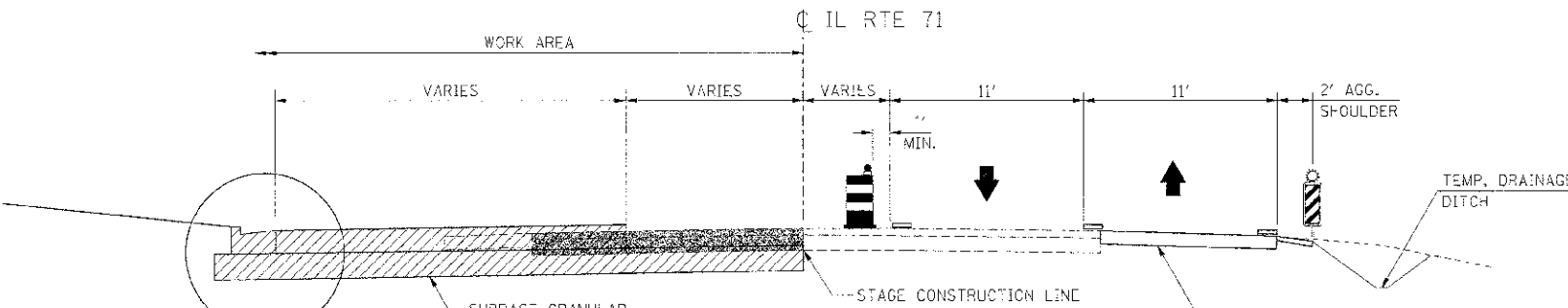
TYPICAL SECTION
(LOOKING EAST)
ILLINOIS ROUTE 71
STA. 780+45 TO STA. 785+64



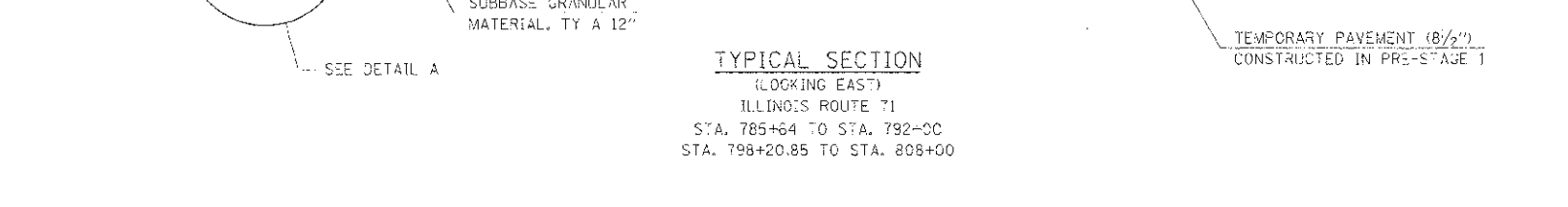
DETAIL B
TYPICAL SECTION
(LOOKING EAST)
ILLINOIS ROUTE 71
STA. 792+00 TO STA. 794+22



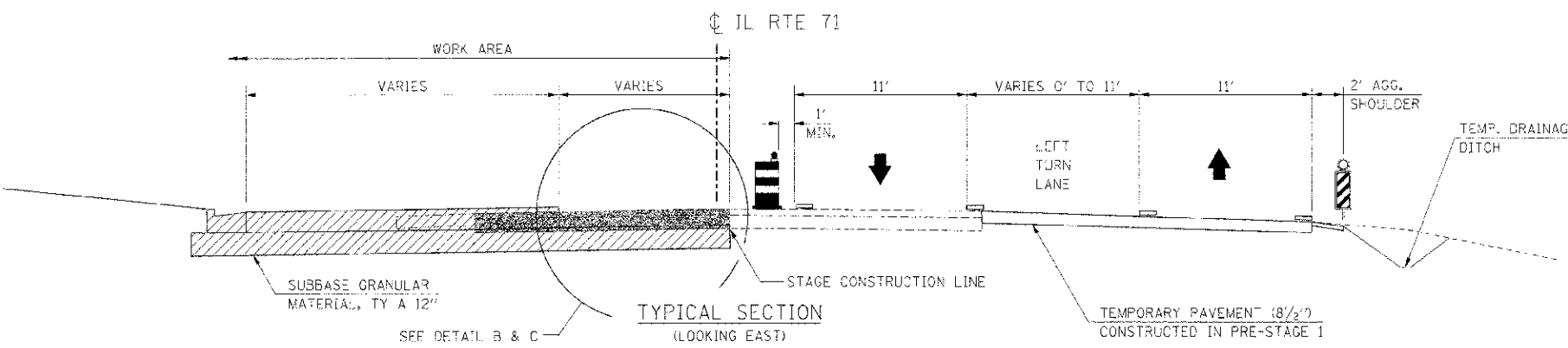
DETAIL C
TYPICAL SECTION
(LOOKING EAST)
ILLINOIS ROUTE 71
STA. 794+22 TO STA. 797+17



TYPICAL SECTION
(LOOKING EAST)
ILLINOIS ROUTE 71
STA. 785+64 TO STA. 792+00
STA. 798+20.85 TO STA. 808+00



TYPICAL SECTION
(LOOKING EAST)
ILLINOIS ROUTE 71
STA. 792+00 TO STA. 798+20.85



TYPICAL SECTION
(LOOKING EAST)
ILLINOIS ROUTE 71
STA. 792+00 TO STA. 798+20.85

LEGEND

- VERTICAL PANEL
- DRUM WITH STEADY BURNING LIGHT
- TRAFFIC FLOW
- PREVIOUS STAGE CONSTRUCTION
- CURRENT STAGE CONSTRUCTION
- PAVEMENT REMOVAL
- TEMPORARY PAVEMENT MARKING

REVISIONS	
NAME	DATE

ILLINOIS DEPARTMENT OF TRANSPORTATION
MAINTENANCE OF TRAFFIC
STAGE 4
TYPICAL SECTIONS - MAINLINE
SCALE: NONE
DATE: 7/3/2012
DRAWN BY: AAD
CHECKED BY: RC

IE PROJ: 6586025
 PLOT DATE: 7/3/2012
 FILE NAME: IASMPRECONCIVIL.ZIPLOT.T5.ARI.DWG