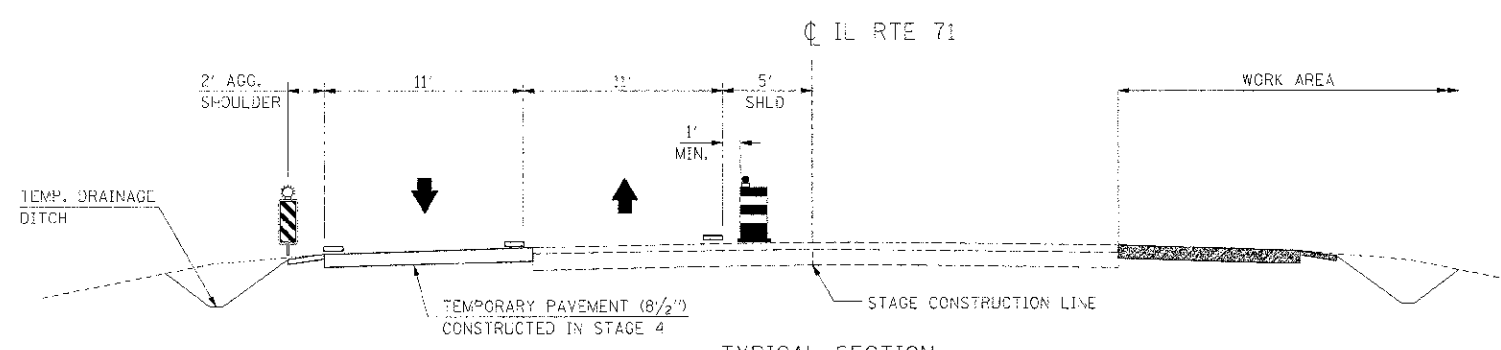
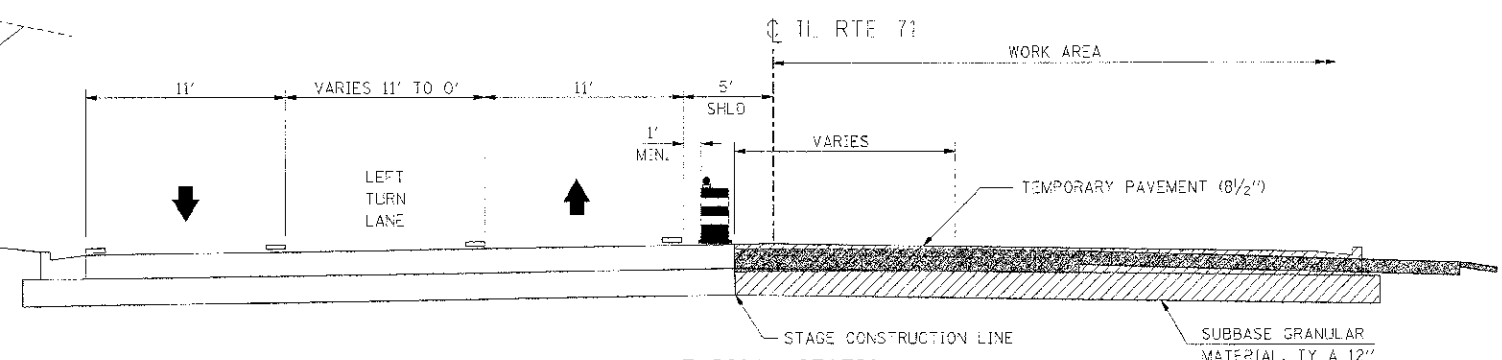


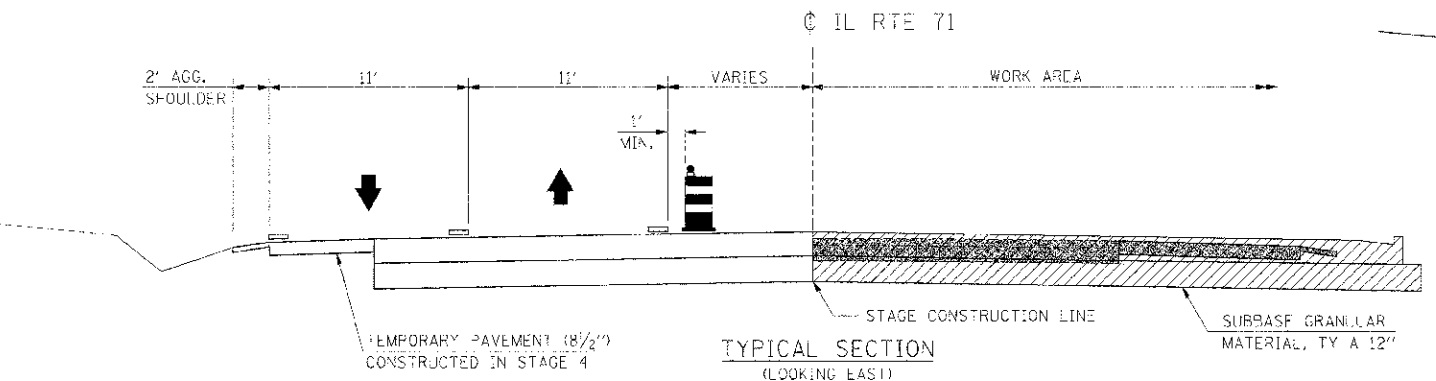
F.A.P. R.E.	SECTION	COUNTY	TOTAL SHEETS	SHEET NO.
311	(1-D) R	KENDALL	5:4	134
STA. TO STA.		ILLINOIS FED. AID PROJECT		



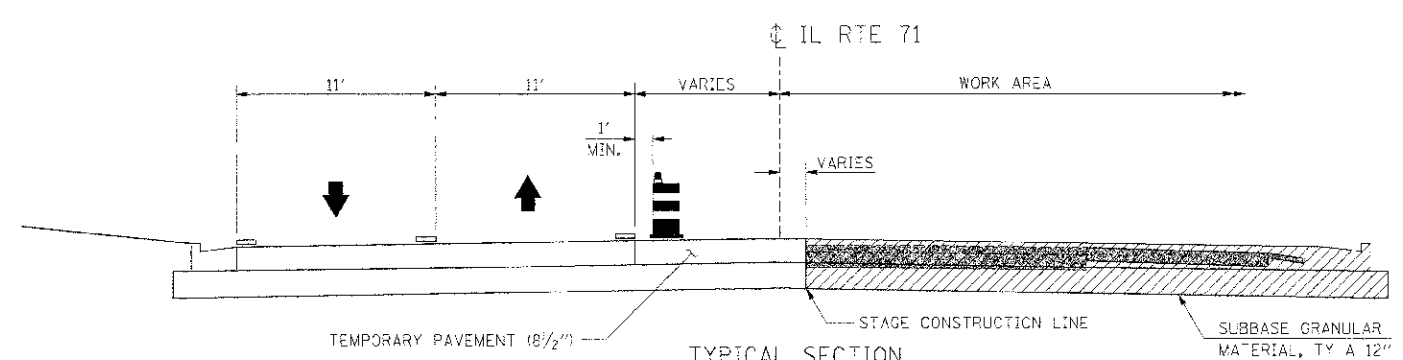
TYPICAL SECTION
(LOOKING EAST)
ILLINOIS ROUTE 71
STA. 774+45 TO STA. 780+45



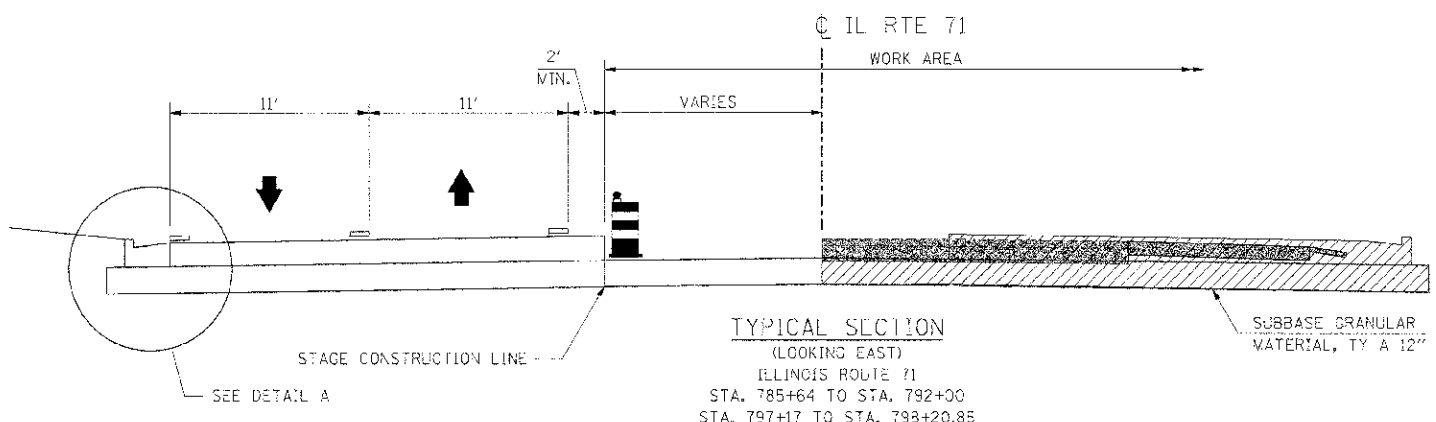
TYPICAL SECTION
(LOOKING EAST)
ILLINOIS ROUTE 71
STA. 798+20.85 TO STA. 805+25



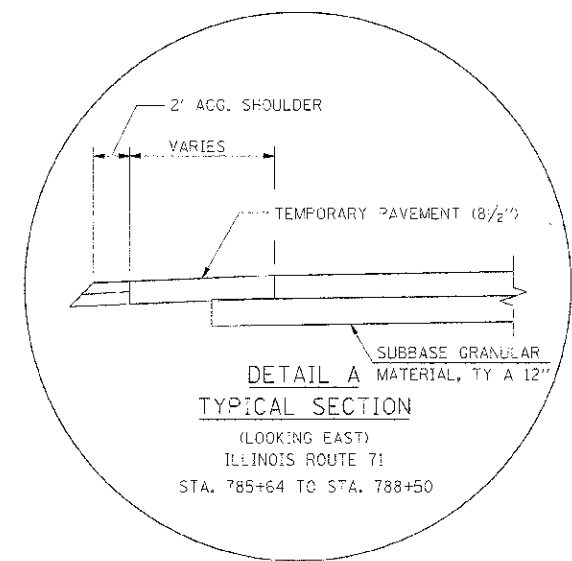
TYPICAL SECTION
(LOOKING EAST)
ILLINOIS ROUTE 71
STA. 780+45 TO STA. 785+64



TYPICAL SECTION
(LOOKING EAST)
ILLINOIS ROUTE 71
STA. 792+00 TO STA. 797+17



TYPICAL SECTION
(LOOKING EAST)
ILLINOIS ROUTE 71
STA. 785+64 TO STA. 792+00
STA. 797+17 TO STA. 798+20.85
STA. 805+25 TO STA. 808+00



LEGEND

- VERTICAL PANEL
- DRUM WITH STEADY BURNING LIGHT
- TRAFFIC FLOW
- PREVIOUS STAGE CONSTRUCTION
- CURRENT STAGE CONSTRUCTION
- PAVEMENT REMOVAL
- TEMPORARY PAVEMENT MARKING

REVISIONS	
NO.	DATE

ILLINOIS DEPARTMENT OF TRANSPORTATION
MAINTENANCE OF TRAFFIC
STAGE 5
TYPICAL SECTIONS - MAINLINE

SCALE: NONE
DATE 7/3/2012

DRAWN BY AAD
CHECKED BY RG

IE PROJ. # 05025
 PLOT DATE = 7/3/2012
 PLOT NAME = G:\305025\CHAL\11\1011_15_061.SW