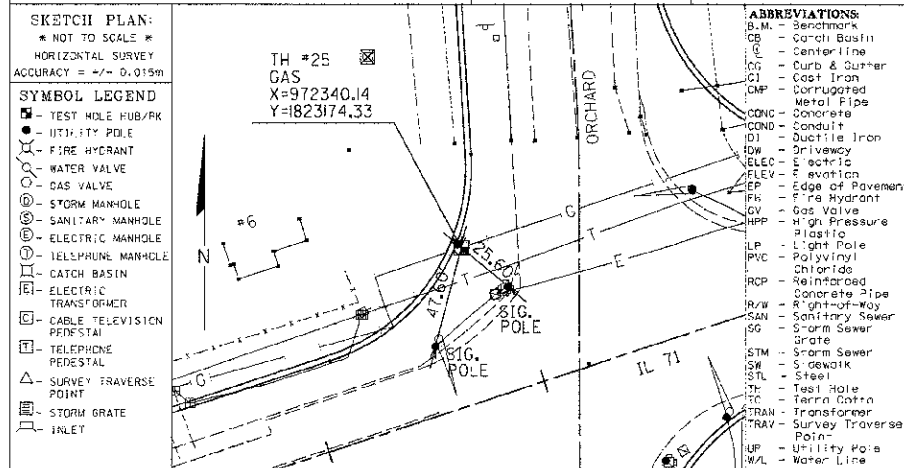


**geotrack**  
SUBSURFACE UTILITY ENGINEERING

735 N. Harvard  
Villa Park, IL 60181  
VOICE: (630)530-7609  
FAX: (630)530-8167

**Utility Location Report for Test Hole 25 in U.S. Survey Feet.**

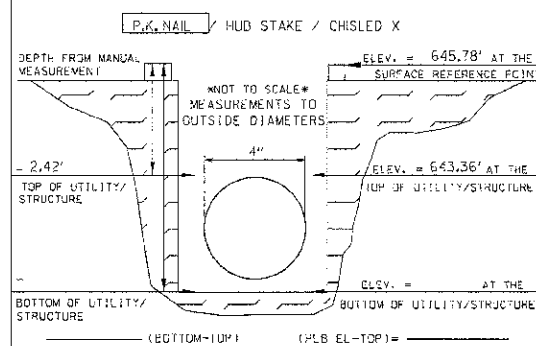
Pavement: N/A in. Asphalt N/A in. Concrete	Client: IDOT	Geotrack Job # 73812
Soil: Type CLAY Conditions SOFT	Contract # 93-048-01	Truck # 121
Utility: GAS Size: 4" Material: STEEL Cond: GOOD	Project # IL 71	Crew Chief JC
Was it found? YES At the requested location? YES	Name: OSWEGO	Drawn By GJL
Bench Mark: Name/No. BM#1 Elev. = 651.91	City: OSWEGO	Checked By GJL
Bench Mark: Name/No. Elev. =	County: KENDALL	Date 9/24/03
As shown on sheet 1 of 10 on the plans dated 1/4/03 and called SUE DESIG. SHTS.	State: ILLINOIS	



UTILITY OWNER: NICOR GAS  
REPRESENTATIVE: SUCCI STODDILL  
PHONE No: 1-630-983-8687 X2362  
FAX No:

**TEST HOLE PROFILE LOOKING EAST**

VERTICAL SURVEY ACCURACY = +/- 0.015m  
FLAGGING COLOR: YELLOW

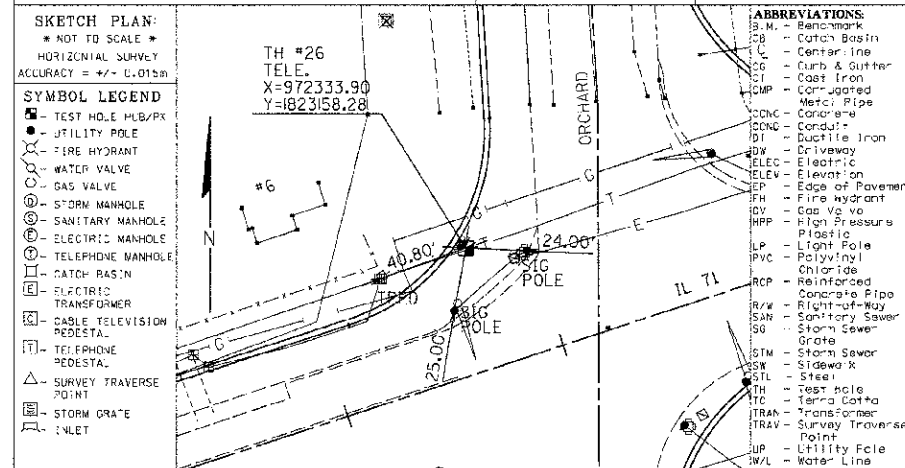


**geotrack**  
SUBSURFACE UTILITY ENGINEERING

735 N. Harvard  
Villa Park, IL 60181  
VOICE: (630)530-7609  
FAX: (630)530-8167

**Utility Location Report for Test Hole 26 in U.S. Survey Feet.**

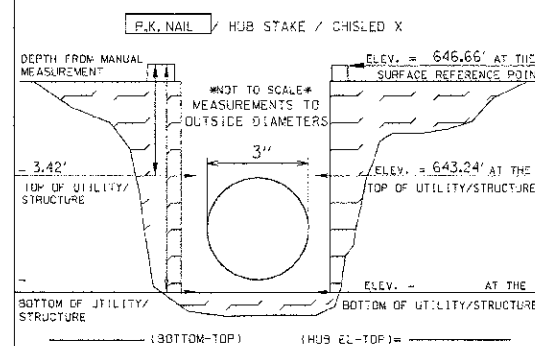
Pavement: N/A in. Asphalt N/A in. Concrete	Client: IDOT	Geotrack Job # 73812
Soil: Type CLAY Conditions SOFT	Contract # 93-048-01	Truck # 121
Utility: TELE Size: 3" Material: CABLE Cond: GOOD	Project # IL 71	Crew Chief JC
Was it found? YES At the requested location? YES	Name: OSWEGO	Drawn By GJL
Bench Mark: Name/No. BM#1 Elev. = 651.91	City: OSWEGO	Checked By GJL
Bench Mark: Name/No. Elev. =	County: KENDALL	Date 9/28/03
As shown on sheet 1 of 10 on the plans dated 1/4/03 and called SUE DESIG. SHTS.	State: ILLINOIS	



UTILITY OWNER: SBC  
REPRESENTATIVE:  
PHONE No:  
FAX No:

**TEST HOLE PROFILE LOOKING EAST**

VERTICAL SURVEY ACCURACY = +/- 0.015m  
FLAGGING COLOR: ORANGE

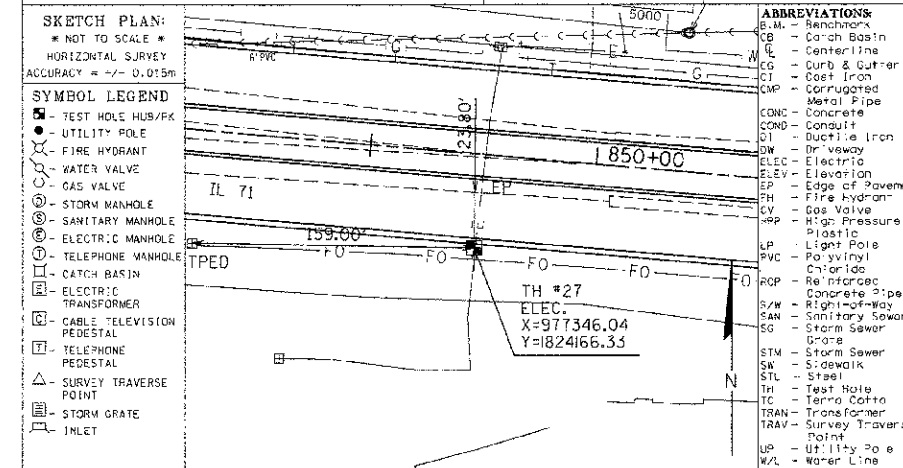


**geotrack**  
SUBSURFACE UTILITY ENGINEERING

735 N. Harvard  
Villa Park, IL 60181  
VOICE: (630)530-7609  
FAX: (630)530-8167

**Utility Location Report for Test Hole 27 in U.S. Survey Feet.**

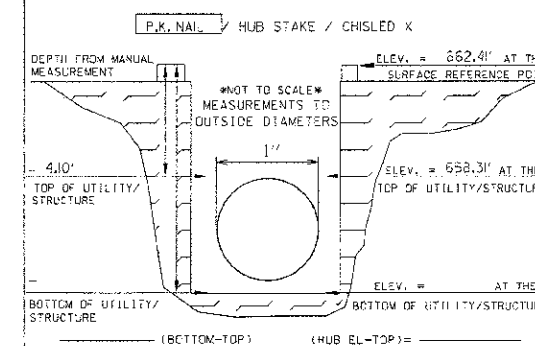
Pavement: N/A in. Asphalt N/A in. Concrete	Client: IDOT	Geotrack Job # 73812
Soil: Type CLAY Conditions HARD	Contract # 93-048-01	Truck # 121
Utility: ELEC Size: 1" Material: CABLE Cond: GOOD	Project # IL 71	Crew Chief JC
Was it found? YES At the requested location? YES	Name: OSWEGO	Drawn By GJL
Bench Mark: Name/No. BM#1 Elev. = 651.91	City: OSWEGO	Checked By GJL
Bench Mark: Name/No. Elev. =	County: KENDALL	Date 9/24/03
As shown on sheet 4 of 10 on the plans dated 1/4/03 and called SUE DESIG. SHTS.	State: ILLINOIS	



UTILITY OWNER: COM-ED  
REPRESENTATIVE: JERRY KUEMPEL  
PHONE No: 1-630-437-2212  
FAX No:

**TEST HOLE PROFILE LOOKING NORTH**

VERTICAL SURVEY ACCURACY = +/- 0.015m  
FLAGGING COLOR: RED



REVISIONS	
NAME	DATE

ILLINOIS DEPARTMENT OF TRANSPORTATION  
**S.U.E. TEST HOLE DATA SHEETS**  
**TEST HOLE NOS. 25 - 27**  
SCALE: VERT.      DRAWN BY SAE  
          HORIZ.      CHECKED BY WED  
DATE 7/5/2012

TUE PROJ: 0318014  
PLOT DATE: 7/5/2012  
FILE NAME: p:\net\1\...\_data\dist\oswego\phase 1\TESTHOLE\_9.dgn