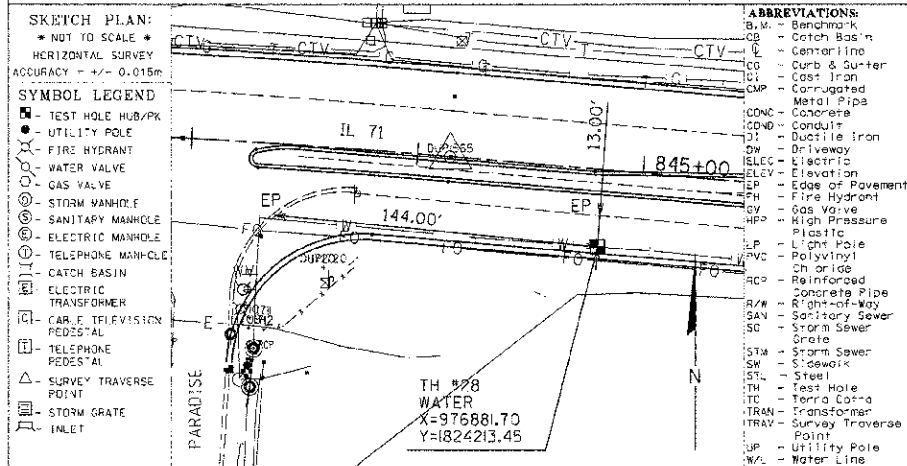


F.A.P. NO.	SECTION	COUNTY	TOTAL SHEETS	SHEET NO.
3:1	(1-1R)	KENDALL	5:4	282
STA.		TO STA.		
FED. ROAD DIST. NO.		ILLINOIS FED. AID PROJECT		

geotrack
SUBSURFACE UTILITY ENGINEERING

Utility Location Report for Test Hole 28 in U.S. Survey Feet.

Pavement: N/A in. Asphalt N/A in. Concrete Client: IDOT Geotrack Job # 73812
 Soil: Type CLAY Conditions HARD Truck # 121
 Utility: WATER Size: 12" Material: D.I. Cond: GOOD Contract # 93-048-01
 Was it found? YES At the requested location? YES Project # IL 71
 Name: IL 71 Drawn By JC
 Bench Mark: Name/No. BM#1 Elev. = 651.91 City: OSWEGO Checked By GJL
 Bench Mark: Name/No. BM#1 Elev. = 651.91 County: KENDALL Date 9/24/03
 As shown on sheet 4 of 10 on the plans State: ILLINOIS
 dated 11/4/03 and called SUE DESIG. SHTS.

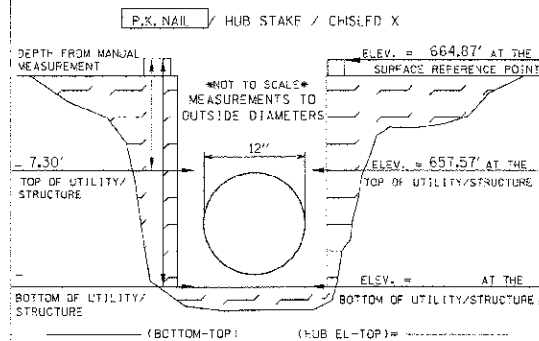


UTILITY OWNER: VILLAGE OF OSWEGO
 REPRESENTATIVE: JERRY WEAVER
 PHONE No.: 1-630-554-3242
 FAX No.: 1-630-551-4854

CERTIFICATION:
 I hereby certify that the information shown hereon is correct to the best of my knowledge and belief.

TEST HOLE PROFILE LOOKING WEST

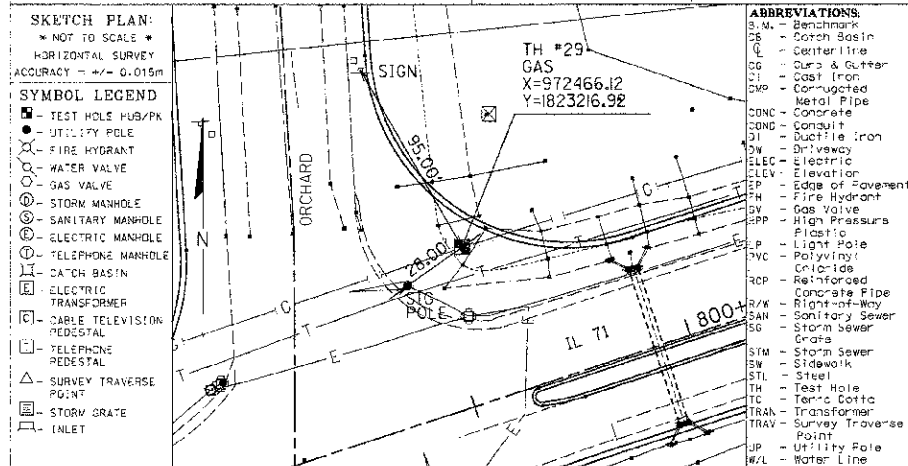
VERTICAL SURVEY ACCURACY = +/- 0.015m
 FLAGGING COLOR BLUE



geotrack
SUBSURFACE UTILITY ENGINEERING

Utility Location Report for Test Hole 29 in U.S. Survey Feet.

Pavement: N/A in. Asphalt N/A in. Concrete Client: IDOT Geotrack Job # 73812
 Soil: Type CLAY Conditions HARD Truck # 121
 Utility: GAS Size: 4" Material: STL Cond: GOOD Contract # 93-048-01
 Was it found? YES At the requested location? YES Project # IL 71
 Name: IL 71 Drawn By JC
 Bench Mark: Name/No. BM#1 Elev. = 651.91 City: OSWEGO Checked By GJL
 Bench Mark: Name/No. BM#1 Elev. = 651.91 County: KENDALL Date 9/22/03
 As shown on sheet 1 of 10 on the plans State: ILLINOIS
 dated 11/4/03 and called SUE DESIG. SHTS.

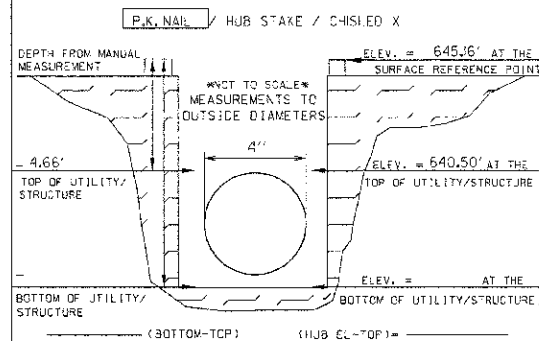


UTILITY OWNER: NICOR GAS
 REPRESENTATIVE: SCOTT STOGSDILL
 PHONE No.: 1-630-983-8687 X2362
 FAX No.:

CERTIFICATION:
 I hereby certify that the information shown hereon is correct to the best of my knowledge and belief.

TEST HOLE PROFILE LOOKING WEST

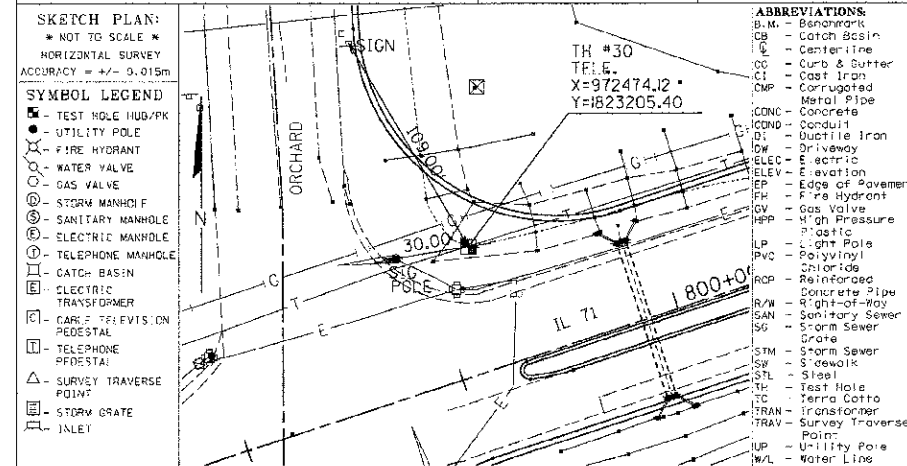
VERTICAL SURVEY ACCURACY = +/- 0.015m
 FLAGGING COLOR YELLOW



geotrack
SUBSURFACE UTILITY ENGINEERING

Utility Location Report for Test Hole 30 in U.S. Survey Feet.

Pavement: N/A in. Asphalt N/A in. Concrete Client: IDOT Geotrack Job # 73812
 Soil: Type CLAY Conditions HARD Truck # 121
 Utility: TELE Size: 3" Material: CABLE Cond: GOOD Contract # 93-048-01
 Was it found? YES At the requested location? YES Project # IL 71
 Name: IL 71 Drawn By JC
 Bench Mark: Name/No. BM#1 Elev. = 651.91 City: OSWEGO Checked By GJL
 Bench Mark: Name/No. BM#1 Elev. = 651.91 County: KENDALL Date 9/22/03
 As shown on sheet 1 of 10 on the plans State: ILLINOIS
 dated 11/4/03 and called SUE DESIG. SHTS.

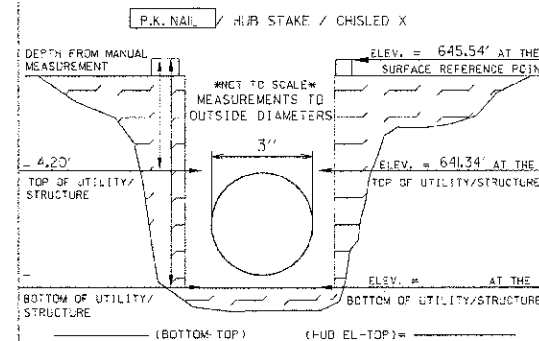


UTILITY OWNER: SBC
 REPRESENTATIVE:
 PHONE No.:
 FAX No.:

CERTIFICATION:
 I hereby certify that the information shown hereon is correct to the best of my knowledge and belief.

TEST HOLE PROFILE LOOKING WEST

VERTICAL SURVEY ACCURACY = +/- 0.015m
 FLAGGING COLOR ORANGE



REVISIONS	
NAME	DATE

ILLINOIS DEPARTMENT OF TRANSPORTATION

S.U.E. TEST HOLE DATA SHEETS
TEST HOLE NOS. 28 - 30

SCALE: VERT.
 HORIZ.
 DATE 7/5/2012 DRAWN BY SAE
 CHECKED BY MED